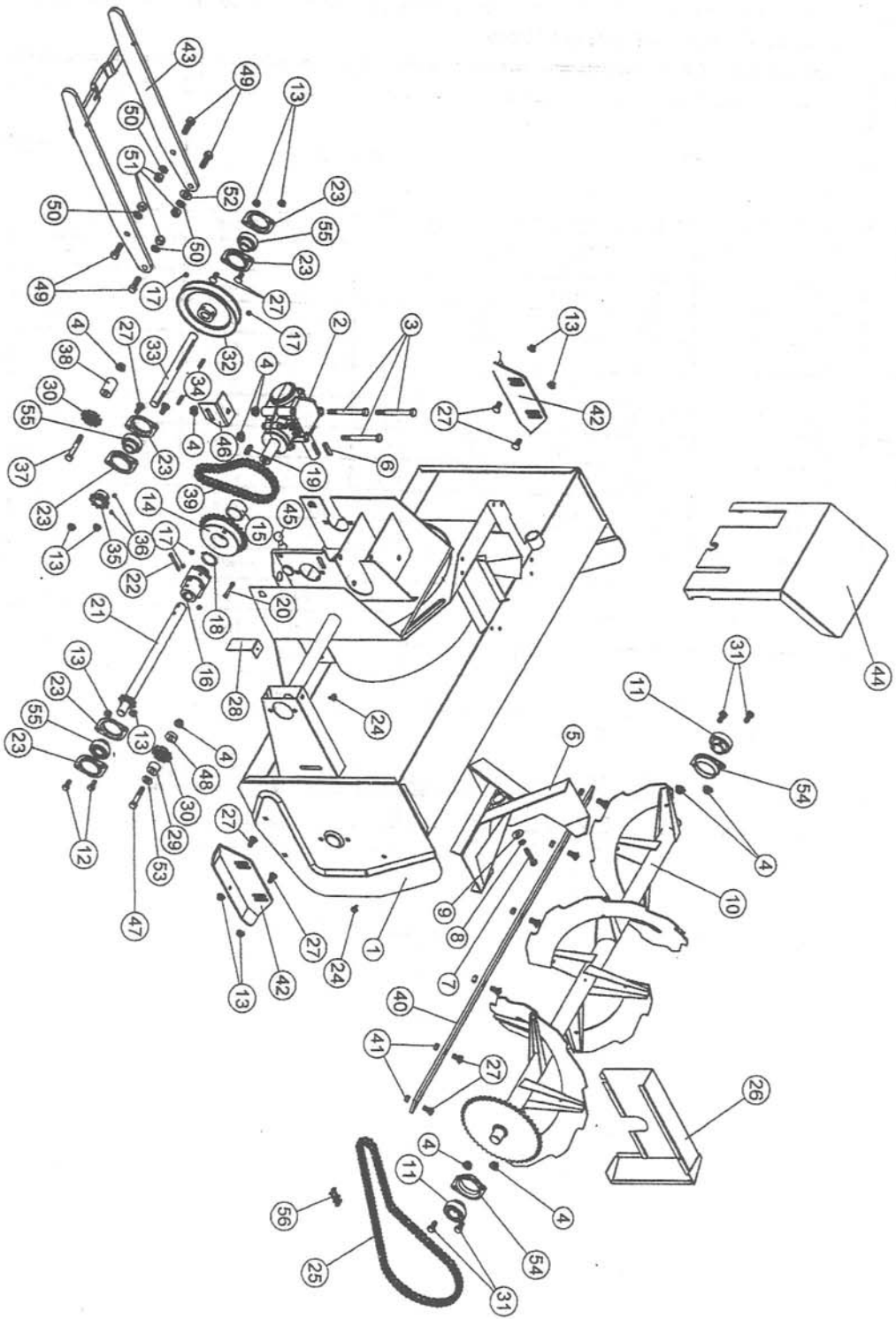


PARTS BREAKDOWN SNOWBLOWER HEAD



PARTS LIST

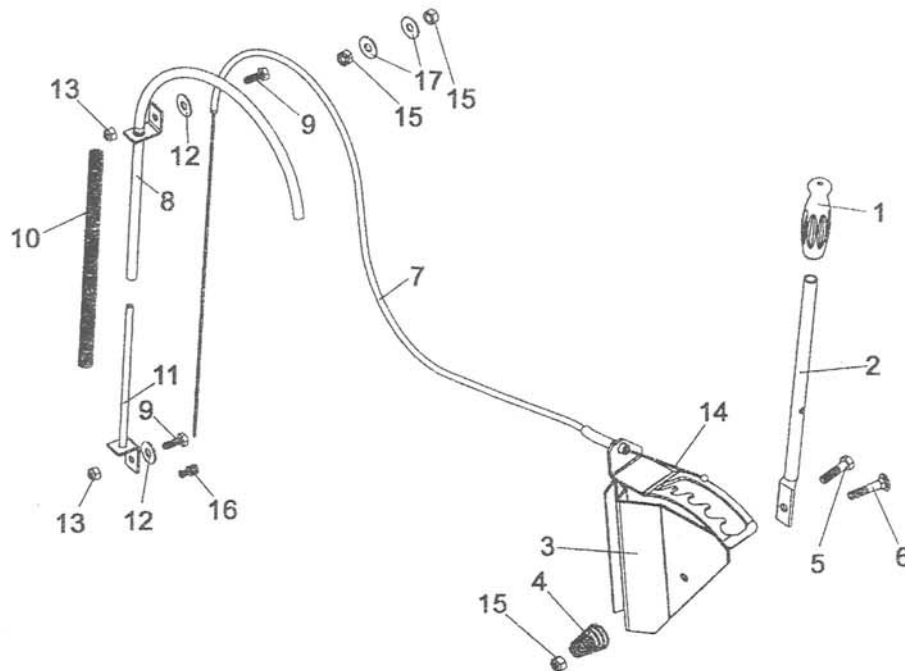
Reference	Description	Qty	Part #
1	Frame 40"	1	102555
	Frame 44"	1	102560
2	Gear box	1	102029
3	Bolt 3/8" x 4"	3	O/L
4	Flange nut 3/8"	9	O/L
5	Fan	1	102001
6	Key 8 x 7 x 35 mm	1	102035
7	Bolt 8 mm x 1.25 x 25 mm	1	O/L
8	Lock washer 5/16"	1	O/L
9	Flat washer 3/8" hole	1	O/L
10	Auger 40"	1	102000
	Auger 44"	1	102100
11	Flushmount bearing 1.00" w/set screw	2	102755
12	Hex bolt 5/16" x 3/4"	2	O/L
13	Flange nut 5/16"	10	O/L
14	Sprocket	1	102032
15	Bushing	1	102033
16	Shear plate	1	102008
17	Socket set screw 5/16" nc x 5/16"	4	O/L
18	Snap ring	1	102034
19	Key 8 x 7 x 25 mm	1	102030
20	Shear bolt/N.I. Locknut 5 x .8 x 40 mm (Impeller)	1	102036
21	Drive shaft 40"	1	102037
	Drive shaft 44"	1	102096
22	Shear bolt/N.I. Locknut 5 x .8 x 45 mm (auger)	1	102038
23	Flangette	6	102212
24	Self tapping screw 1/4" x 1/2"	2	O/L
25	Chain roller # 40 x 92 links/connecting link	1	102022
26	Chain guard	1	102698
27	Carriage bolt 5/16" x 3/4"	14	O/L
28	Chain guard	1	102041
29	Idler spacer	1	102242

PARTS LIST (continued)

Reference	Description	Qty	Part #
30	Idler sprocket	2	102027
31	Hex bolt 3/8" x 3/4"	4	O/L
32	Pulley	1	102043
33	Drive shaft	1	102044
34	Key 3/16 x 3/16 x 1"	2	102026
35	Sprocket	1	102045
36	Socket set screw 1/4" x 1/4"	2	O/L
37	Hex bolt 3/8" x 2 1/2 "	1	O/L
38	Idler spacer	1	102046
39	Chain roller # 40 x 40 links O-ring endless	1	102297
40	Cutting edge 40"	1	102047
	Cutting edge 44"	1	102101
41	Flock nut 5/16"	6	O/L
42	Skid shoe	2	103188
43	Male hitch	1	102319
44	Reduction cover	1	102556
45	Rubber Latch	1	102547
46	Reinforcing bracket	1	102456
47	Hex bolt 3/8" x 2"	1	O/L
48	Idler spacer	1	102241
49	Hex bolt 7/16" x 1 1/4"	4	O/L
50	Lock washer 7/16	4	O/L
51	Nylon insert lock nut 7/16"	4	O/L
52	Flat washer 1/2 ø hole	1	O/L
53	Flat washer 7/16 øhole	1	O/L
54	Flangette	2	102680
55	Bearing 3/4" w/set screw	3	102864
56	Connecting link # 40	1	102040
57	Decal	1	102129
58	Danger decal	2	102126
59	Warning decal	1	102124
60	Decal Danger	1	102128
61	Decal BERCO	1	102471

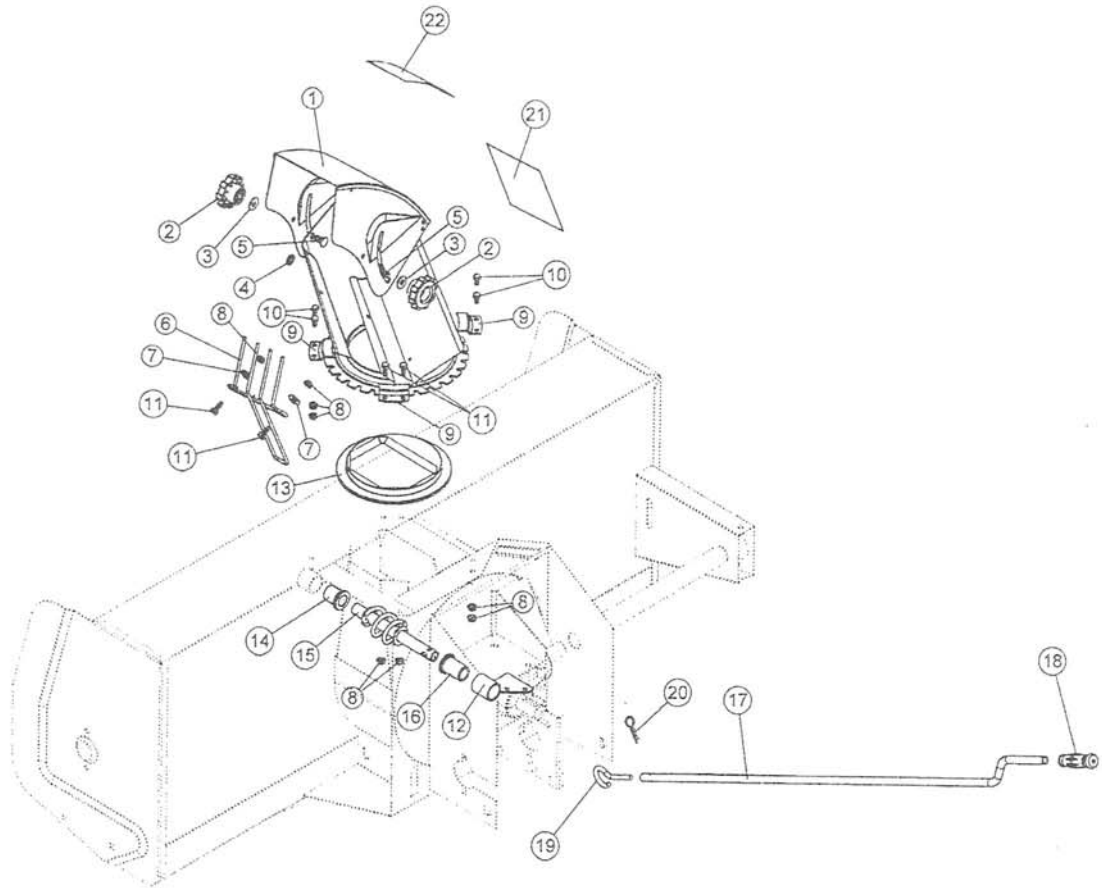
O/L= Obtained locally

CHUTE DEFLECTOR KIT (OPTION)



REF.	DESCRIPTION	QTY.	PART NO.
1	Handle grip	1	102062
2	Arm	1	103155
3	Arm support	1	103152
4	Cone spring	1	102302
5	Hex bolt 5/16 x 1 1/4"	1	O/L
6	Carriage bolt 5/16 x 1 1/2"	1	O/L
7	Cable shield	1	102539
8	Top actuator	1	103153
9	Hex bolt 1/4 x 3/4"	2	O/L
10	Compression spring	1	102301
11	Bottom actuator	1	103154
12	Flat washer 5/16"	2	O/L
13	Nylon insert locknut 1/4"	2	O/L
14	Inner cable	1	103039
15	Nylon insert locknut 5/16"	3	O/L
16	Wire stop	1	103150
17	Nylon washer 11/32"	2	102009

PARTS BREAKDOWN ROTATION SYSTEM WITH CHUTE



PARTS LIST

Reference	Description	Qty	Part #
1	Chute	1	102058
2	Knob	2	102020
3	Nylon flat washer 11/32"	2	102009
4	Nylon flat washer 7/16	2	102011
5	Carriage bolt 5/16" x 3/4"	2	O/L
6	Hand guard	1	102012
7	Flat washer 5/16 ϕ hole	2	O/L
8	Flange nut 1/4"	10	O/L
9	Retaining plate	4	102007
10	Hex bolt 1/4" x 1/2"	6	O/L
11	Hex bolt 1/4" x 3/4"	4	O/L
12	Worm support	1	102014
13	Rotation ring	1	102016
14	Rotation bushing	1	102060
15	Rotation worm	1	102005
16	Rotation bushing	1	102059
17	Handle	1	102061
18	Handle grip	1	102062
19	Handle hook	1	102006
20	Hair pin 2.5 mm	1	102013
21	Warning decal	1	102125
22	Danger decal	1	102127