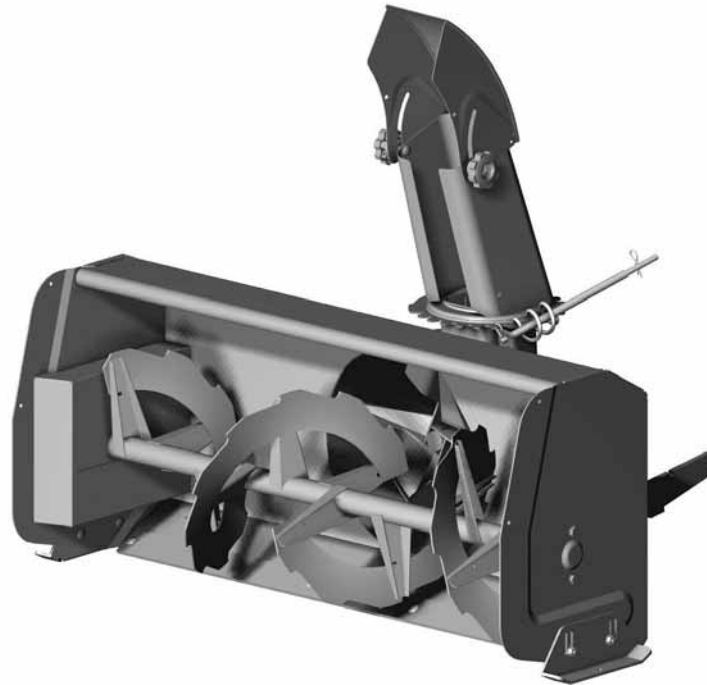




OWNER'S MANUAL
Model Number
700255-1



Berco
Compact Two Stage 40" Snowblower
For
LAWN AND YARD TRACTORS

- * ASSEMBLY
- * OPERATION

- * REPAIR PARTS
- * MAINTENANCE

CAUTION:

**READ & FOLLOW ALL SAFETY RULES & INSTRUCTIONS BEFORE
OPERATING YOUR EQUIPMENT**

WARRANTY

LIMITED ONE YEAR ON BERCO TRACTOR ATTACHMENTS

For one year from date of purchase, Bercomac Limitée will repair or replace free of charge at Bercomac's option, any parts which are defective as a result of defective materials or faulty workmanship.

COMMERCIAL OR RENTAL USE:

Warranty on Berco attachments used for commercial or rental purposes is limited to 90 days.

This warranty does NOT cover:

- * Wear items, such as shear pins and belts.
- * Repairs due to customer abuse or neglect.
- * Pre-delivery set-up.
- * In home service.

Warranty service is available by returning the "Berco" attachment to the authorized dealer.

BERCOMAC Limitée
46 Fortin N, Adstock, Québec, Canada, G0N 1S0

TABLE OF CONTENTS

| | Page |
|---------------------------------------|------|
| INTRODUCTION | 2 |
| SAFETY PRECAUTIONS | 3 |
| SAFETY DECALS | 5 |
| ASSEMBLY | |
| Step 1: Snowblower Preparation | 6 |
| Step 2: Snowblower Installation | 8 |
| OPERATION | |
| Snowblower Operation | 10 |
| Controls | 10 |
| Snow Removal | 10 |
| Snow Removal Methods | 11 |
| MAINTENANCE | |
| Maintenance | 12 |
| Adjustments | 12 |
| Lubrication | 12 |
| Cutting Edge Maintenance | 12 |
| Shear Bolt & Pin Replacement | 12 |
| End of Season Storage | 12 |
| Belt Replacement | 13 |
| DISMOUNTING | |
| Snowblower Dismounting | 14 |
| TROUBLESHOOTING | 15 |
| TORQUE SPECIFICATION TABLE | 17 |
| PARTS BREAKDOWN & LISTS | |
| Chute with Rotation System | 18 |
| Snowblower | 20 |
| OPTIONS & ATTACHMENTS | 23 |

INTRODUCTION

TO THE PURCHASER

This new attachment was carefully designed to give years of dependable service. This manual has been provided to assist in the safe operation and servicing of your attachment.

NOTE: All photographs and illustrations in the manual may not necessarily depict the actual models or attachment, but are intended for reference only and are based on the latest product information available at the time of publication.

Familiarize yourself fully with the safety recommendations and operating procedures before putting the machine to use. Carefully read, understand and follow these recommendations and insist that they be followed by those who will use this attachment.

9

THIS SAFETY ALERT SYMBOL IDENTIFIES AN IMPORTANT SAFETY MESSAGE IN THIS MANUAL THAT HELPS YOU AND OTHERS AVOID PERSONAL INJURY OR EVEN DEATH. DANGER, WARNING, AND CAUTION ARE SIGNAL WORDS USED TO IDENTIFY THE LEVEL OF HAZARD. HOWEVER, REGARDLESS OF THE HAZARD, BE EXTREMELY CAREFUL.

DANGER: Signals an extreme hazard that will cause serious injury or death if recommended precautions are not followed.

WARNING: Signals a hazard that may cause serious injury or death if the recommended precautions are not followed.

CAUTION: Signals a hazard that may cause minor or moderate injury if the recommended precautions are not followed.

Record your attachment serial number and purchase date in the section reserved below (there is no serial number on the subframe). Your dealer requires this information to give you prompt, efficient service when ordering replacement parts . Use only genuine parts when replacements are required.

If warranty repairs are required please present this registration booklet and original sales invoice to your selling dealer for warranty service.

This manual should be kept for future reference.

SERIAL NUMBER : _____

PURCHASE DATE : _____

In this manual, right and left sides are determined by sitting on the tractor seat facing forward.

In this manual, "attachment" means accessories that you install on the tractor, such as, snowblower, rotary broom, blade, rotary tiller, cab, subframe, etc...

SAFETY PRECAUTIONS

Careful operation is your best insurance against an accident. Read this section carefully before operating the tractor and snowblower. All operators, no matter how experienced they may be, should read this and other manuals related to the tractor and snowblower before operating. It is the owner's legal obligation to instruct all operators in safe operation of the snowblower.

TRAINING

9

This symbol, "Safety Alert Symbol", is used throughout this manual and on the snowblower's safety labels to warn of the possibility of personal injury. Please take special care in reading and understanding the safety precautions before operating the snowblower or the tractor.

1. Read this owner's manual carefully. Be thoroughly familiar with the controls and proper use of the snowblower. Know how to stop the unit and disengage the controls quickly.
2. Never allow children to operate snowblower. Never allow adults to operate snowblower without proper instructions.
3. No one should operate the unit while intoxicated or while taking medication that impairs the senses or reactions.
4. Keep the area of operation clear of all persons, particularly small children and pets.

PREPARATION

1. Thoroughly inspect the area where the snowblower is to be used and remove door mats, all foreign objects and the like.
2. Disengage all clutches and shift into neutral before starting engine.
3. Do not operate the snowblower without wearing adequate winter outer garments. Wear footwear that will improve footing on slippery surfaces.
4. Handle fuel with care, it is highly flammable.
 - a) Use approved fuel container.
 - b) Never add fuel to a running engine or hot engine.
 - c) Fill fuel tank outdoors with extreme care. Never fill fuel tank indoors.
 - d) Replace fuel cap securely and wipe up spilled fuel.
5. Adjust the height of the snowblower to clear gravel or crushed rock surface.

6. Never attempt to make any adjustments while the engine (motor) is running (except when specifically recommended by manufacturer).
7. Let engine (motor), tractor and snowblower adjust to outdoor temperatures before starting to clear snow.
8. Always wear safety glasses or eye shields during operation or while performing an adjustment or repair to protect eyes from foreign objects that may be thrown from the machine.

OPERATION

1. Do not put hands or feet near or under rotating parts. Keep clear of the discharge opening at all times.
2. Exercise extreme caution when operating on or crossing gravel drives, walks, or roads. Stay alert for hidden hazards or traffic. Do not carry passengers.
3. After striking a foreign object, stop the engine (motor), disconnect the wire from the spark plug(s) and keep wire away to prevent accidental starting. Thoroughly inspect the snowblower for any damage and repair damage before restarting and operating the snowblower.
4. If the unit should start to vibrate abnormally, stop the engine (motor) and check immediately for the cause. Vibration is generally a warning of trouble.
5. Stop the engine (motor) whenever you leave the operating position.
6. Take all possible precautions when leaving the machine unattended. Disengage the power take-off, lower the attachment, set the parking brake, stop the engine and remove the key.
7. When cleaning, unclogging, repairing or inspecting, make certain the collector/impeller and all moving parts have stopped. Disconnect wire from the spark plug(s) and keep wire away to prevent accidental starting.

SAFETY PRECAUTIONS

8. Do not run the engine indoors, except when starting the engine and for transporting the snowblower in or out of the building. Do not operate or let motor run in a storage area without ventilation because gas contains carbon monoxide which is odourless, colorless and can cause death.
9. Do not clear snow across the face of slopes. Exercise extreme caution when changing direction on slopes. Do not attempt to clear steep slopes.
10. Never operate the snowblower without proper guards, plates, or other safety protective devices in place
11. Never operate the snowblower near glass enclosures, automobiles, window wells, drop-offs, and the like without proper adjustment of the snow discharge angle. Keep children and pets away.
12. Do not overload the machine capacity by attempting to clear snow at too fast a rate.
13. Never operate the snowblower at high transport speeds on slippery surfaces. Use care when backing.
14. Never direct discharge at bystanders or allow anyone in the clearance area.
15. Disengage power to the collector/impeller when the snowblower is transported or not in use.
16. Use only accessories approved by the manufacturer of the tractor (such as wheel chains, counterweights, cabs and the like).
17. Never operate the snowblower without good visibility or light.

MAINTENANCE AND STORAGE

1. Check shear bolts, engine mounting bolts, and other bolts at frequent intervals for proper tightness to be sure the snowblower is in safe working condition.
2. Never store the machine with fuel in the fuel tank inside a building where ignition sources are present such as hot water and space heaters, clothes dryers, and the like. Allow the engine to cool before storing in any enclosure.
3. Always refer to the operator's guide instructions when you store the snowblower.
4. Maintain or replace safety and instruction labels, as necessary.
5. Run the snowblower a few minutes after throwing snow to prevent freeze-up of the collector/impeller

WHENEVER YOU SEE THIS SYMBOL

9

IT MEANS:

WARNING!

BECOME ALERT !

YOUR SAFETY IS INVOLVED!

SAFETY DECALS

REPLACE IF DECALS ARE DAMAGED
SEE PARTS BREAKDOWN FOR DECAL LOCATION



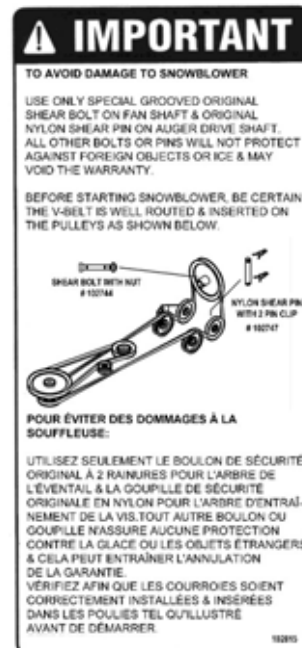
Decal # 102125



Decal # 102126



Decal # 102127



Decal # 102815

ASSEMBLY

STEP 1

SNOWBLOWER PREPARATION:

Remove the belt guard (item 1) from the snowblower.

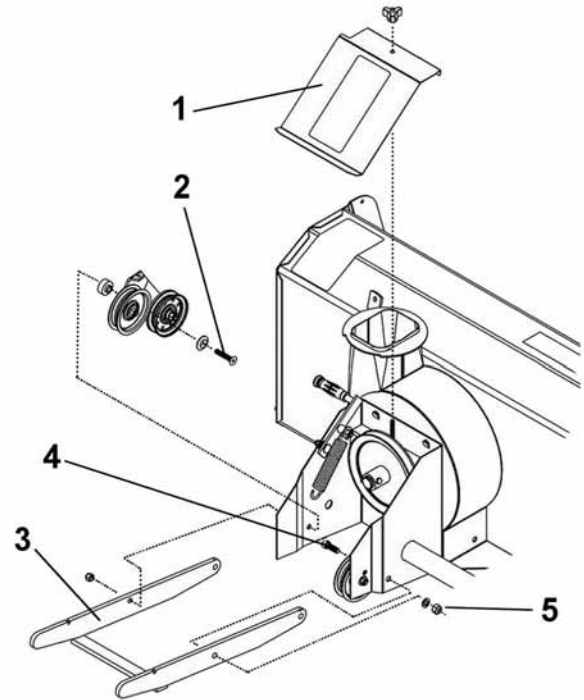
Remove the bolt (item 2) securing the tension lever.

Install the male quick hitch (item 3) to the snowblower and the tension lever with the bolt previously removed.

Be sure to reinstall the tension lever as removed and that it moves freely.

Use three 7/16 x 1 1/4" hex bolts (item 4), lock washers and nylon insert locknuts (item 5).

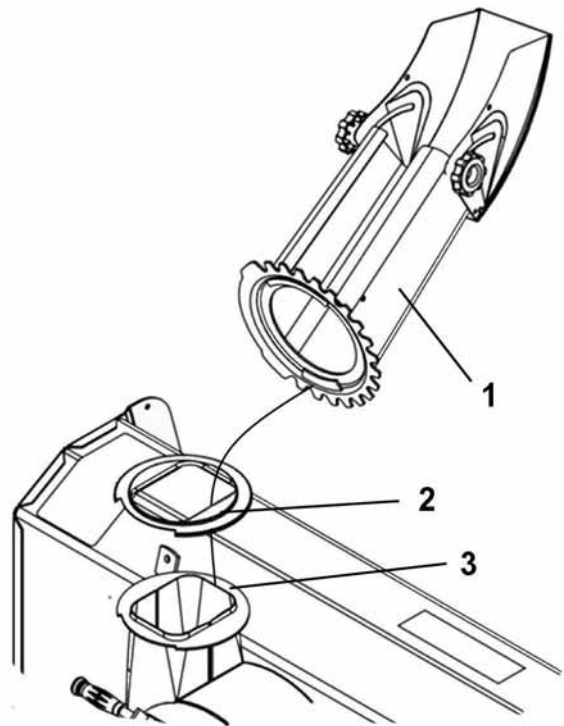
Tighten firmly.



Install hitch

Install the rotation ring (item 2) over opening (item 3) as shown and align the notches.

Place the chute (item 1) (facing the rear) and clip the back over the rotation ring then turn the chute towards the front to lock into place.



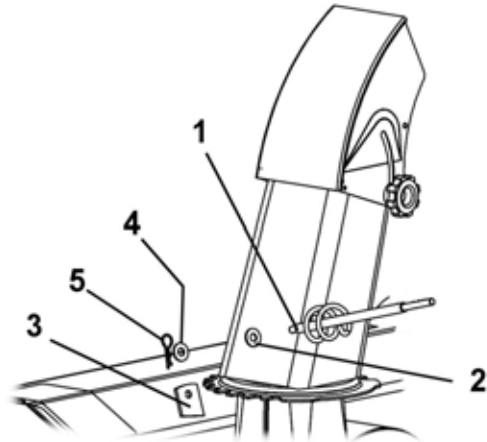
Install chute

ASSEMBLY

Place a 7/16" flatwasher (item 2) on the rotation worm shaft (item 1).

Install the rotation worm in the rotation support (item 3).

Secure with a 7/16" dia. flatwasher (item 4) and a 2.5 mm. hair pin (item 5).



Install rotation worm

ASSEMBLY

STEP 2

SNOWBLOWER INSTALLATION:

Refer to parts breakdown section for parts identification.

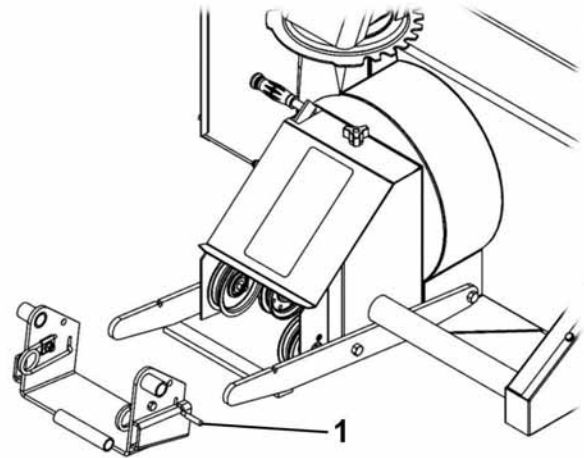
9 WARNING 9

TO PREVENT INJURIES:

- Stop the motor.**
- Apply parking brake.**
- Remove the ignition key.**
- Disconnect the wire from the spark plug(s) and keep away from spark plug(s) to prevent accidental starting.**

Attach the snowblower to the subframe as shown.

Make sure the snowblower is pushed in until locked into place by the springs (item 1).



Install snowblower

Remove the belt guard.

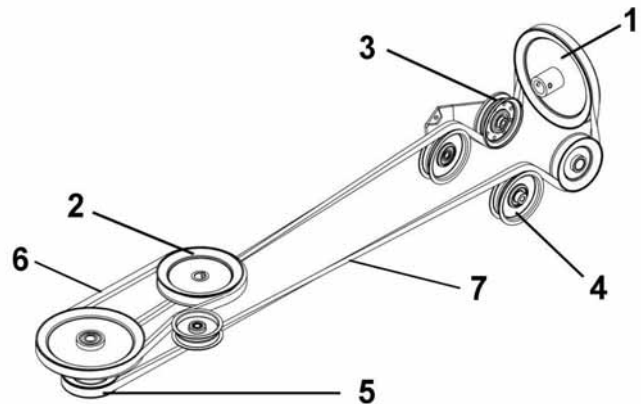
Install the belt on the pulleys as shown.

Install the belt on the drive mechanism pulley (item 5) under the tractor.

NOTE: See belt replacement instructions in the Maintenance section.

Apply tension on the belt by pulling up the belt tension arm.

Reinstall the belt guard.



- Item 1: Snowblower pulley
- Item 2: Tractor engine pulley
- Item 3: Flat pulley L.H.
- Item 4: Flat pulley R.H.
- Item 5: Drive mechanism pulley
- Item 6: Drive mechanism belt
- Item 7: Snowblower belt

9 CAUTION 9

The belt tension arm is spring loaded & needs to be held firmly while displacing to prevent injury.

9 CAUTION 9

Never use the snowblower without the belt guard.

Install belt

ASSEMBLY

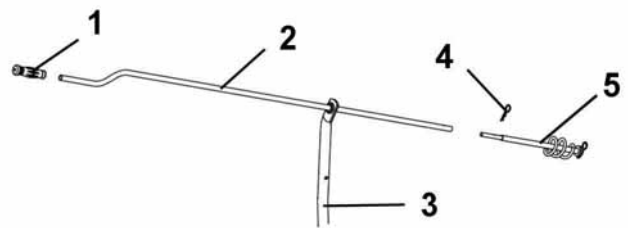
VERIFY BELT ROUTING:

- Lower the snowblower to the ground and let it run for a few seconds under supervision.
- Disengage the snowblower and stop the engine.
- Remove the belt guard.
- Check the belts to make sure they are well inserted in the pulleys and that they have not flipped on their sides on the pulleys and that they do not touch the belt guides.
- Reinstall the belt-guard.

Insert the handgrip (item 1) on the handle (item 2).

Insert the handle (item 2) through the support (item 3) as shown.

Insert the handle (item 2) on the rotation worm (item 5) and secure with a 2.5 mm. hair pin (item 4).



Install handle

VERIFY SKID SHOE ADJUSTMENT:

LEVEL PAVED SURFACE: Adjust skid shoes to allow 3/16" to 1/4" clearance (A) between cutting edge and surface.

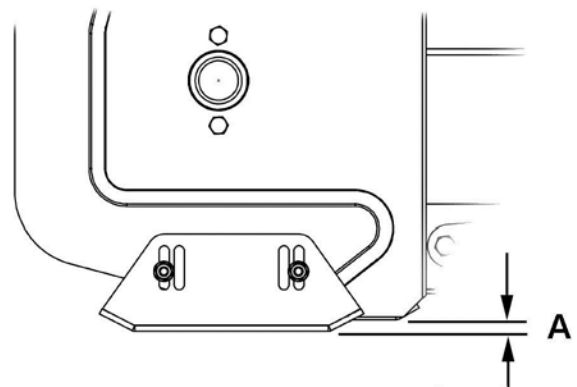
UNEVEN OR GRAVEL SURFACE: Adjust skid shoes to allow 1/2" to 5/8" clearance (A) between cutting edge and surface.

VERIFY TIRE PRESSURE:

Attachments should raise 3" to 4" above ground (no more, no less) if not, check and adjust tractor tire pressure as follows:

| | |
|--------------|-----------|
| Front tires: | 14-15 psi |
| Back tires: | 7-8 psi |

Tire pressure must be even on both sides of tractor.



Adjust skid shoes

OPERATION

SNOWBLOWER OPERATION

- a) Make sure the snowblower is clear of snow before engaging the snowblower.
- b) Make sure that the auger and impeller operate freely.
- c) Start the tractor engine.
- d) Before engaging the snowblower drive, always have the engine running at medium R.P.M.
- e) Operate the snowblower at maximum engine R.P.M.

IMPORTANT: USE FULL ENGINE R.P.M. WHEN REMOVING WET OR STICKY SNOW. LOW R.P.M. WILL TEND TO PLUG THE CHUTE.

CONTROLS

CHUTE ROTATION

The chute rotation handle is located to the left of steering wheel. Turning the handle in a clockwise direction, the discharge chute will turn in a clockwise direction or vice versa.

CHUTE DEFLECTOR

Set the angle of the deflector according to the distance the snow must be thrown and to prevent property damage. To change the deflector angle, loosen the two deflector knobs & adjust the deflector to the appropriate angle and retighten the two knobs securely.

SNOW REMOVAL

When removing snow, do not use the snowblower as a dozer blade to push snow. Allow snowblower to ingest snow at its own speed. If the speed of your tractor is too fast, the snowblower may become overloaded and plug. For best results, raise the snowblower and remove a top layer of snow. A second pass with the snowblower will remove the remaining snow.

9

WARNING

9

-Do not attempt to clear plugged chute, auger or fan of snow while tractor engine is running.
-Disengage snowblower.
-Lower snowblower onto ground.
-Set the parking brake.
-Stop engine, remove the ignition key, disconnect the wire from spark plug(s) and keep away from spark plug(s) to prevent accidental starting.
-Make sure all moving parts have stopped.
-Do not use hand to unplug chute.
-Use a 36" (924 mm.) minimum length stick or board.

9

WARNING

9

Read the tractor Owner's Manual carefully. Be thoroughly familiar with the controls & proper use of the attachment. Know how to stop the attachment & disengage the controls quickly.

9

WARNING

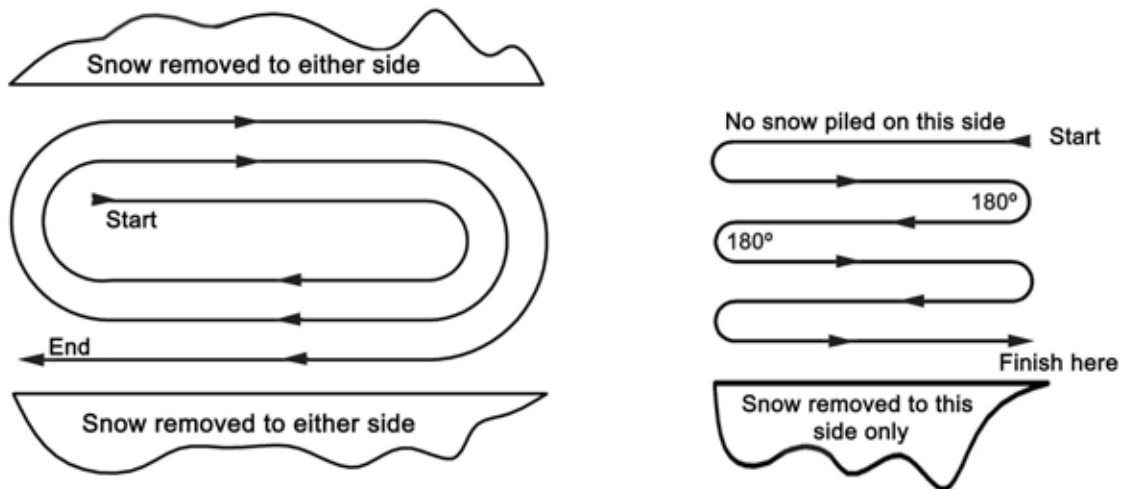
9

TO PREVENT INJURIES AND FOR MORE TRACTION WHEN USING AN ATTACHMENT:
-Rear counterweight of 100 lbs. minimum is required to counterbalance the attachment's weight.
-Tractor manufacturer approved tire chains are required.
-Do not operate on a slope greater than 10°.
-When dismantling the attachment remove rear counterweights.

OPERATION

SNOW REMOVAL METHODS

A definite pattern of operation is required to thoroughly clear the snow area. These patterns will avoid blowing snow in unwanted places as well as eliminating a second removal of snow.



Where it is possible to throw the snow to the left and right (see above), as in a long driveway, it is advantageous to start in the middle.

Blow from one end to the other, throwing snow to both sides without changing the direction of the discharge chute.

If the snow can only be thrown to one side of the driveway or sidewalk (see above), start on the opposite side.

At the end of the first pass, rotate the discharge chute 180° to maintain the direction of throw in the same area.

MAINTENANCE

9

WARNING

9

TO PREVENT INJURIES:

Stop the motor.

Apply parking brake.

Remove the ignition key.

Disconnect the wire from the spark plug(s) and keep away from spark plug(s) to prevent accidental starting.

MAINTENANCE

- Check mounting bolts at frequent intervals for proper tightness in order to prevent costly repairs. Make sure your attachment is in safe working condition.
- Provide adequate blocking before working under attachment when in raised position.

ADJUSTMENTS

SKID SHOE ADJUSTMENT:

Level Paved Surface: Adjust skid shoes to obtain 3/16" to 1/4" clearance between cutting edge and surface.

Uneven or Gravel Surface: Adjust skid shoes to obtain 1/2" to 5/8" clearance between cutting edge and surface.

CHAIN ADJUSTMENT:

Auger drive chain: Loosen the 3/8" x 2 1/2" hex bolt (see Parts Breakdown, Snowblower) on snowblower's right side, and set chain tension leaving 1/2" deflection in chain span. Retighten hex bolt securely.

LUBRICATION

Apply oil at all pivot points.

Drive Chains: Lubricate with chain saw chain lubricant every four hours of operation and at the end of each operation.

Chute Rotation System: Oil chute base, rotation worm every eight hours of operation.

CUTTING EDGE MAINTENANCE

Verify from time to time the wearing on the cutting edge to make sure you do not wear out the base of the snowblower's chassis. This cutting edge is reversible. All you have to do is unscrew the bolts and turn the cutting edge, reinstall and tighten the bolts securely.

SHEAR BOLT & PIN REPLACEMENT

Fan Shear Bolt Replacement:

The fan is protected by a special shear bolt with two grooves. If you hit a foreign object or ice, the shear bolt is designed to break in two upon absorbing impact. The fan will stop turning. This is to avoid damage to the fan or to the snowblower. Replace only with original part (for identification, see parts list: "Snowblower"). The use of any other bolt may void the warranty. Accessible by removing the belt guard.

Auger Shear Pin Replacement:

The auger is protected by a special nylon shear pin. If you hit a foreign object or ice, the shear pin is designed to break in two upon absorbing impact. The auger will stop turning. This is to avoid damage to the auger or the snowblower. Replace only with original parts (for identification, see parts list: "Snowblower"). The use of any other pin may void the warranty. Accessible by removing the belt guard.

END OF SEASON STORAGE

- Clean snowblower and subframe thoroughly and repaint all parts from which paint has worn.
- List the replacement parts that will be needed for the next season.
- Store the snowblower and the subframe in a dry place.

MAINTENANCE

BELT REPLACEMENT DRIVE MECHANISM BELT

- Remove the snowblower's belt guard and release the tension on the belt. Remove the belt from the snowblower and the drive mechanism pulleys.
- Remove the drive mechanism, be careful not to drop.
- NOTE:** Before proceeding with this step, notice carefully how the belt guide is installed to avoid damage to the belt when re-installing. Remove the bolt which retains the tension pulley and the belt guide. Replace the belt and re-install the tension pulley and belt guide. Before tightening make sure the belt guide does not touch the belt at any time.
- Re-install the drive mechanism.

MANUAL P.T.O. CLUTCH:

With the engine turned off, engage and disengage the P.T.O. clutch and verify to make sure the belt does not come in contact with the belt guide or any other part.

ELECTRIC P.T.O. CLUTCH:

Make sure the belt does not come in contact with the belt guide or any other part.

SNOWBLOWER BELT

IMPORTANT:

This verification MUST be done before installing a new belt.

- Make sure the pulleys are well installed and not damaged or rusted. If rusted, properly clean the inside of the pulley with sandpaper or replace completely.
- Make sure the flat pulley is installed in the correct hole as specified below:

1/2" wide belt

Fasten the pulley in the hole closest to the front.

5/8" wide belt

Fasten the pulley in the hole closest to the rear.

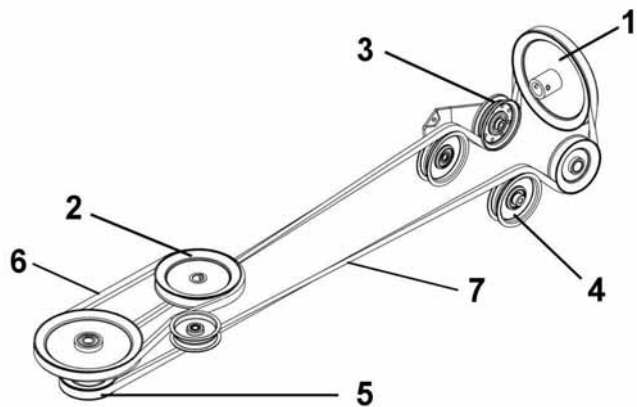
NOTE: See subframe manual for V-belt part number.

NOTE: These belts have a similar life span, however, the 1/2" belt must not be used on tractors of more than 20 HP.

BELT REPLACEMENT

- Lower the snowblower to the ground.
- Install the V-belt as illustrated below.
- Put tension on the belt by pulling up the tension arm.
- Let the snowblower run for a few seconds under supervision. Disengage snowblower, turn off engine, re-verify routing of belt by making sure it does not touch any part at any time and that it has not flipped on its side while still on the pulleys.
- If in the future, for any reason, the belt flips on its side, follow this step to prevent it from repeating. Remove the belt & turn it 180° (left strand of belt on right side and vice versa). If this is not done, the belt will continue to flip and will break the inner cords of the belt at every 3 to 4 inches.
- If after a certain time, the belt stretches and the left flat pulley (item 3) becomes closer to the ground, you must compensate by raising the right side flat pulley (item 4) into the upper hole.
- Use genuine belts only, they are specifically fabricated for this application.
- Reinstall the belt guard.

NOTE: Belts must be under high tension at all times. If spring is damaged or stretched, you must replace it.



Belt Routing

- Item 1: Snowblower pulley
- Item 2: Tractor engine pulley
- Item 3: Flat pulley L.H.
- Item 4: Flat pulley R.H.
- Item 5: Drive mechanism pulley
- Item 6: Drive mechanism belt
- Item 7: Snowblower belt

DISMOUNTING

SNOWBLOWER DISMOUNTING

9

WARNING

9

TO PREVENT INJURIES:

Stop the motor.

Apply parking brakes.

Remove the ignition key.

Disconnect the wire from the spark plug(s) and keep away from spark plug(s) to prevent accidental starting.

9

CAUTION

9

The belt tension arm is spring loaded & needs to be held firmly while displacing to prevent injury.

- a) Remove the hair pin and the handle for the chute rotation.
- b) Remove the belt guard and release the tension on the belt by displacing the tension arm backwards. The tension arm is spring loaded and needs to be held firmly while lowering to prevent injuries. Remove the belt.
- c) Detach the snowblower by lifting the two spring locks on the male quick hitch and pulling out the snowblower one side at a time.

TROUBLESHOOTING

| PROBLEM | POSSIBLE CAUSES | CORRECTIVE ACTION |
|---|---|---|
| Auger stops turning. | Nylon shear pin is probably broken. | Replace shear pin (for identification, see parts list "Snowblower"). |
| | The reduction chain is broken or the connecting link is unlocked. | Remove both chain guards. Inspect & repair chain if needed (for identification, see parts list "Snowblower"). |
| Fan stops turning. | Shear bolt is probably broken. | Replace shear bolt (for identification, see parts list "Snowblower"). |
| Snowblower stops turning. | One of the two belts is probably damaged or broken. | Check both belts and replace damaged belt(s) (for instructions, see Belt Replacement section). |
| Belt has burn marks in specific places. | Lack of tension on belt. | Adjust manual clutch cable or replace springs if stretched. |
| | Snowblower engaged when plugged. | Make sure the auger & the fan are not frozen or plugged before engaging. |
| Chute plugs easily. | Tractor engine turning too slowly. | Run engine at full throttle during snowblowing operation. |
| | Advancing too quickly with tractor. | Allow snowblower to ingest snow at its own speed. |
| Chute rotation is difficult. | Dirt or ice may be underneath chute. | Dismount chute by removing the rotation worm (for identification, see parts list "Chute with Rotation System"). Turn the chute completely towards the rear and it will disconnect from base. Clean the base of chute and the rotation ring. Lubricate & re-install. |

TROUBLESHOOTING

| PROBLEM | POSSIBLE CAUSES | CORRECTIVE ACTION |
|---|--|---|
| Snowblower digs into ground. | Ground is not frozen or too soft. | Adjust skid shoes lower so they may better support the snowblower. If problem persists, change skid shoes for heavy duty skid shoes (option #700243) which cover more surface and prevents snowblower from digging. |
| Snowblower does not raise evenly. | Tire pressure uneven from one side to another. Maladjustment of the snowblower. | Verify and adjust tire pressure: Front tires: 14 to 15 psi Rear tires: 7 to 8 psi Loosen male hitch on snowblower (for identification, see parts list "Snowblower"). Place a shim (ex.:piece of wood approx. 2" thick) under the lowest side of snowblower which needs to be leveled. Re-tighten bolts. |
| Snowblower vibrates or is abnormally noisy. | Damaged pulley. Damaged bearing. Damaged fan. Damaged auger. | Replace pulley. Replace bearing. Dismount & repair or replace fan. Replace auger. |
| Auger turns the wrong way. | Belt is installed improperly. | See Belt mounting instructions in subframe / Drive mechanism manual. |

TORQUE SPECIFICATION TABLE

GENERAL TORQUE SPECIFICATION TABLE USE THE FOLLOWING TORQUES WHEN SPECIAL TORQUES ARE NOT GIVEN

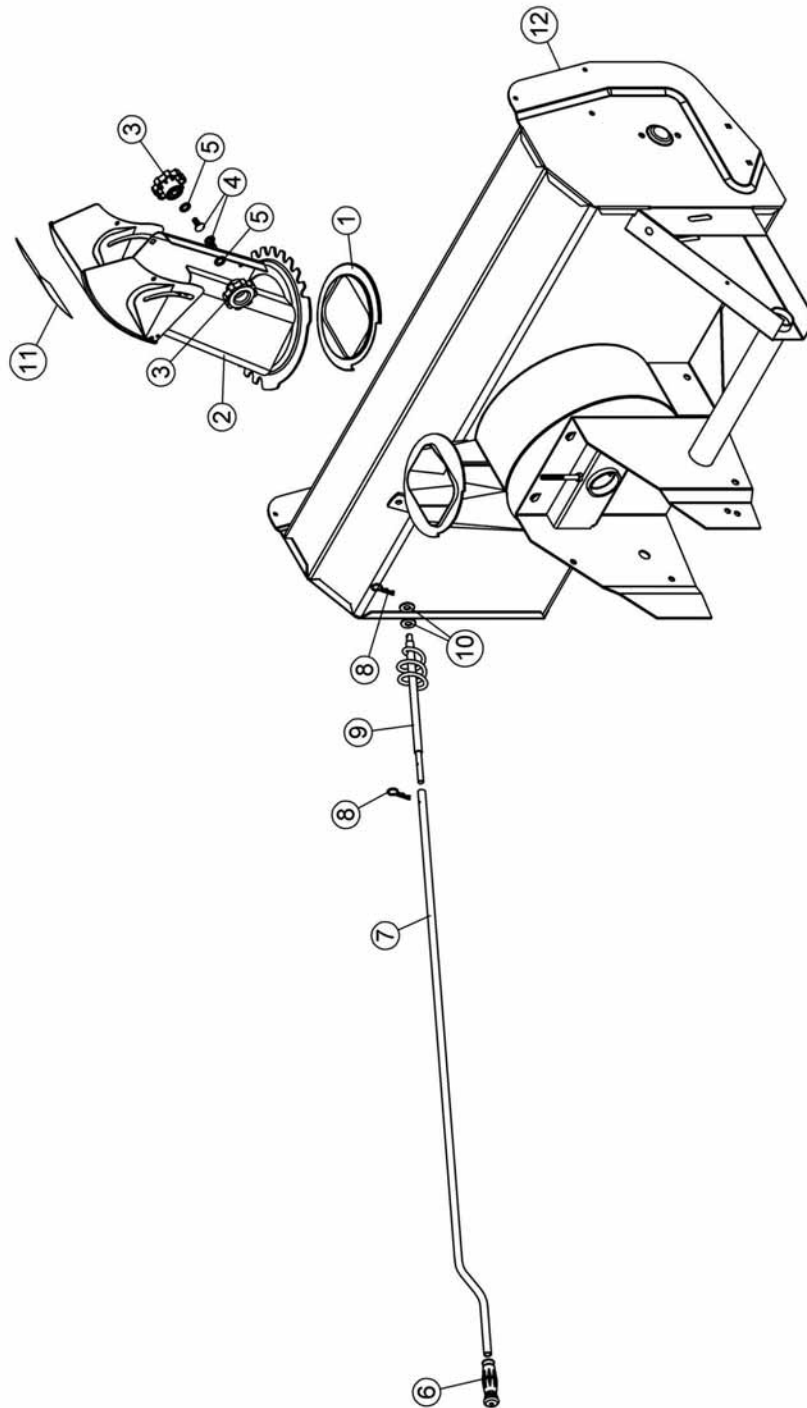
NOTE: These values apply to fasteners as received from supplier, dry or when lubricated with normal oil. They do not apply if special graphited or moly disulphide greases or other extreme pressure lubricants are used. This applies to both UNF and UNC threads.

| SEE Grade No. | | 2 | | | | 5 | | | | 8 * | | | |
|--|------------|-------------|------|---------------|-------|-------------|------|---------------|-------|-------------|------|---------------|--------|
| BOLT HEAD IDENTIFICATION MARKS AS PER GRADE NOTE MANUFACTURING MARKS WILL VARY | | TORQUE | | | | TORQUE | | | | TORQUE | | | |
| BOLT SIZE | | POUNDS FEET | | NEWTON-METERS | | POUNDS FEET | | NEWTON-METERS | | POUNDS FEET | | NEWTON-METERS | |
| Inches | Millimetre | Min. | Max. | Min. | Max. | Min. | Max. | Min. | Max. | Min. | Max. | Min. | Max. |
| 1/4" | 6.35 | 5 | 6 | 6.8 | 8.13 | 9 | 11 | 12.2 | 14.9 | 12 | 15 | 16.3 | 30.3 |
| 5/16" | 7.94 | 10 | 12 | 13.6 | 16.3 | 17 | 20.5 | 23.1 | 27.8 | 24 | 29 | 32.5 | 39.3 |
| 3/8" | 9.53 | 20 | 23 | 27.1 | 31.2 | 35 | 42 | 47.5 | 57 | 45 | 54 | 61 | 73.2 |
| 7/16" | 11.11 | 30 | 35 | 40.7 | 47.4 | 54 | 64 | 73.2 | 86.8 | 70 | 84 | 94.9 | 113.9 |
| 1/2" | 12.7 | 45 | 52 | 61 | 70.5 | 80 | 96 | 108.5 | 130.2 | 110 | 132 | 149.2 | 179 |
| 9/16" | 14.29 | 65 | 75 | 88.1 | 101.6 | 110 | 132 | 149.2 | 179 | 160 | 192 | 217 | 260.4 |
| 5/8" | 15.88 | 95 | 105 | 128.7 | 142.3 | 150 | 180 | 203.4 | 244.1 | 220 | 264 | 298.3 | 358 |
| 3/4" | 19.05 | 150 | 185 | 203.3 | 250.7 | 270 | 324 | 366.1 | 439.3 | 380 | 456 | 515.3 | 618.3 |
| 7/8" | 22.23 | 160 | 200 | 216.8 | 271 | 400 | 480 | 542.4 | 650.9 | 600 | 720 | 813.6 | 976.3 |
| 1" | 25.4 | 250 | 300 | 338.8 | 406.5 | 580 | 696 | 786.5 | 943.8 | 900 | 1080 | 1220.4 | 1464.5 |

*Thick nuts must be used with grade 8 bolts

| METRIC BOLT TORQUE SPECIFICATIONS | | | | | | | |
|-----------------------------------|-----------|------------|---------------|---------------|-------------|-------------|---------------|
| Size Screw | Grade No. | Pitch (mm) | COARSE THREAD | | FINE THREAD | | |
| | | | Pounds Feet | Newton-Meters | Pitch (mm) | Pounds Feet | Newton-Meters |
| M6 | 4T | 1.00 | 3.6 - 5.8 | 4.9 - 7.9 | - | - | - |
| | 7T | | 5.8 - 9.4 | 7.9 - 12.7 | | - | - |
| | 8T | | 7.2 - 10 | 9.8 - 13.6 | | - | - |
| M8 | 4T | 1.25 | 7.2 - 14 | 9.8 - 19 | 1.00 | 12 - 17 | 16.3 - 23 |
| | 7T | | 17 - 22 | 23 - 29.8 | | 19 - 27 | 25.7 - 36.6 |
| | 8T | | 20 - 26 | 27.1 - 35.2 | | 22 - 31 | 29.8 - 42 |
| M10 | 4T | 1.50 | 20 - 25 | 27.1 - 33.9 | 1.25 | 20 - 29 | 27.1 - 39.3 |
| | 7T | | 34 - 40 | 46.1 - 54.2 | | 35 - 47 | 47.4 - 63.7 |
| | 8T | | 38 - 46 | 51.5 - 62.3 | | 40 - 52 | 54.2 - 70.5 |
| M12 | 4T | 1.75 | 28 - 34 | 37.9 - 46.1 | 1.25 | 31 - 41 | 42 - 55.6 |
| | 7T | | 51 - 59 | 69.1 - 79.9 | | 56 - 68 | 75.9 - 92.1 |
| | 8T | | 57 - 66 | 77.2 - 89.4 | | 62 - 75 | 84 - 101.6 |
| M14 | 4T | 2.00 | 49 - 56 | 66.4 - 75.9 | 1.50 | 52 - 64 | 70.5 - 86.7 |
| | 7T | | 81 - 93 | 109.8 - 126 | | 90 - 106 | 122 - 143.6 |
| | 8T | | 96 - 109 | 130.1 - 147.7 | | 107 - 124 | 145 - 168 |
| M16 | 4T | 2.00 | 67 - 77 | 90.8 - 104.3 | 1.50 | 69 - 83 | 93.5 - 112.5 |
| | 7T | | 116 - 130 | 157.2 - 176.2 | | 120 - 138 | 162.6 - 187 |
| | 8T | | 129 - 145 | 174.8 - 196.5 | | 140 - 158 | 189.7 - 214.1 |
| M18 | 4T | 2.00 | 88 - 100 | 119.2 - 136 | 1.50 | 100 - 117 | 136 - 158.5 |
| | 7T | | 150 - 168 | 203.3 - 227.6 | | 177 - 199 | 239.8 - 269.6 |
| | 8T | | 175 - 194 | 237.1 - 262.9 | | 202 - 231 | 273.7 - 313 |
| M20 | 4T | 2.50 | 108 - 130 | 146.3 - 176.2 | 1.50 | 132 - 150 | 178.9 - 203.3 |
| | 7T | | 186 - 205 | 252 - 277.8 | | 206 - 242 | 279.1 - 327.9 |
| | 8T | | 213 - 249 | 288.6 - 337.4 | | 246 - 289 | 333.3 - 391.6 |

**PARTS BREAKDOWN / NOMENCLATURE DES PIÈCES
CHUTE WITH ROTATION SYSTEM /
GOULOTTE AVEC SYSTÈME DE ROTATION**

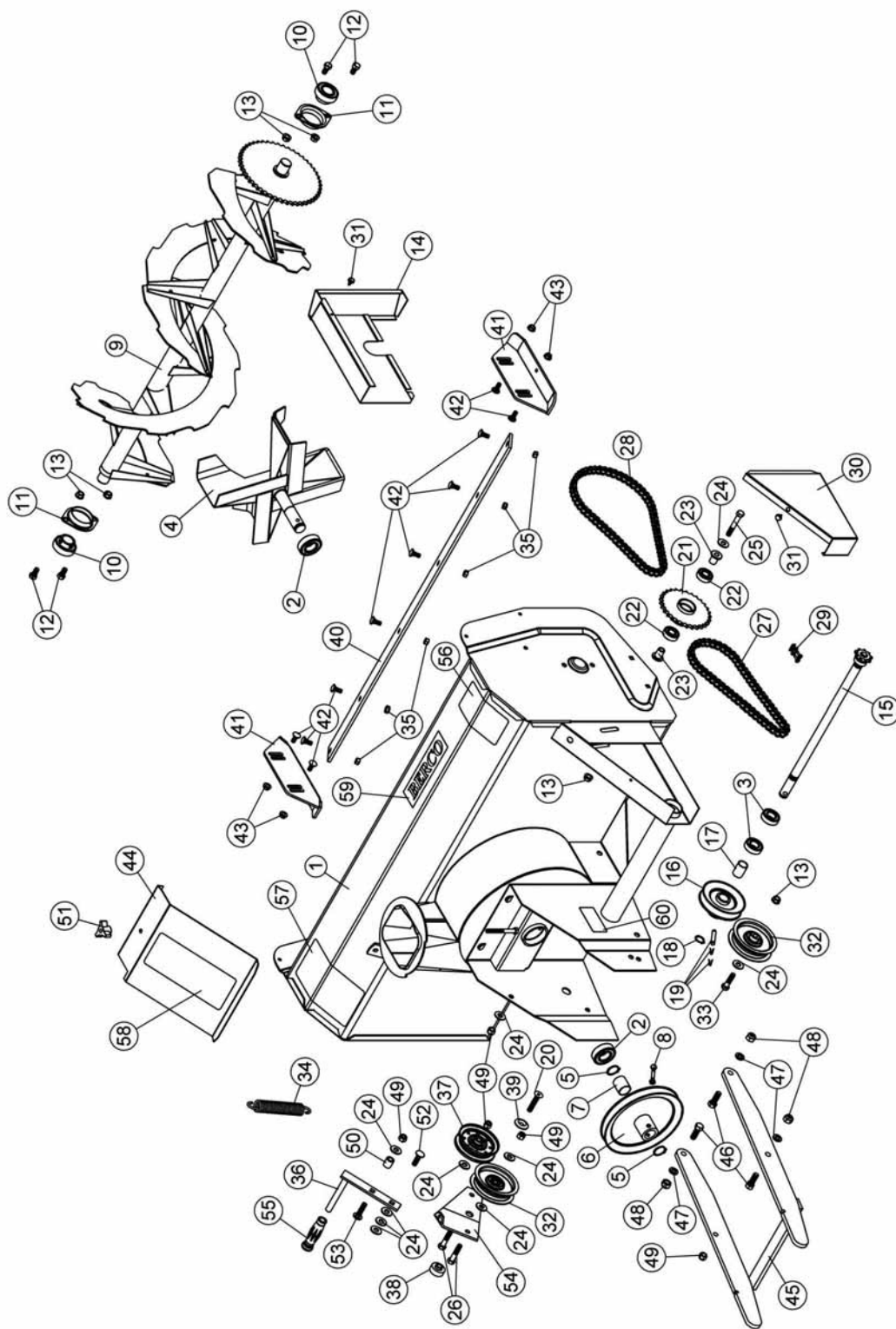


PARTS LIST / LISTE DES PIÈCES

| REF. RÉF. | DESCRIPTION | DESCRIPTION | QTY QTÉ | PART # PIÈCE # |
|--------------|---------------------------------|--|------------|-------------------|
| 1 | Rotation ring | Coussinet de rotation | 1 | 102756 |
| 2 | Chute | Goulotte | 1 | 102748 |
| 3 | Knob | Bouton | 2 | 102020 |
| 4 | Carriage bolt 5/16" n.c. x 3/4" | Boulon à carrosserie 5/16" n.c. x 3/4" | 2 | O/L |
| 5 | Nylon flat washer 7/16" | Rondelle plate de nylon 7/16" | 2 | 102011 |
| 6 | Handgrip | Poignée | 1 | 102062 |
| 7 | Handle | Manivelle | 1 | 102061 |
| 8 | Hair pin 2.5mm | Goupille à ressort 2.5mm | 2 | 102013 |
| 9 | Rotation worm | Spirale de rotation | 1 | 102695 |
| 10 | Flat washer 7/16" hole | Rondelle plate 7/16" trou | 2 | O/L |
| 11 | Danger decal | Décalque danger | 1 | 102127 |
| 12 | Frame | Châssis | 1 | REF |

O/L = Obtain locally/obtenir localement

PARTS BREAKDOWN / NOMENCLATURE DES PIÈCES SNOWBLOWER / SOUFFLEUSE



PARTS LIST / LISTE DES PIÈCES

| REF. RÉF. | DESCRIPTION | DESCRIPTION | QTY QTÉ | PART # PIÈCE # |
|--------------|--|---|------------|-------------------|
| 1 | Frame | Châssis | 1 | 103000 |
| 2 | Bearing | Roulement à billes | 2 | 102757 |
| 3 | Bearing | Roulement à billes | 2 | 102758 |
| 4 | Fan | Éventail | 1 | 102743 |
| 5 | Retaining ring | Bague de retenue | 2 | 102760 |
| 6 | Main drive pulley inc. 102784 | Poulie d'entraîn. princ. inc. 102784 | 1 | 102691 |
| 7 | Oil lite bushing | Coussinet imprégné d'huile | 1 | 102784 |
| 8 | Shear bolt /N.I.L.N.T. pkg-10 | Boulon de séc. /É.G.N.M. pqt-10 | 1 | 102744 |
| 9 | Auger 40" | Vis 40" | 1 | 102000 |
| 10 | Bearing with set screw | Roulement à billes avec vis à pression | 2 | 102755 |
| 11 | Flangette | Flangette | 2 | 102680 |
| 12 | Hex. bolt 3/8" n.c. x 3/4" | Boulon hex. 3/8" n.c. x 3/4" | 4 | O/L |
| 13 | Flange nut 3/8" n.c. | Écrou à bride 3/8" n.c. | 6 | O/L |
| 14 | Chain guard | Garde-chaîne | 1 | 102698 |
| 15 | Drive shaft | Arbre de commande | 1 | 102696 |
| 16 | Auger drive pulley inc. 102783 | Poulie d'entraîn. de la vis inc. 102783 | 1 | 102690 |
| 17 | Oil-lite bushing | Coussinet imprégné d'huile | 1 | 102783 |
| 18 | Retaining ring | Bague de retenue | 1 | 102761 |
| 19 | Nylon shear pin w/2 clips | Goupille de sécurité nylon a/2 clips | 1 | 102747 |
| 20 | Hex socket f.h. cap screw 3/8" n.c. x 2" | Vis a pression hex. t.p. 3/8" n.c. x 2" | 1 | O/L |
| 21 | Double sprocket inc. 102759 & 102683 | Pignon double inc. 102759 & 102683 | 1 | 102684 |
| 22 | Bearing | Roulement à billes | 2 | 102759 |
| 23 | Flange sleeve | Douille à bride | 2 | 102683 |
| 24 | Flat washer 7/16" hole | Rondelle plate 7/16" trou | 10 | O/L |
| 25 | Hex. bolt 3/8" n.c. x 2 1/2" | Boulon hex 3/8" n.c. x 2 1/2" | 1 | O/L |
| 26 | Hex. bolt 3/8" n.c. x 1 3/4" | Boulon hex. 3/8" n.c. x 1 3/4" | 2 | O/L |
| 27 | Roller chain #40 x 54 /w connecting link | Chaîne #40 x 54 mailles /a maille d'accoup. | 1 | 102767 |
| 28 | Roller chain #40 x 64 /w connecting link | Chaîne #40 x 64 mailles /a maille d'accoup. | 1 | 102768 |
| 29 | Connecting Link #40 | Maille d'accouplement #40 | 1 | 102040 |
| 30 | Chain guard | Garde-chaîne | 1 | 102745 |

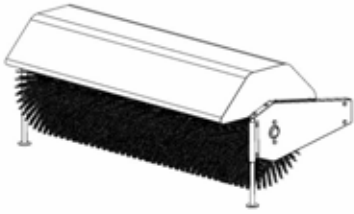
O/L = Obtain locally/obtenir localement

PARTS LIST / LISTE DES PIÈCES

| REF. RÉF. | DESCRIPTION | DESCRIPTION | QTY QTÉ | PART # PIÈCE # |
|--------------|----------------------------------|---|------------|-------------------|
| 31 | Tapping screw 1/4" n.c. x 1/2" | Vis taraudeuse 1/4" n.c. x 1/2" | 2 | O/L |
| 32 | Flat pulley | Poulie plate | 2 | 102765 |
| 33 | Hex. bolt 3/8" n.c. x 1 1/2" | Boulon hex. 3/8" n.c. 1 1/2" | 1 | O/L |
| 34 | Spring | Ressort | 1 | 102861 |
| 35 | Stover lock nut 5/16" n.c. | Écrou de blocage 5/16" n.c. | 6 | O/L |
| 36 | Tension arm | Bras de tension | 1 | 103026 |
| 37 | Idler | Poulie | 1 | 103044 |
| 38 | Flange washer | Rondelle à bride | 1 | 103025 |
| 39 | Special washer | Rondelle plate spécial | 1 | 103042 |
| 40 | Cutting edge 40" | Racloir 40" | 1 | 102047 |
| 41 | Skid shoe | Patin | 2 | 103188 |
| 42 | Carriage bolt 5/16" n.c. x 3/4" | Boulon à carrosserie 5/16" n.c. x 3/4" | 10 | O/L |
| 43 | Flange nut 5/16" n.c. | Écrou à bride 5/16" n.c. | 4 | O/L |
| 44 | Belt guard | Garde courroie | 1 | 103024 |
| 45 | Male hitch | Attache mâle | 1 | 103043 |
| 46 | Hex. bolt 7/16" n.c. x 1 1/4" | Boulon hex. 7/16" n.c. x 1 1/4" | 3 | O/L |
| 47 | Lock washer 7/16" | Rondelle de blocage 7/16" | 3 | O/L |
| 48 | Nylon Insert Lock nut 7/16" n.c. | Écrou à garniture de nylon 7/16" n.c. | 3 | O/L |
| 49 | Nylon insert lock nut 3/8" n.c. | Écrou à garniture de nylon 3/8" n.c. | 5 | O/L |
| 50 | Sleeve | Douille | 1 | 103028 |
| 51 | Knob | Bouton | 1 | 103027 |
| 52 | Carriage bolt 3/8" n.c. x 1 1/4" | Boulon à carrosserie 3/8" n.c. x 1 1/4" | 1 | O/L |
| 53 | Carriage bolt 3/8" n.c. x 1-1/2" | Boulon à carrosserie 3/8" n.c. x 1 1/2" | 1 | O/L |
| 54 | Tension lever | Levier de tension | 1 | 103023 |
| 55 | Handgrip | Poignée | 1 | 102062 |
| 56 | Danger decal | Décalque danger | 1 | 102126 |
| 57 | Warning decal | Décalque attention | 1 | 102125 |
| 58 | Important decal | Décalque important | 1 | 102815 |
| 59 | Berco decal | Décalque Berco | 1 | 102471 |
| 60 | Serial number | Numéro de série | 1 | REF |

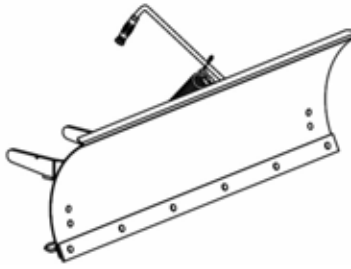
O/L = Obtain locally/obtenir localement

OPTIONS & ATTACHMENTS



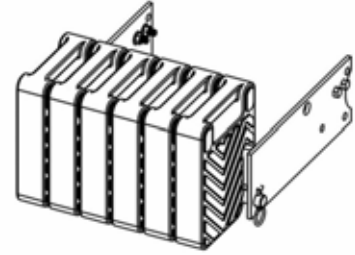
ROTARY BROOM
#700286 with nylon brush
/#700316 with polypropylene brush.

Fits on same subframe as snowblower or utility blade.
Requires an adaptor.
Debris collector available as an option. Reduces dust.



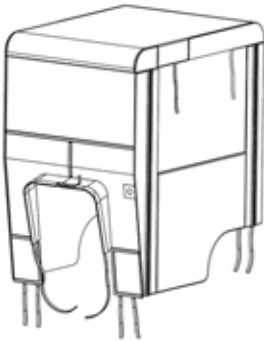
UTILITY BLADE #700266

Mounts on the same subframe as the snowblower & rotary broom.



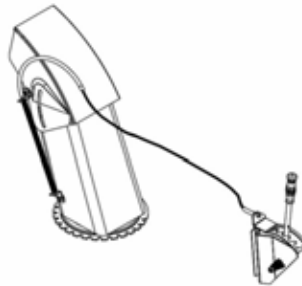
COUNTERWEIGHT

#700240 Universal rear weights
#700246 Rear weights Electrolux
Required for safety and traction.
Counter-balances weight of attachment.



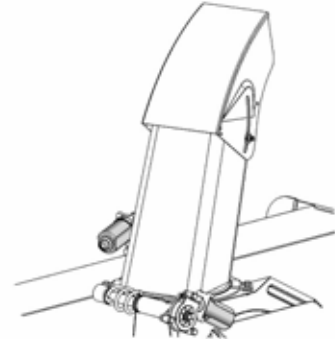
TRACTOR WINTER CAB
#700271

Universal type fits on a wide variety of lawn and garden tractors.



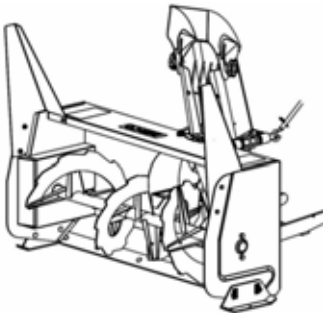
DEFLECTOR ADJUSTMENT KIT
#700239

Adjusts height at which snow is thrown from the driver's seat.



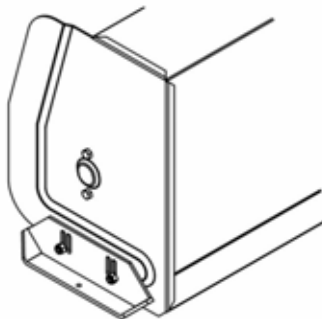
ELECTRIC CHUTE & DEFLECTOR
#700308

Allows to turn chute and adjust deflector electrically from driver's seat.



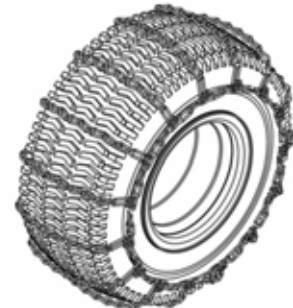
SNOW DRIFT CUTTER

#700261 for deluxe snowblowers.
#700260 for compact snowblower.
Facilitates and increases snow intake.
Pkg. of 2



HEAVY DUTY SKID SHOES
#700243

For gravel driveways.
Pkg. of 2



TIRE CHAINS

Two link spacing. Required for traction and safety.
Pkg. of 2