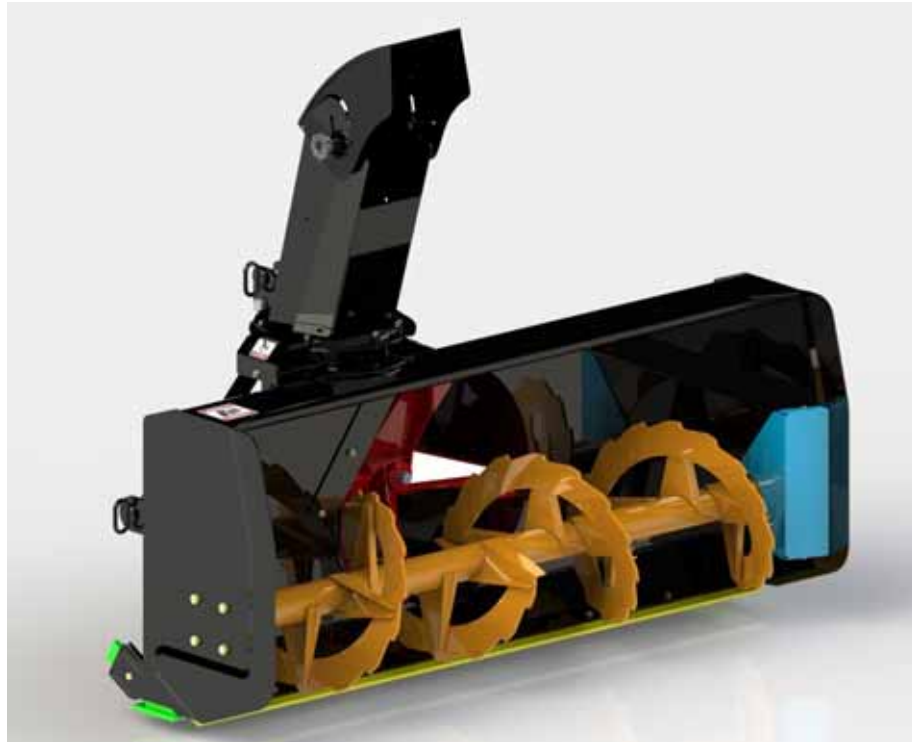




**OWNER'S MANUAL**  
***Model Number***

**700588 64" Snowblower**



***BERCO***  
***64" 3 Point Snowblower***  
***Pro Series 2000***

- \* ASSEMBLY
- \* OPERATION

- \* REPAIR PARTS
- \* MAINTENANCE

**CAUTION:**

**READ & FOLLOW ALL SAFETY RULES & INSTRUCTIONS BEFORE  
OPERATING YOUR EQUIPMENT**



# LIMITED WARRANTY

## Conditions and Products Covered:

BERCOMAC guarantees any part of the product or accessory manufactured by BERCOMAC and found in the reasonable judgment of BERCOMAC to be defective in material and or workmanship will be repaired or replaced by an authorized dealer without charge up to our maximum labor rates and pre-established times. For replacement parts only standard ground freight services are covered. This warranty extends to the original retail purchaser only and is not transferable to any subsequent purchasers. This warranty applies to the products bought and used in North America.

## Warranty Period

(from date of the original retail purchase)

- Residential, semi-commercial or regular commercial use: 1 year
- Intense commercial, industrial or rental use: 90 days

**Exceptions Noted Below;** the following items are guaranteed by the original manufacturer and have their own warranty, conditions and limited time:

- Tire Chains:
  - 90 days on residential or semi-commercial use
  - No warranty on other application
- Engines: Will vary as per the manufacturer  
Please refer to the engine manufacturer's warranty statement included with the unit. BERCOMAC is not authorized to handle warranty adjustments on engines.

## Items and Conditions NOT Covered:

This warranty does not cover the following:

- Pick-up or delivery charges or in-home services fees.
- Any damage or deterioration of the unit, parts and or finish of these due to normal use, wear and tear, or exposure.
- Cost of regular use or maintenance service or parts, such as gas, oil, lubricants, tune-up parts, and adjustments.
- Any part or accessory which has been altered, modified, misused, neglected, accidentally damaged or not properly installed, maintained, stored or repaired not in accordance with the instructions in the owner's manual.
- Repair due to normal wear and or any wear items such as shear pins, bolts, belts, winch cable, cutting edge, skid shoes, etc.
- Expedited freight fee services for replacement parts.
- Shear bolts and shear pins are to be considered as a preventive measure not as an assured protection, any damages resulting from the lack of shear bolts breakage are not covered.
- Damages due to product being installed on vehicle other than stipulated in the owner's manual.

**NOTE:** Bercomac reserves the right to change or improve the design of any part or accessory without assuming any obligation to modify any product previously manufactured.

## Instructions for Obtaining Warranty Services:

Contact dealer where equipment was purchased or any other BERCO service dealer to arrange service at their dealership. To locate a dealer convenient to you, access our website at [www.bercomac.com](http://www.bercomac.com). Don't forget to bring your proof of purchase (sales receipt) to the BERCO dealer.

## Owner's Responsibilities:

BERCOMAC's defective equipment or part must be returned to an authorized dealer within the warranty period for repairs. In the event that defective merchandise must be returned to manufacturer for repairs, freight fees are prepaid and a written authorization from BERCOMAC must be obtained by dealer prior to the shipment. This warranty extends only to equipment operated under normal conditions. To validate a warranty claim, it is the user's responsibility to maintain and service the unit as specified in the owner's manual or to have the unit serviced at their dealer at their expense.

## General Conditions:

The sole liability of BERCOMAC with respect to this warranty shall be strictly and exclusively repair and replacement as mentioned herein. BERCOMAC shall not have any liability for any other costs, loss or damage, including but not limited to, any incidental or consequential loss or damage.

Taking advantage of the warranty does not in any way extend the length or renewal of the warranty.

In particular, without being limited to, BERCOMAC shall have no liability or responsibility for:

- Travel time, overtime, after hours time or other extraordinary repair charges or relating to repairs and or replacements outside of normal business hours.
- Rental of like or similar replacement equipment during the period of any, repair or replacement work.
- Any communicating or travel charges.
- Loss or damage to person or property other than that covered by the terms of this warranty.
- Any claims for lost revenue, lost profit or any similar costs as a result of damage or repair.
- Attorney's fees.

BERCOMAC's responsibility in respect to claims is limited to making the required repairs or replacement without charge up to our maximum labor rates and pre-established times and no claim of breach of warranty shall be cause for cancellation or rescission of the contract of sale of any product or accessory. In no event shall recovery of any kind be greater than the amount of the purchase price of the product sold.

This warranty gives you specific legal rights. You may also have other rights, which vary from state to state.

# TABLE OF CONTENTS

	PAGE
INTRODUCTION .....	1
SAFETY PRECAUTIONS .....	2
SAFETY DECALS .....	4
ASSEMBLY	
Step 1 Assembly instructions .....	5
Step 2: Accessories 3points hitch configuration .....	7
Step 3: PTO driveshaft Preparation and installation .....	8
Step 4: Hydraulic hoses preparation and installation .....	9
Step 5: Snowblower Installation .....	9
Step 6 Snowblower and tractor adjustments .....	9
OPERATION	
Snowblower Operation .....	10
Controls .....	10
Snow Removal .....	10
MAINTENANCE	
Adjustments .....	11
Lubrication .....	11
Shear Bolt Replacement .....	11
DISMOUNTING & STORAGE .....	12
TROUBLESHOOTING .....	13
PARTS BREAKDOWN AND PARTS LIST	
64" Snowblower .....	14
TORQUE SPECIFICATION TABLE .....	19
OPTIONS & ATTACHMENTS .....	20

# INTRODUCTION

## TO THE PURCHASER

This new accessory was carefully designed to give years of dependable service. This manual has been provided to assist in the safe operation and servicing of your attachment.

**NOTE:** All photographs and illustrations in the manual may not necessarily depict the actual models or attachment, but are intended for reference only and are based on the latest product information available at the time of publication.

Familiarize yourself fully with the safety recommendations and operating procedures before putting the machine to use. Carefully read, understand and follow these recommendations and insist that they be followed by those who will use this attachment.



**THIS SAFETY ALERT SYMBOL IDENTIFIES AN IMPORTANT SAFETY MESSAGE IN THIS MANUAL THAT HELPS YOU AND OTHERS AVOID PERSONAL INJURY OR EVEN DEATH. DANGER, WARNING, AND CAUTION ARE SIGNAL WORDS USED TO IDENTIFY THE LEVEL OF HAZARD. HOWEVER, REGARDLESS OF THE HAZARD, BE EXTREMELY CAREFUL.**

**DANGER:** Signals an extreme hazard that will cause serious injury or death if recommended precautions are not followed.

**WARNING:** Signals a hazard that may cause serious injury or death if the recommended precautions are not followed.

**CAUTION:** Signals a hazard that may cause minor or moderate injury if the recommended precautions are not followed.

Record your attachment serial number and purchase date in the section reserved below (there is no serial number on the subframe). Your dealer requires this information to give you prompt, efficient service when ordering replacement parts. Use only genuine parts when replacements are required.

If warranty repairs are required please present this registration booklet and original sales invoice to your selling dealer for warranty service.

**This manual should be kept for future reference.**

**Please check if you have received all the parts for your kit with the list of the bag and the list of the box.**

**SERIAL NUMBER :** \_\_\_\_\_  
(IF APPLICABLE)

**MODEL NUMBER:** \_\_\_\_\_

**PURCHASE DATE :** \_\_\_\_\_



## SAFETY PRECAUTIONS



Careful operation is your best insurance against an accident. Read this section carefully before operating the vehicle and accessory. This accessory is capable of amputating hands and feet and throwing objects. Failure to observe the following safety instructions could result in serious injury. All operators, no matter how experienced they may be, should read this and other manuals related to the vehicle and accessory before operating. It is the owner's legal obligation to instruct all operators in safe operation of the accessory.

### GLOSSARY:

In this manual, right and left sides are determined by sitting on the seat of the vehicle facing forward.

In this manual, "accessories" means attachments (snowblower, rotary broom, blade etc.) that you install on the vehicle (lawn tractors, A.T.V. s etc).

### TRAINING:



This symbol, "Safety Alert Symbol", is used throughout this manual and on the accessory's safety labels to warn of the possibility of serious injury. Please take special care in reading and understanding the safety precautions before operating the vehicle and accessory.

1. Read this owner's manual carefully. Be thoroughly familiar with the controls and proper use of the vehicle and accessory. Know how to stop the unit and disengage the controls quickly.
2. Never allow children to operate the vehicle nor the accessory. Never allow adults to operate the vehicle nor the accessory without proper instructions.
3. No one should operate the vehicle nor the accessory while intoxicated or while taking medication that impairs the senses or reactions.
4. Keep the area of operation clear of all people, particularly small children and pets.
5. Never start or operate the accessories except from the operator's station on the power unit except if this is impossible.

### PREPARATION:

1. Thoroughly inspect the area where the accessory is to be used and remove door mats, all foreign objects and the like.
2. For motorized accessories, disengage all clutches and shift into neutral before starting engine.
3. Do not operate the accessory without wearing adequate winter outer garments. Avoid loose fitting clothing that can get caught in moving parts. Wear footwear that will improve footing on slippery surfaces.

4. Handle fuel with care, it is highly flammable.
  - a) Use approved fuel container.
  - b) Never add fuel to a running engine or hot engine.
  - c) Fill fuel tank outdoors with extreme care. Never fill fuel tank indoors.
  - d) Never fill containers inside a vehicle, or on a truck or a trailer bed with a plastic liner. Always place containers on the ground, away from your vehicle, before filling.
  - e) When practical, remove gas-powered equipment from the truck or trailer and refuel it on the ground. If this is not possible, then refuel such equipment on a trailer with a portable container, rather than from a gasoline dispenser nozzle.
  - f) Keep the nozzle in contact with the rim of the fuel tank or container opening at all times, until refueling is complete. Do not use a nozzle lock-open device.
  - g) Replace fuel cap securely and wipe up spilled fuel.
  - h) If fuel is spilled on clothing, change clothing immediately.
5. Never attempt to make any adjustments while the engine (motor) is running (except when specifically recommended by manufacturer).
6. Let the vehicle and accessory adjust to outdoor temperatures before using.
7. Never use an accessory without proper guards, plates, or other safety protective devices in place
8. Always make sure to wear the appropriate safety equipment required (glasses, muffs, mask...) for each type of product. See operation section.
9. Always make sure of having safe traction on the vehicle by using the recommended accessories (chains, A.T.V. tracks, counterweights...). See operation section.
10. Always make sure all components are correctly installed. (driveline securely attached and locked at both ends, belts properly installed...)
11. If applicable, always handle the winch cable with thick leather gloves.
12. **Never modify the accessory or any part without the written consent from the manufacturer.**



## SAFETY PRECAUTIONS



### OPERATION:

1. Do not put hands or feet near, under or inside rotating parts.
2. Exercise extreme caution when operating on or crossing gravel drives, walks or roads. Stay alert for hidden hazards or traffic. Do not carry passengers.
3. After striking a foreign object, stop the engine (motor), disconnect the wire from the spark plug(s) and keep wire away to prevent accidental starting. Thoroughly inspect the accessory for any damage and repair damage before restarting and using the accessory.
4. If the unit should start to vibrate abnormally, stop the engine (motor) and check immediately for the cause. Vibration is generally a warning of trouble.
5. Take all possible precautions when leaving the vehicle unattended. Disengage the power take-off, lower the attachment, place the transmission into neutral, set the parking brake, stop the engine and remove the ignition key.
6. Do not run the engine indoors, except when starting the engine and for transporting in or out of the building. Do not operate or let motor run in a storage area without ventilation because gas contains carbon monoxide which is odorless, colorless and can cause death.
7. Never use the accessories across the face of slopes, go from top to bottom. Exercise extreme caution when using equipment on slopes. Do not attempt to clear a steep slope.
8. Never tolerate bystanders in the working zone. Never use an accessory in the direction of bystanders, it might throw gravel or debris that can hurt people or damage property.
9. Never operate the accessory at high transport speeds on slippery surfaces. Use care when backing up.
10. Do not carry passengers.
11. Disengage power to the accessory when it is transported or not in use.
12. Never operate the accessory without good visibility or light.
13. Keep the accessory away from heat sources or flames.
14. If applicable, never handle the winch cable or hook while in tension.

### MAINTENANCE AND STORAGE

1. When cleaning, repairing or inspecting the vehicle and accessory: stop the engine, set brake, remove ignition key, and wait that all moving parts have stopped. For gasoline engine, disconnect wire from the spark plug(s) and keep wire away to prevent accidental starting.
2. Check all the bolts and components at frequent intervals to make sure that they are properly tightened.
3. Never store a motorized accessory with fuel in the fuel tank inside a building where ignition sources are present such as hot water and space heaters, clothes dryers, and the like. Allow the engine to cool before storing in any enclosure.
4. Always refer to the owner's manual when you store the accessory and vehicle for a prolonged or an unspecified length of time.
5. Maintain or replace safety and instruction labels, as necessary.
6. For winter accessories, (if applicable), let the engine run for a few minutes after clearing snow in order to prevent the rotary parts from freezing.
7. Inspect the vehicle's and accessory's air filter (if applicable) every day. Clean it or replace it as necessary. Change the oil more often when working in dusty conditions. See the vehicle's and accessory's owner's manual.

### TRANSPORT







1. Review Transport Safety instructions in vehicle manual before moving.
2. Check with local authorities regarding transport on public roads. Obey all applicable laws and regulations.
3. Make sure all lights and reflectors that are required by the local highway and transport authorities (example : SMV (Slow Moving Vehicle)) are in place, are clean, and can be seen clearly by all overtaking and oncoming traffic.
4. Never have the equipment in operation during transport.
5. Always travel at a safe speed.



# SAFETY DECALS



REPLACE IF DECALS ARE DAMAGED  
SEE PARTS BREAKDOWN FOR DECAL LOCATION

Symbol	Description
Decal #105126 	To avoid serious injury: Keep hands, feet & clothing away from rotating auger while the vehicle's engine is running.
Decal #105127 	To avoid serious injury: Keep hands out of this discharge chute while the vehicle's engine is running.
Decal #105852 	To avoid serious injury: Keep people and clothing away. Do not operate without all driveline, tractor and equipment shields in place, nor without the drivelines securely attached at both ends.
Decal #106378 	To avoid serious injury: Always keep hand & clothing away from rotating gear and roller chain Always use the snowblower with all the guards in place.
Decal #105130 	Before installing or using: Locate, read and make sure to understand all of the owner's manual.
Decal #105131 	Refer to owner's manual about wearing safety glasses, ear muffs and mask. Refer to owner's manual for use of counter weights, cat tracks and tire chains.

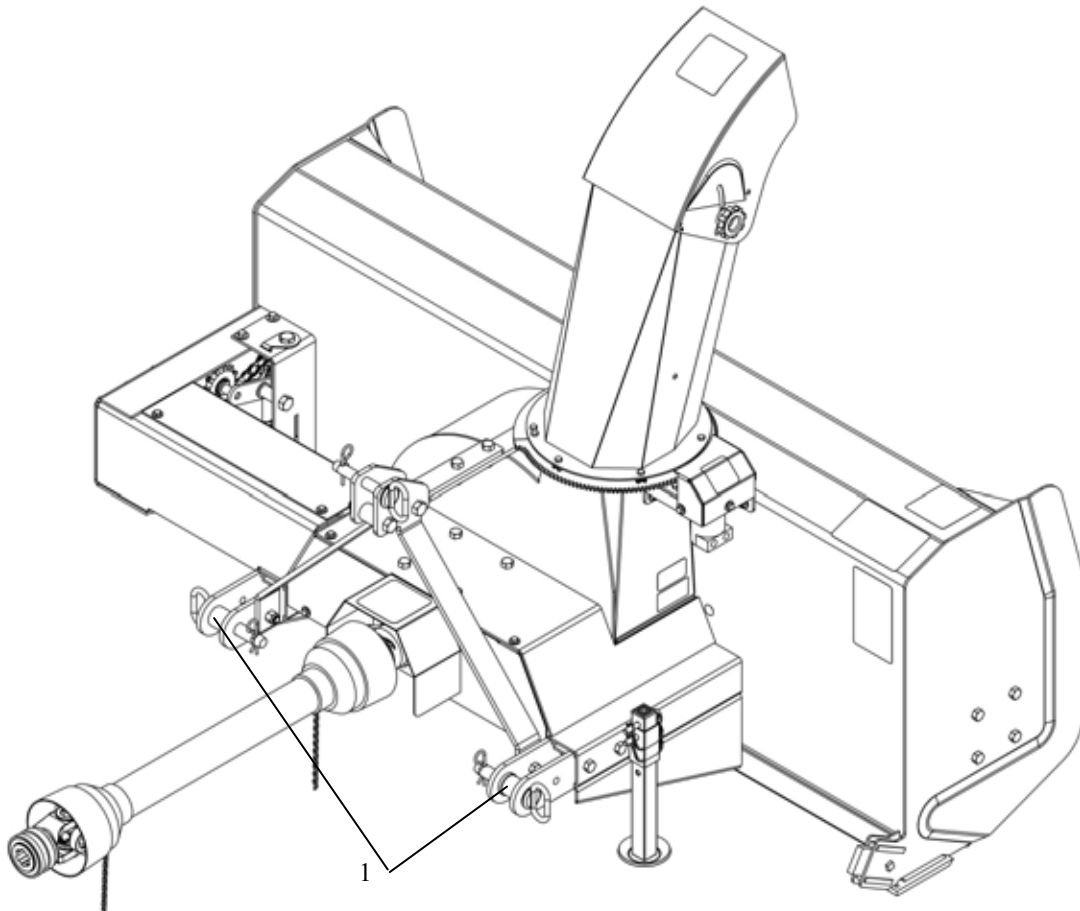
# ASSEMBLY

## ASSEMBLY INSTRUCTIONS

**IMPORTANT: UNLESS OTHERWISE SPECIFIED TORQUE ALL BOLTS ACCORDING TO TORQUE SPECIFICATION TABLE (SEE TABLE OF CONTENTS) WHEN STATED: TIGHTEN FIRMLY. REFER TO PARTS BREAKDOWN SECTION FOR PART IDENTIFICATION.**

**NOTE:** In this manual, the right and left side is determined being at the rear of the snowblower

Remove the snowblower from the shipping crate.  
Remove the support plates from the skid shoes.  
Remove the other components from the crate.



**Note :** This snowblower can be installed on a tractor with a standard 3 point hitch category 1 and on a tractor equipped with a 3points quick hitch category 1. To install with the quick hitch the sleeve (item 1) must be in place. For a standard 3 points hitch, the sleeve must be removed.

## TOOLS REQUIRED

Wrench: 7/16"  
Socket: 7/16"  
Ratchet

Overall view



# ASSEMBLY

## STEP 1 SNOWBLOWER PREPARATION

**NOTE:** This step requires two people.

Wrap the rotation ring (item 1) (groove inside) around the edge of the discharge chute (item 2) as shown.

Place the chute (item 3) (opening facing forward) over the rotation ring.

**IMPORTANT:** The ring must be inside the base of the chute. It is the chute that will hold the rotation ring in place.

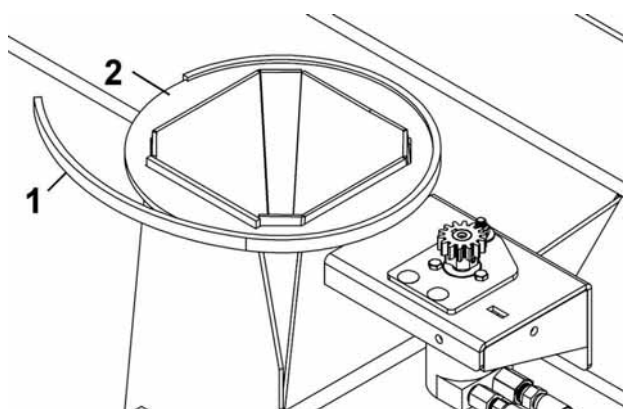
On the right side of snowblower, install the grooved rotation ring (item 4) under the chute as shown.

Secure the chute and rotation ring in place with six hex bolts 1/4" x 1 1/4" (item 5) and nuts as shown. Do not tighten too firmly.

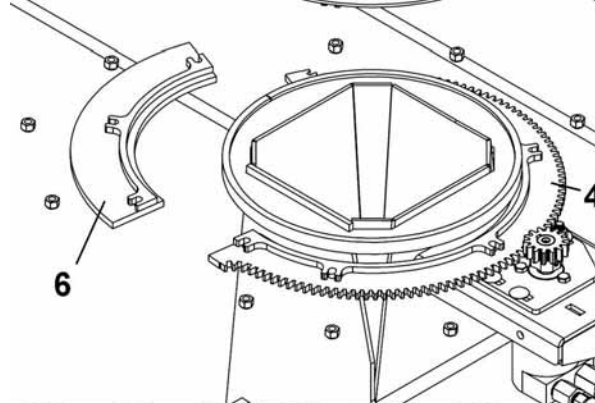
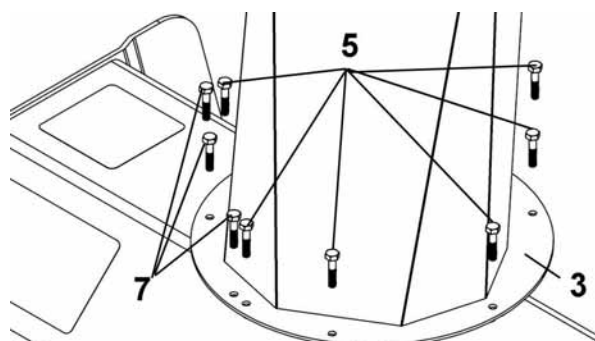
On the left side of the snowblower, install the other half of rotation ring (item 6) under the chute as shown.

Secure the chute and rotation ring in place with three hex bolts 1/4" x 1 1/4" (item 7) and nuts (as shown). Do not tighten the nuts too firmly.

(Nuts that are too tight might prevent the chute from rotating side to side. Only a slight pressure is necessary).



Install the rotation ring



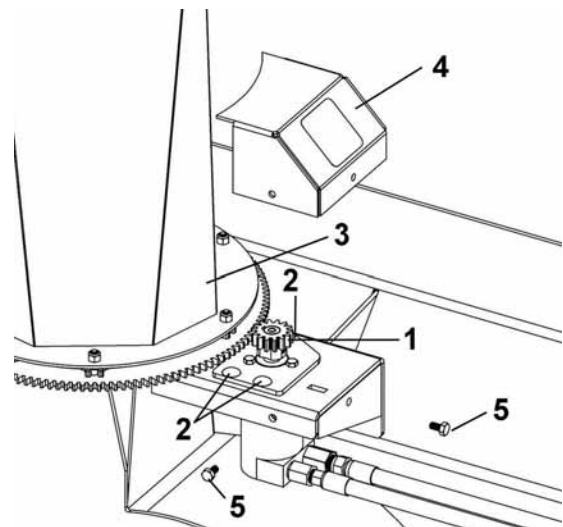
Install the rotation ring & chute

# ASSEMBLY

Adjust the hydraulic motor (item 1) by loosening the three nuts on the carriage bolts (item 2) that hold the hydraulic motor in place. Do not remove the nuts.

Slide the motor towards the chute (item 3) as shown (the grooves on the motor's sprocket must match those of the rotation ring). Adjust and retighten the nuts. Tighten firmly.

Install the sprocket guard (item 4) as shown and secure in place with two 1/4" x 1/2" bolts (item 5).



Install the sprocket guard



## WARNING



Operate only when all the guards are in place.

## STEP 2

### ACCESSORIES 3 POINTS HITCH CONFIGURATION

This 3 points hitch accessory can be adjusted as per your needs.

#### Location A :

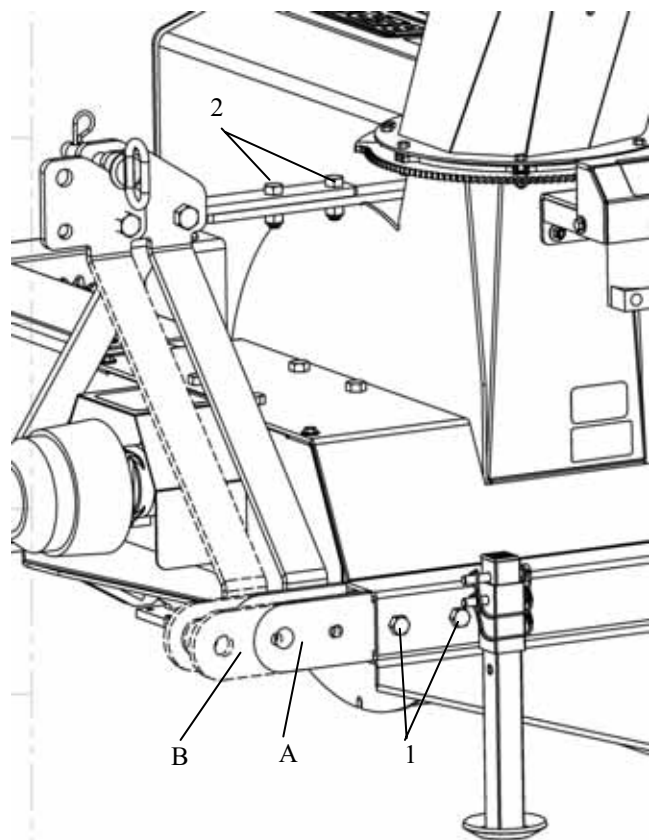
- Will reduce the overall length of the tractor with the accessory
- However, reduces the height at which accessory may be raised and lowered because of the high angle of the PTO driveshaft

#### Location B :

- Lengthens the overall length of the tractor with the accessories
- Increases the height at which the accessories may be raised or lowered because of the lower angle of the PTO driveshaft

The accessory is configured to location A. To use location B:

1. Remove the 4 bolts 1/2 x 3-3/4 (item 1) and nuts
2. Remove the 2 bolts 1/2 x 1-1/2 (item 2) and nuts
3. Displace hitch as shown
4. Reinstall all bolts and nuts



# ASSEMBLY

## STEP 3

### PTO DRIVESHAFT PREPARATION AND INSTALLATION

Refer to parts breakdown section for parts identification.

The length of the PTO drive shaft must be adjusted in regards to the length of the arms of the tractor or the options

#### PTO drive shaft length required

Install the snowblower on your tractor

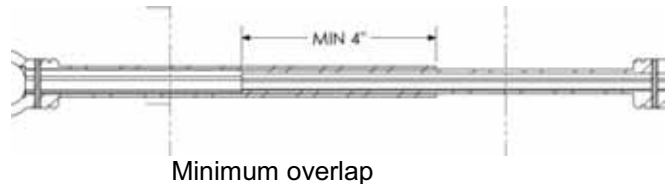
The length of the drive shaft must be :



Maximum : Make sure the shaft is not bottoming within all movement range of the accessory/3 points hitch.

Minimum : It has to be long enough to make sure that within all movement range of the accessory that the pto drive shaft has a minimum overlap of 4 inches.

See next section if you need to adjust the length of the PTO shaft

NOTE : is the owner's / user's responsibility to make sure the installation meets these requirements.



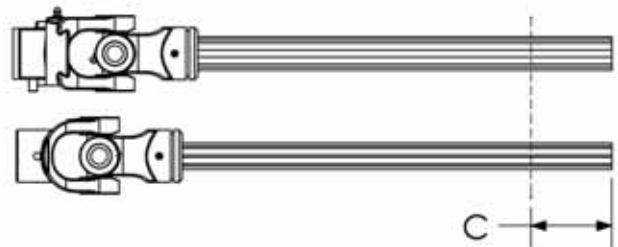
	<b>WARNING</b>	
<b>TO PREVENT INJURIES:</b> Never leave the driver seat without disengaging the snowblower, stopping the engine, applying the parking brakes and removing the ignition key.		

#### PTO drive shaft length adjustment

If needed, remove the length C from the PTO shaft

To cut the PTO driveshaft :

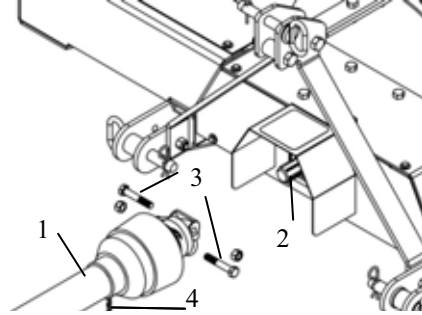
- a. Remove the PTO guards.
- b. Cut the male and female part of the driveshaft of the same length (distance C) then deburr the end of the driveshaft that were cut
- c. Cut the 2 PTO guards of the same length
- d. Grease all metallic part
- e. Reinstall the guards



# ASSEMBLY

## PTO driveshaft installation

Install the PTO driveshaft (item 1) on the snowblower input shaft (item 2). Then install the two bolts M12x1.25x70 Grade 8.8 (item 3) and nuts



## PTO driveshaft chain installation

Install the PTO driveshaft chain (item 4) on the accessory

## STEP 4

### HYDRAULIC HOSES PREPARATION AND ASSEMBLY

#### HYDRAULIC HOSES

The quick connect and hoses length requirement differ a lot depending on the make and model of the tractor, or the options installed, they are no hydraulic hoses provided with this snowblower. Obtain hoses locally.

#### HYDRAULIC FLOW CONTROL

The hydraulic flow differ from one tractor to another. Obtain a hydraulic flow control orifice matching your hoses. We suggest an orifice with a diameter of 1/32" but this must be validated as per the specific tractor.



## CAUTION



It is very important to choose the right hydraulic control valve to slow down the rotation to ensure the operator have proper control of the chute rotation. This is to avoid chute rotating in the wrong direction causing property damage or injuring someone.

## STEP 5

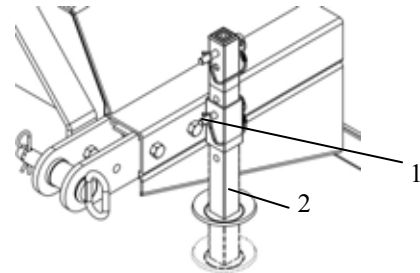
### SNOWBLOWER INSTALLATION

Refer to parts breakdown section for parts identification.

Remove the parking stand after installing on the tractor 3 points hitch. :

Remove the lock pin (item 1) then raise the parking stand (item 2) and reinstall the lock pin

Install the PTO driveshaft on the input shaft of the tractor



## STEP 6

### TRACTOR AND SNOWBLOWER ADJUSTMENTS

Refer to parts breakdown section for parts identification.



## CAUTION



The lift span of the 3 point hitch must be adjusted to ensure the PTO driveshaft will not be damaged :

Adjust the lower and higher stopper location on the 3 points hitch lifting lever on the tractor. The lifting stopper must be adjusted to ensure the PTO driveshaft angle is not more than 35 degrees  
In addition the PTO tractor output shaft and the snowblower input shaft must be parallel. If this is not the case, you must adjust the top link of the 3 point quick hitch.

# OPERATION

**NOTE:** To increase the life span of the components, always disengage the snowblower when it is raised at top level.

## **SNOWBLOWER OPERATION** **IMPORTANT:**

Always inspect the hydraulic components and hoses before using. Replace any damaged or worn parts immediately. If you suspect a hose leak, **DO NOT** use your hand to locate it. Use a piece of cardboard or wood.

- a) Make sure the snowblower is clear of snow before engaging the snowblower.
- b) Make sure that the auger and impeller operate freely.
- c) Start the tractor engine.
- d) Before engaging the snowblower drive, always have the engine running at medium R.P.M.
- e) Operate the snowblower at maximum engine R.P.M when removing wet or sticky snow. A low R.P.M. will tend to plug the chute.
- f) Always make sure that the hydraulic hoses **never** come into contact with the mobile elements on the vehicle.
- g) Always make sure that the electric wires **never** come into contact with the mobile elements on the vehicle.

## **CONTROLS**

### **CHUTE ROTATION**

Use the tractor's hydraulic control to turn the chute from one side to the other with the hydraulic chute rotation . If the chute does not turn in the desired direction, review hoses installation.

### **CHUTE DEFLECTOR**

Set the angle of the deflector according to the distance the snow must be thrown and to prevent property damage. To change the deflector angle, loosen the two deflector knobs & adjust the deflector to the appropriate angle and retighten the two knobs securely.

## **SNOW REMOVAL**

When removing snow, do not use the snowblower as a dozer blade to push snow. Allow snowblower to ingest snow at its own speed. If the speed of your tractor is too fast, the snowblower may become overloaded and plug. For best results, raise the snowblower and remove a top layer of snow. A second pass with the snowblower will remove the remaining snow.



## **WARNING**



Read the tractor Owner's Manual carefully. Be thoroughly familiar with the controls & proper use of the attachment. Know how to stop the attachment & disengage the controls quickly.



## **WARNING**



Hand contact with the rotating impeller inside the discharge chute is the most common cause of injury associated with snowblowers. Never use your hand to clean out the discharge chute.

- Do not attempt to clear plugged chute, auger or fan of snow while the tractors engine is running.
- Disengage snowblower.
- Lower snowblower to the ground and set parking brake.
- SHUT THE ENGINE OFF & REMOVE KEY!**
- Wait 10 seconds to be sure that all moving parts such as the impeller blades have stopped moving.
- Always use a clean-out tool (a minimum 3feet wood stick) , NOT YOUR HANDS



## **WARNING**



**TO PREVENT INJURIES:**  
Never leave the driver seat without disengaging the snowblower, stopping the engine, applying the parking brakes and removing the ignition key. Never operate on slopes of more than 10%.



## **WARNING**



- Always check to see that both ends of the PTO shaft are securely attached every time the snowblower is used.
- This should always be done with the tractor engine off
- Do not run the snowblower without the PTO shield in place
- Operate only with ROPS and seatbelt equipped tractors
- Never operate over 540 PTO rpm speed

# MAINTENANCE



## WARNING



**TO PREVENT INJURIES:**  
Stop the tractor engine.  
Apply parking brake.  
Remove the ignition key.

## MAINTENANCE

- Check mounting bolts at frequent intervals for proper tightness in order to prevent costly repairs. Make sure your snowblower is in safe working condition.
- Provide adequate blocking before working under the snowblower when in raised position.

## ADJUSTMENTS

### Skid shoe adjustment:

LEVEL PAVED SURFACE: Adjust skid shoes to allow 3/16" to 1/4" or 5mm to 7mm clearance between cutting edge and surface.

UNEVEN OR GRAVEL SURFACE: Adjust skid shoes to allow 1/2" to 5/8" or 13mm to 16mm clearance between cutting edge and surface.

## CUTTING EDGE MAINTENANCE

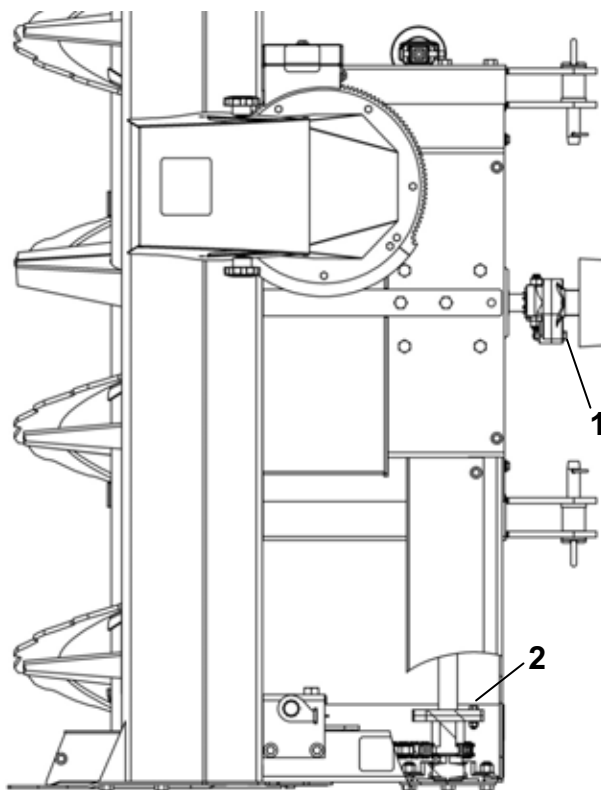
Verify from time to time the wearing on the cutting edge to make sure you do not wear out the base of the snowblower's chassis. This cutting edge is reversible.

## AUGERS, FAN AND DRIVESHAFT SHEAR BOLT REPLACEMENT

Shear bolts are to be considered a preventive measure and not an assured protection. Operator vigilance is required. Thoroughly inspect the areas where the snowblower is to be used and remove all foreign objects.

To avoid damage to the snowblower:

Use only the original shear bolts for the PTO driveshaft (item 1) and the auger (item 2) as specified in the parts breakdown.



## LUBRICATION

Apply oil at all pivot points.

Chute Rotation System: Oil chute base every sixteen hours of operation.

### Gear box:

Oil change :

First oil change : after 1 year or after 100 hours if the accessory runs more than 100hours a year

Other oil change : each year or after 600 hours if the accessory runs more than 600hours a year

The oil is SAE90.EP and the quantity is 1.2 Liter

### PTO drive shaft and greasable bearings:

Grease at each 8hour of use

### Roller Chain

Oil at each 8 hour of use

## DISMOUNTING & STORAGE

### SNOWBLOWER DISMOUNTING



### WARNING



#### TO PREVENT INJURIES:

**Park the vehicle on a flat surface in a well ventilated area.**

**Disengage the P.T. O.**

**Lower the accessory and stop the engine**

**Apply parking brake.**

**Wait until all moving parts have stopped before leaving the driver's seat.**

**Use wheel chocks.**

### END OF SEASON STORAGE

- a) Clean thoroughly and repaint all parts from which paint has worn.
- b) List the replacement parts that will be needed for the next season.
- c) Store the components in a dry place.
- d) Follow the instructions in the Lubrication section.

Lower the parking stand then remove the snowblower from the 3points hitch

**ATTENTION:** Always install the protective covers on the ends of the hydraulic hoses when they are disconnected. This is to prevent any pollutants from entering the vehicle's accessory's hydraulic system.

**ATTENTION:** Clean up all oil spills to prevent accidents.

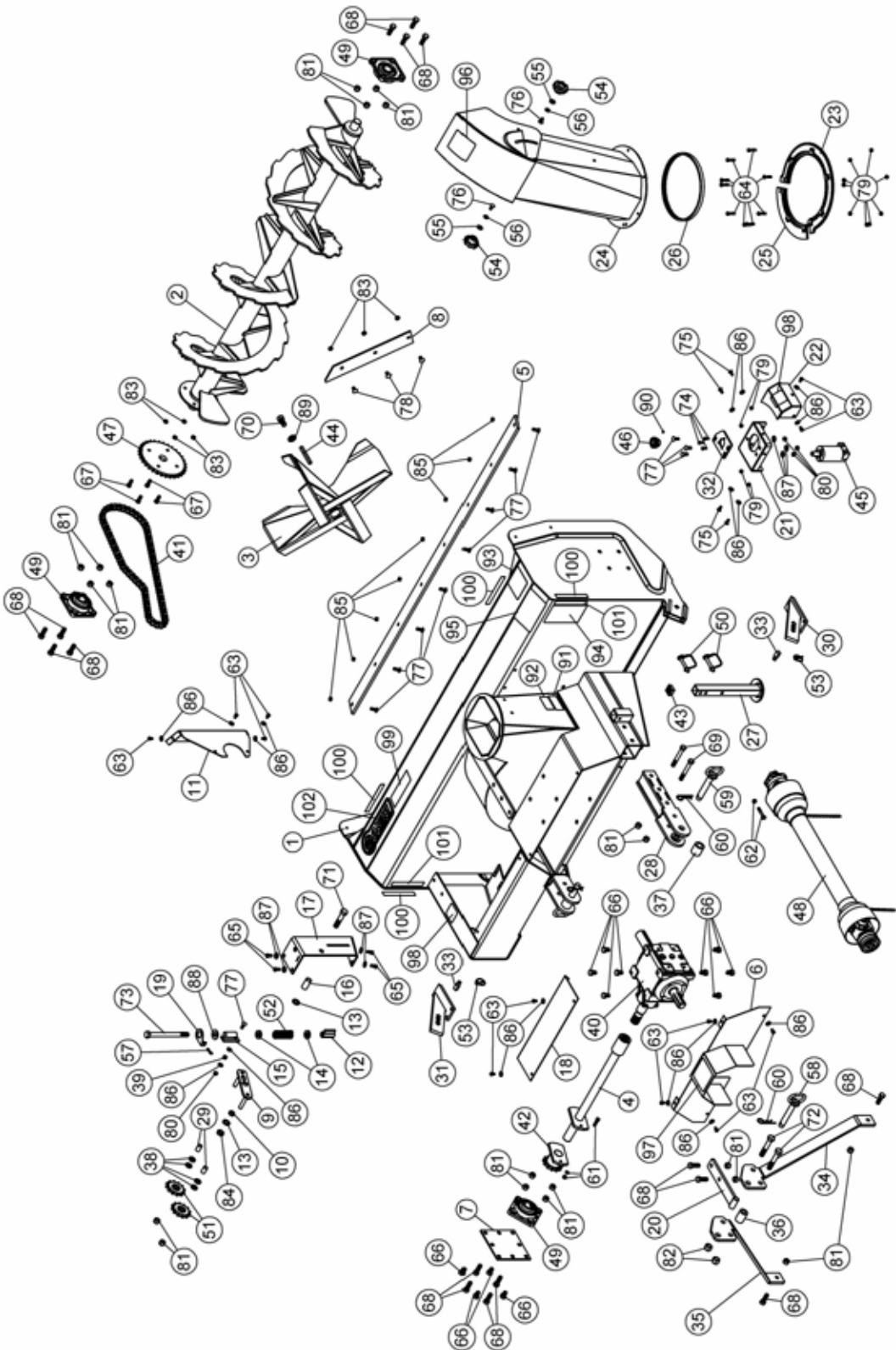
# TROUBLESHOOTING

\* Please refer to parts breakdown section for parts identification.

PROBLEM	POSSIBLE CAUSES	CORRECTIVE ACTION
Snowblower vibrates or is abnormally noisy.	Damaged auger	Replace auger.
	Damaged drive shaft.	Replace drive shaft.
	Damaged bearing.	Replace bearing.
	Damaged fan.	Dismount & repair or replace fan.
	Driveline is not well installed.	Reinstall the driveline according to the instructions in Step 3.
	Driveline angle is more than 35 degrees	See tractor and accessories adjustment section
	The snowblower input shaft is not parallel with the tractor output shaft	Adjust using the higher link of the 3points hitch linkage attachment
The auger have stopped turning.	Shear bolt is probably broken.	Replace shear bolt (for identification, see Parts List "Snowblower"). Also see "Maintenance" section.
Snowblower stopped turning.	Shear bolt is probably broken.	Replace shear bolt (for identification, see Parts List "Snowblower"). Also see "Maintenance" section.
	Damaged drive shaft.	Replace drive shaft.
Chute rotation is difficult.	Dirt or ice may be underneath chute.	Clean the base of chute & the rotation ring.
	The base of the chute or the rotation ring may be damaged or bent.	Replace defective parts.
	Dirt in the oil	Clean oil
The chute plugs easily.	Vehicle engine is turning too slowly.	Always have engine at full R.P.M. when using the snowblower.
	Advancing too quickly with vehicle.	Reduce speed. Allow snowblower to ingest snow at its own speed.
Snowblower digs into ground.	Ground is not frozen or too soft.	Adjust skid shoes lower so they may better support the snowblower.
Snowblower does not raise evenly.	Uneven tire pressure from one side to another or 3 points hitch badly adjusted	Refer to the vehicle's owner manual for tire pressure. Check and adjust tractor tire pressure. Tire pressure must be even on both sides of vehicle.



# PARTS BREAKDOWN 3 POINT 64" SNOWBLOWER



## PARTS BREAKDOWN 3 POINT 64" SNOWBLOWER

Ref. Réf.	English description	Description française	Qty. Qté.	Part # Pièce #
1	64" Frame with safety decal	Châssis 64" avec décalque de sécurité	1	106739
2	Auger 64"	Vis 64"	1	106749
3	Fan	Éventail	1	106750
4	Driving shaft	Arbre de commande	1	106149
5	Cutting edge 64"	Racloir 64"	1	106751
6	Driveline guard with safety decal	Garde de l'arbre à cardan avec déc. de sec.	1	106781
7	Bearing plate	Plaque de roulement	1	106753
8	Reinforcement	Renfort	1	106754
9	Bender	Tendeur	1	106755
10	Sleeve	Douille	1	106756
11	Chain guard	Garde de chaîne	1	106757
12	Adjustment guide	Guide d'ajustement	1	106758
13	Spacer	Espaceur	2	106759
14	Spacer	Espaceur	2	102753
15	Bender support	Support du tendeur	1	106760
16	Sleeve	Douille	1	106761
17	Bender frame	Châssis du tendeur	1	106762
18	Shaft guard	Garde de l'arbre	1	106763
19	Lock	Barrure	1	106764
20	Link	Lien	1	106729
21	Motor support	Support moteur	1	106770
22	Sprocket guard with safety decal	Garde pignon avec décalque de séc.	1	106771
23	Half rotation ring	Demi anneau de rotation	1	106362
24	Chute with safety decal	Goulotte avec décalque de séc.	1	106440
25	Half rotation ring	Demi anneau de rotation	1	106363
26	Rotation ring	Anneau de rotation	1	106364
27	Parking stand	Pied de stationnement	1	106765
28	Mounting plate	Plaque d'attache	2	106767
29	Sleeve	Douille	2	104145
30	Right skid shoe	Patin droit	1	106373

O/L = Obtain Locally

## PARTS BREAKDOWN 3 POINT 64" SNOWBLOWER

Ref. Réf.	English description	Description française	Qty. Qté.	Part # Pièce #
31	Left skid shoe	Patin gauche	1	106374
32	Support plate	Plaque de support	1	106366
33	Pin	Goupille	2	106375
34	Right Lever Arm	Bras de Levier Droit	1	106731
35	Left Lever Arm	Bras de Levier Gauche	1	106732
36	Sleeve	Douille	1	106733
37	Sleeve	Douille	2	106735
38	Washer	Rondelle	4	104122
39	Sleeve	Douille	1	106826
40	Gear Box	Boîte d'engrenage	1	106148
41	Chain #60 x 78 links/conn.link	Chaîne #60 x 78 mailles/maille acc.	1	106156
42	Sprocket with Shear Pin	Pignon avec Goupille de Cisaillement	1	106151
43	Square Tube Plug	Bouchon Pour Tube Carré	1	106775
44	Key 3/8 x 3/8 x 3-1/2	Clé 3/8 x 3/8 x 3-1/2	1	106776
45	Hydraulic motor with key	Moteur Hydraulique avec clé	1	105783
46	Gear	Pignon	1	105887
47	Sprocket	Pignon	1	106155
48	Drive shaft	Arbre de commande	1	106153
49	Flange Mounted Bearing	Roulement Appliqué	3	106150
50	Lock pin	Tige de verrouillage	2	103563
51	Idler sprocket with bearing	Pignon tendeur avec roulement	2	106152
52	Spring	Ressort	1	105118
53	Lynch pin	Goupille à anneau	2	104481
54	Knob	Bouton	2	102020
55	Nylon flat washer 11/32"	Rondelle plate de nylon 11/32"	2	102009
56	Nylon flat washer 7/16"	Rondelle plate de nylon 7/16"	2	102011
57	Hair pin 2mm	Goupille à ressort 2mm	1	102430
58	Pin with hair pin 4mm	Goupille avec goupille à ressort 4mm	1	106736
59	Pin with hair pin 4mm	Goupille avec goupille à ressort 4mm	2	106738
60	Hair pin 4mm	Goupille à ressort 4mm	3	102054

O/L = Obtain Locally

## PARTS BREAKDOWN 3 POINT 64" SNOWBLOWER

Ref. Réf.	English description	Description française	Qty. Qté.	Part # Pièce #
61	Shear bolt / H.N. / lock washer (auger)	B. de séc. / E.H. / r. blocage (vis) pqt-10	1	106983
62	Shear bolt / N.I.L.N. (fan) pkg-10	Boulon de séc. / E.G.N. (éventail) pqt-10	1	106984
63	Hex. bolt 1/4" n.c. x 1/2" GR5	Boulon hex. 1/4" n.c. x 1/2" GR5	12	O/L
64	Hex. bolt 1/4" n.c. x 1 1/4" GR5	Boulon hex. 1/4" n.c. x 1 1/4" GR5	9	O/L
65	Hex. bolt 5/16" n.c. x 3/4" GR5	Boulon hex. 5/16" n.c. x 3/4" GR5	4	O/L
66	Hex. bolt 1/2" n.c. x 3/4" GR5	Boulon hex. 1/2" n.c. x 3/4" GR5	12	O/L
67	Hex. bolt 3/8" n.c. x 1" GR5	Boulon hex. 3/8" n.c. x 1" GR5	4	O/L
68	Hex. bolt 1/2" n.c. x 1 1/2" GR5	Boulon hex. 1/2" n.c. x 1 1/2" GR5	16	O/L
69	Hex. bolt 1/2" n.c. x 3 3/4" GR5	Boulon hex. 1/2" n.c. x 3 3/4" GR5	4	O/L
70	Hex. bolt 5/8" n.c. x 1 1/4" GR5	Boulon hex 5/8" n.c. x 1 1/4" GR5	1	O/L
71	Hex. bolt 5/8" n.c. x 3" GR5	Boulon hex 5/8" n.c. x 3" GR5	1	O/L
72	Hex. bolt 5/8" n.c. x 3 1/2" GR5	Boulon hex 5/8" n.c. x 3 1/2" GR5	2	O/L
73	Hex. bolt 5/8" n.c. x 7 1/2" GR5	Boulon hex 5/8" n.c. x 7 1/2" GR5	1	O/L
74	Hex. bolt M6 x 1.00 x 16 GR8.8	Boulon hex. M6 x 1.00 x 16 GR8.8	3	O/L
75	Carriage bolt 1/4" n.c. x 3/4 " GR5	Boulon à carrosserie 1/4" n.c. x 3/4" GR5	4	O/L
76	Carriage bolt 5/16" n.c. x 3/4 " GR5	Boulon à carrosserie 5/16" n.c. x 3/4 " GR5	2	O/L
77	Carriage bolt 5/16" n.c. x 1 " GR5	Boulon à carrosserie 5/16" n.c. x 1 " GR5	12	O/L
78	Carriage bolt 3/8" n.c. x 3/4 " GR5	Boulon à carrosserie 3/8" n.c. x 3/4" GR5	3	O/L
79	Nylon Insert lock Nut 1/4" n.c.	Écrou à garniture de nylon 1/4" n.c.	13	O/L
80	Nylon Insert lock Nut 5/16" n.c.	Écrou à garniture de nylon 5/16" n.c.	4	O/L
81	Nylon Insert lock Nut 1/2" n.c.	Écrou à garniture de nylon 1/2" n.c.	22	O/L
82	Nylon Insert lock Nut 5/8" n.c.	Écrou à garniture de nylon 5/8" n.c.	2	O/L
83	Nylon insert lock nut 3/8" n.c. (thin)	Écrou à garniture de nylon 3/8" n.c. (mince)	7	O/L
84	Nylon insert lock nut 5/8" n.c. (thin)	Écrou à garniture de nylon 5/8" n.c. (mince)	1	O/L
85	Stover lock nut 5/16" n.c.	Écrou de blocage 5/16" n.c.	8	O/L
86	Flat washer 5/16" hole	Rondelle plate 5/16" trou	18	O/L
87	Flat washer 3/8" hole	Rondelle plate 3/8" trou	7	O/L
88	Flat washer 11/16" hole	Rondelle plate 11/16" trou	1	O/L
89	Wedge lock washer 5/8"	Rondelle de blocage en coin 5/8"	1	O/L
90	Socket head set screw 1/4" n.c. x 1/4" (knurled)	Vis à pression à tête plate 6PC 1/4" n.c. x 1/4" (moletée)	1	O/L

O/L = Obtain Locally

## PARTS BREAKDOWN 3 POINT 64" SNOWBLOWER

Ref. Réf.	English description	Description française	Qty. Qté.	Part # Pièce #
91	Serial number	Numéro de série	1	REF
92	Made in Canada decal	Décalque Fabriqué au Canada	1	REF
93	Decal danger auger	Decalque danger vis	1	105126
94	Decal read instructions	Decalque lire instructions	1	105130
95	Decal warning safety	Decalque avertissement sécurité	1	105131
96	Danger decal chute	Décalque danger goulotte	1	105127
97	Decal PTO	Décalque PTO	1	105852
98	Decal "Warning gear"	Decalque "Danger engrenages"	2	106378
99	Pro Series 2000 decal	Décalque Pro Series 2000	1	106812
100	Red reflector decal	Décalque réflecteur rouge	4	106814
101	Yellow reflector decal	Décalque réflecteur jaune	2	106815
102	Berco decal	Décalque Berco	1	103785

O/L = Obtain Locally

# TORQUE SPECIFICATION TABLE

## GENERAL TORQUE SPECIFICATION TABLE USE THE FOLLOWING TORQUES WHEN SPECIAL TORQUES ARE NOT GIVEN

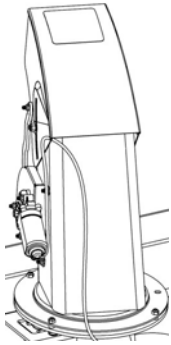
**NOTE:** These values apply to fasteners as received from supplier, dry or when lubricated with normal oil. They do not apply if special graphited or moly disulphide greases or other extreme pressure lubricants are used. This applies to both UNF and UNC threads.

\* Thick nuts must be used with grade 8 bolts

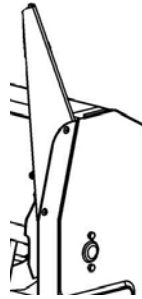
SEE Grade No.		2				5				8 *			
BOLT HEAD IDENTIFICATION MARKS AS PER GRADE NOTE MANUFACTURING MARKS WILL VARY		TORQUE				TORQUE				TORQUE			
BOLT SIZE		FOOT POUNDS		NEW TON-METERS		FOOT POUNDS		NEW TON-METERS		FOOT POUNDS		NEW TON-METERS	
Inches	Millimetre	Min.	Max.	Min.	Max.	Min.	Max.	Min.	Max.	Min.	Max.	Min.	Max.
1/4"	6.35	5	6	6.8	8.13	9	11	12.2	14.9	12	15	16.3	30.3
5/16"	7.94	10	12	13.6	16.3	17	20.5	23.1	27.8	24	29	32.5	39.3
3/8"	9.53	20	23	27.1	31.2	35	42	47.5	57	45	54	61	73.2
7/16"	11.11	30	35	40.7	47.4	54	64	73.2	86.8	70	84	94.9	113.9
1/2"	12.7	45	52	61	70.5	80	96	108.5	130.2	110	132	149.2	179
9/16"	14.29	65	75	88.1	101.6	110	132	149.2	179	160	192	217	260.4
5/8"	15.88	95	105	128.7	142.3	150	180	203.4	244.1	220	264	298.3	358
3/4"	19.05	150	185	203.3	250.7	270	324	366.1	439.3	380	456	515.3	618.3
7/8"	22.23	160	200	216.8	271	400	480	542.4	650.9	600	720	813.6	976.3
1"	25.4	250	300	338.8	406.5	580	696	786.5	943.8	900	1080	1220.4	1464.5

METRIC BOLT TORQUE SPECIFICATIONS							
		COARSE THREAD			FINE THREAD		
Size Screw	Grade No.	Pitch (mm)	Foot Pounds	Newton-Meters	Pitch (mm)	Foot Pounds	Newton-Meters
M6	4T	1.00	3.6 - 5.8	4.9 - 7.9	-	-	-
	7T		5.8 - 9.4	7.9 - 12.7		-	-
	8T		7.2 - 10	9.8 - 13.6		-	-
M8	4T	1.25	7.2 - 14	9.8 - 19	1.00	12 - 17	16.3 - 23
	7T		17 - 22	23 - 29.8		19 - 27	25.7 - 36.6
	8T		20 - 26	27.1 - 35.2		22 - 31	29.8 - 42
M10	4T	1.50	20 - 25	27.1 - 33.9	1.25	20 - 29	27.1 - 39.3
	7T		34 - 40	46.1 - 54.2		35 - 47	47.4 - 63.7
	8T		38 - 46	51.5 - 62.3		40 - 52	54.2 - 70.5
M12	4T	1.75	28 - 34	37.9 - 46.1	1.25	31 - 41	42 - 55.6
	7T		51 - 59	69.1 - 79.9		56 - 68	75.9 - 92.1
	8T		57 - 66	77.2 - 89.4		62 - 75	84 - 101.6
M14	4T	2.00	49 - 56	66.4 - 75.9	1.50	52 - 64	70.5 - 86.7
	7T		81 - 93	109.8 - 126		90 - 106	122 - 143.6
	8T		96 - 109	130.1 - 147.7		107 - 124	145 - 168
M16	4T	2.00	67 - 77	90.8 - 104.3	1.50	69 - 83	93.5 - 112.5
	7T		116 - 130	157.2 - 176.2		120 - 138	162.6 - 187
	8T		129 - 145	174.8 - 196.5		140 - 158	189.7 - 214.1
M18	4T	2.00	88 - 100	119.2 - 136	1.50	100 - 117	136 - 158.5
	7T		150 - 168	203.3 - 227.6		177 - 199	239.8 - 269.6
	8T		175 - 194	237.1 - 262.9		202 - 231	273.7 - 313
M20	4T	2.50	108 - 130	146.3 - 176.2	1.50	132 - 150	178.9 - 203.3
	7T		186 - 205	252 - 277.8		206 - 242	279.1 - 327.9
	8T		213 - 249	288.6 - 337.4		246 - 289	333.3 - 391.6

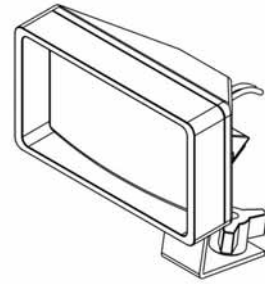
## OPTIONS & ACCESSORIES



**ELECTRIC DEFLECTOR  
ADJUSTMENT KIT #700666**  
Adjusts height at which snow is  
thrown from the driver's seat.



**SNOW DRIFT CUTTER**  
#700669 for 3points snowblower pro  
series 2000  
Facilitates and increases snow  
intake.  
Pkg. of 2



**LIGHT WITH UNIVERSAL ADAPTER  
KIT**  
#700668 and #700456



***WHEN PERFORMANCE  
& DEPENDABILITY  
ARE NON NEGOTIABLE!***

**Bercomac Limitée  
92, Fortin North, Adstock, Quebec, Canada, G0N 1S0**

***WWW.BERCOMAC.COM***

**PRINTED IN CANADA**

**(ORIGINAL NOTICE)**