

700886 HD Post Hole digger for 3 point hitch
700904 HD Hole digger auger 6"
700905 HD Hole digger auger 9"



MAHINDRA

Post Hole Digger

- * ASSEMBLY
- * OPERATION
- * REPAIR PARTS
- * MAINTENANCE

CAUTION:
READ & FOLLOW ALL SAFETY RULES & INSTRUCTIONS BEFORE
OPERATING YOUR EQUIPMENT



LIMITED WARRANTY

Conditions and Products Covered:

BERCOMAC guarantees any part of the product or accessory manufactured by BERCOMAC and found in the reasonable judgment of BERCOMAC to be defective in material and or workmanship will be repaired or replaced by an authorized dealer without charge up to our maximum labor rates and pre-established times. For replacement parts only standard ground freight services are covered. This warranty applies to the products bought and used in North America.

Warranty Period

(from date of the original retail purchase)

- Residential, light commercial or regular commercial (agricultural) use: 1 year
- Commercial intense, industrial or rental use: 90 days

Exceptions Noted Below; the following items have a different coverage conditions and limited time:

- Tire Chains:
 - 90 days residential or light commercial use
 - No warranty on other application
- Engines: Will vary as per the manufacturer
Please refer to the engine manufacturer's warranty statement included with the unit. BERCOMAC is not authorized to handle warranty adjustments on engines.

Items and Conditions NOT Covered:

This warranty does not cover the following:

- Pick-up or delivery charges or in-home services fees.
- Any damage or deterioration of the unit, parts and or finish of these due to normal use, wear and tear, or exposure.
- Cost of regular use or maintenance service or parts, such as gas, oil, lubricants, tune-up parts, and adjustments.
- Any part or accessory which has been altered, modified, misused, neglected, accidentally damaged or not properly installed, maintained, stored or repaired not in accordance with the instructions in the owner's manual.
- Repair due to normal wear and or any wear items such as shear pins, bolts, belts, winch cable, cutting edge, skid shoes, etc.
- Expedited freight fee services for replacement parts.
- Shear bolts and shear pins are to be considered as a preventive measure not as an assured protection, any damages resulting from the lack of shear bolts breakage are not covered.

NOTE: All warranty work must be performed by an authorized dealer using original (manufacturer) replacement parts.

NOTE: Bercomac reserves the right to change or improve the design of any part or accessory without assuming any obligation to modify any product previously manufactured.

Instructions for Obtaining Warranty Services: Contact the Mahindra dealer where equipment was purchased or any other Mahindra service dealer to arrange service at their dealership. To locate a dealer convenient to you, access our website at www.mahindrausa.com. Don't forget to bring your proof of purchase (sales receipt) to the Mahindra dealer.

Revised 11-23-2012

Owner's Responsibilities:

BERCOMAC's defective equipment or part must be returned to an authorized dealer within the warranty period for repairs. In the event that defective merchandise must be returned to manufacturer for repairs, freight fees are prepaid and a written authorization from BERCOMAC must be obtained by dealer prior to the shipment. This warranty extends only to equipment operated under normal conditions. To validate a warranty claim, it is the user's responsibility to maintain and service the unit as specified in the owner's manual or to have the unit serviced at their dealer at their expense.

General Conditions:

The sole liability of BERCOMAC with respect to this warranty shall be strictly and exclusively repair and replacement as mentioned herein. BERCOMAC shall not have any liability for any other costs, loss or damage, including but not limited to, any incidental or consequential loss or damage.

Taking advantage of the warranty does not in any way extend the length or renewal of the warranty.

In particular, without being limited to, BERCOMAC shall have no liability or responsibility for:

- Travel time, overtime, after hours time or other extraordinary repair charges or relating to repairs and or replacements outside of normal business hours.
- Rental of like or similar replacement equipment during the period of any, repair or replacement work.
- Any communicating or travel charges.
- Loss or damage to person or property other than that covered by the terms of this warranty.
- Any claims for lost revenue, lost profit or any similar costs as a result of damage or repair.
- Attorney's fees.

BERCOMAC's responsibility in respect to claims is limited to making the required repairs or replacement without charge up to our maximum labor rates and pre-established times and no claim of breach of warranty shall be cause for cancellation or rescission of the contract of sale of any product or accessory. In no event shall recovery of any kind be greater than the amount of the purchase price of the product sold.

This warranty gives you specific legal rights. You may also have other rights, which vary from state to state.

TABLE OF CONTENTS

	PAGE
INTRODUCTION	1
IMPORTANT SAFETY INFORMATION	2
SAFETY DECALS	4
ASSEMBLY	
Assembly instructions	7
OPERATION	
Operation and Transportation	10
MAINTENANCE	
Maintenance	11
PARTS BREAKDOWN AND PARTS LIST	
Post hole digger	12
Screw replacement parts	14
Driveline replacement parts	15
TORQUE SPECIFICATION TABLE	16

INTRODUCTION

TO THE PURCHASER

This new accessory was carefully designed to give years of dependable service. This manual has been provided to assist in the safe operation and servicing of your attachment.

NOTE: All photographs and illustrations in the manual may not necessarily depict the actual models or attachment, but are intended for reference only and are based on the latest product information available at the time of publication.

Familiarize yourself fully with the safety recommendations and operating procedures before putting the machine to use. Carefully read, understand and follow these recommendations and insist that they be followed by those who will use this attachment.



THIS SAFETY ALERT SYMBOL IDENTIFIES AN IMPORTANT SAFETY MESSAGE IN THIS MANUAL THAT HELPS YOU AND OTHERS AVOID PERSONAL INJURY OR EVEN DEATH. DANGER, WARNING, AND CAUTION ARE SIGNAL WORDS USED TO IDENTIFY THE LEVEL OF HAZARD. HOWEVER, REGARDLESS OF THE HAZARD, BE EXTREMELY CAREFUL.

DANGER: Signals an extreme hazard that will cause serious injury or death if recommended precautions are not followed.

WARNING: Signals a hazard that may cause serious injury or death if the recommended precautions are not followed.

CAUTION: Signals a hazard that may cause minor or moderate injury if the recommended precautions are not followed.

Record your attachment serial number and purchase date in the section reserved below (there is no serial number on the subframe). Your dealer requires this information to give you prompt, efficient service when ordering replacement parts. Use only genuine parts when replacements are required.

If warranty repairs are required please present this registration booklet and original sales invoice to your selling dealer for warranty service.

This manual should be kept for future reference.

Please check if you have received all the parts for your kit with the list of the bag and the list of the box.

SERIAL NUMBER : _____
(IF APPLICABLE)

MODEL NUMBER: _____

PURCHASE DATE : _____

IMPORTANT SAFETY INFORMATION

Read and thoroughly understand all the instructions and safety information before assembling or operating this post hole digger. Failure to do so may cause serious injury or death. Do not allow anyone to operate this post hole digger who has not read this manual. As with all power equipment a post hole digger can be dangerous if assembled or used improperly. Do not operate this post hole digger if you have any doubts or questions concerning safe operation.

INTENDED USE

This product is designed to dig holes in the soil when attached to the 3-point linkage system and power-take-off of the tractor turning at maximum speed of 540 RPM. It is not intended for any other use. Using the product for anything other than digging holes could result in serious injury or death.

PERSONAL PROTECTIVE EQUIPMENT

Always use appropriate personal protective equipment such as eyewear and safety shoes when operating this hole digger.

Never wear loose clothing.

SAFETY DECALS

Always replace missing or defaced decals.

GENERAL SAFETY AND PREPARATION

Always make sure that anyone else who operates this post hole digger has read and understood the contents of the owner's manual and all safety decals of the product.

Always be certain that all members of the work party are familiar with the operation of the digger and the hazards associated with it.

Always check with authorities for underground utilities before digging a hole. Serious injury or death could result from contact with gas or electric lines.

Always check tractor owner's manual for instructions on operation, attachment of 3 point equipment and safety.

Always make sure that all safety shields are in place and tightened down. Do not operate this post hole digger if any shields are missing.

OPERATING SAFETY

Always operate this post hole digger from the tractor seat. Only one person should operate the digger.

Never attach the post hole digger with the tractor engine running.

Never operate the post hole digger with anyone near or in contact with any part of the accessory, PTO driveline or auger. Serious injury or death could result from entanglement with moving parts.

Always make sure that the tractor brake is set before digging a hole.

Always keep hands, feet and clothing away from power driven parts during operation.

Never manually position the auger or manually force the auger into the ground.

Always make sure that the tractor engine is shut off and the PTO drive is disengaged before leaving the tractor seat.

Never move the tractor with the PTO in the ON position.

Never exceed 540 RPM PTO operating speed

Never operate the post hole digger when the auger point is more than 6" above ground level. Operating the digger in elevated positions may cause the PTO driveline "U" joints to bind resulting in equipment damage and operator injury.

Always turn off the digger immediately if an immovable object is encountered to prevent damage to the gear box or driveshaft and possible injury. A shear bolt is provided but may become welded to the input shaft if the driveshaft is left running after being sheared.

IMPORTANT SAFETY INFORMATION

REPAIR AND MAINTENANCE SAFETY

Always perform maintenance operations such as lubrications, adjustments or repairs on the post hole digger with the tractor engine off, the PTO drive disengaged and the auger point resting on the ground.

Always use the correct shear bolt (GRADE 5).
NEVER use or replace the shear bolt with one that is longer than the one specified in the manual (3/8" x 3").

SAFETY DECALS

REPLACE IF DECALS ARE DAMAGED

⚠ DANGER		
ROTATING PARTS HAZARD KEEP AWAY TO PREVENT SERIOUS INJURY OR DEATH <ul style="list-style-type: none">• Read and understand owner's manual before operating.• Do not operate without all shields and guards in place.• Do not use body weight to force the auger in turning.• Keep away from auger, cutting head and driveline when engine is running.	DANGER PIÈCES ROTATIVES RESTEZ À L'ÉCART POUR PRÉVENIR LES BLESSURES GRAVES OU LA MORT <ul style="list-style-type: none">• Lire et suivre le manuel du propriétaire avant d'opérer.• Ne pas utiliser sans avoir tous les gardes et protecteurs en place.• Ne pas utiliser votre poids corporel pour forcer la terrière à tourner.• Restez à l'écart de la terrière et de l'arbre d'entraînement lorsque le moteur est en marche.	  107644

DECAL # 107644

LOCATION : TOP OF BOOM CLOSE TO MANUAL CANISTER

⚠ DANGER
<p>Never use a shear bolt with more than 1/8" of threads protruding to prevent entanglement and possible serious injury or death. Always keep an ample supply of shear bolts on hand (see owner's manual for dimensions).</p> <p>NOTE: Using grade other than specified may cause damage to driveline, gearbox or auger.</p>
<p>Le boulon de sécurité ne doit jamais dépasser de plus de 1/8" pour éviter toute possibilité d'emmêlement qui peut causer des blessures graves et même la mort. Toujours garder une quantité suffisante de boulons de sécurité en main. (Voir manuel du propriétaire pour les dimensions).</p> <p>NOTE: L'utilisation d'un grade autre que spécifié peut causer des dommages à l'arbre d'entraînement, la boîte d'engrenage ou la terrière.</p> <p>107643</p>

DECAL # 107643

LOCATION : SIDE OF GEARBOX INPUT GUARD

SAFETY DECALS

REPLACE IF DECALS ARE DAMAGED

⚠ WARNING

- This digger may not be compatible with all tractor models.
- Before operating, mount the boom and A-frame to the tractor.
- Rise up and lower 3-points lift arms to the max and min positions.
- Check that there is no tractor/boom interference at any position.
- If there is no interference, continue with the assembly of the digger.
- Failure in following previous instructions may result in damage to the tractor, digger, and/or personal injury.

- Cette terrière n'est pas compatible avec tous les modèles de tracteur.
- Avant d'opérer, installer le bras supérieur et le châssis A au châssis du tracteur.
- Lever et baisser les bras de relevage du 3 points jusqu'aux positions maximum et minimum.
- Vérifier toutes les position pour les interférences tracteur / bras supérieur.
- S'il n'y a aucune interférence, procédez avec l'installation de la terrière.
- Ne pas respecter ces instructions peut causer des dommages au tracteur, à la terrière et/ou des blessures.

107646

⚠ AVERTISSEMENT

DECAL # 107646
LOCATION : TOP OF BOOM BETWEEN
107647 & 107644

⚠ DANGER

TO PREVENT SERIOUS INJURY OR DEATH:

- Read and understand owner's manual before operating.
- Operate only from the tractor seat. Stay away and keep others away from rotating parts.
- Do not dig around underground utility lines without checking with authorities.
- Make sure your machine has all safety guards and shields in place. Do not operate without any guards or shields in place.
- Do not operate when auger is higher than 12" above ground level. Doing so may cause driveline to bind, resulting in equipment damage or operator injury.
- Stop auger rotation before maneuvering, relocating or transporting.

POUR ÉVITER LES BLESSURES GRAVES OU MÊME LA MORT:

- Lire et suivre les instructions dans le manuel du propriétaire.
- Opérer équipement du siège du tracteur seulement. Restez et gardez les autres à l'écart des pièces rotatives.
- Ne pas creuser près des lignes ou autres équipements de service sous-terrain sans valider au préalable avec les autorités.
- Assurez-vous que tous les gardes et protecteurs sont en place. Ne pas opérer sans avoir tous les gardes et protecteurs en place.
- Ne pas opérer lorsque la terrière est élevé plus de 12" du sol. Ceci peut causer un bris de l'arbre d'entraînement et des dommages ou des blessures à l'opérateur.
- Arrêtez la rotation de la terrière avant de manœuvrer, relocaliser ou transporter l'équipement.

107647

DECAL # 107647
LOCATION : TOP OF BOOM, TRACTOR
END SIDE & TOP OF GEARBOX INPUT
GUARD

SAFETY DECALS


REPLACE IF DECALS ARE DAMAGED

⚠ DANGER

<p>ENTANGLEMENT HAZARD CAN CAUSE SERIOUS INJURY OR DEATH</p> <ul style="list-style-type: none"> • Guard is missing when this is visible DO NOT operate. • Never manually position the auger or manually force the auger into ground. • This machine is designed to be operate ONLY from the tractor seat. • Keep everyone clear and away of all moving parts of the digger while in operation. 	 <p style="font-size: small;">107636</p>	<p>DANGER D'EMMÊLEMENT PEUT CAUSER BLESSURES GRAVES OU LA MORT</p> <ul style="list-style-type: none"> • Garde manquant quand ceci est visible NE PAS opérer. • Ne jamais positionner la terrière manuellement ni forcer la terrière dans le sol. • Cet équipement est conçu pour être opérer du siège du tracteur SEULEMENT. • Gardez les gens à l'écart de toutes pièces mobiles lorsque la terrière est en opération.
---	---	--

DECAL # 107636

LOCATION : TOP END OF AUGER TUBE

Symbol	Description
<p style="text-align: center;">Decal #105852</p> <div style="text-align: center;">  </div> <p style="text-align: center;">LOCATION : PTO DRIVESHAFT SHIELD</p>	<p>To avoid serious injury:</p> <p>Keep people and clothing away. Do not operate without all driveline, tractor and equipment shields in place, nor without the drivelines securely attached at both ends.</p>

ASSEMBLY

ASSEMBLY INSTRUCTIONS

IMPORTANT: UNLESS OTHERWISE SPECIFIED TORQUE ALL BOLTS ACCORDING TO TORQUE SPECIFICATION TABLE (SEE TABLE OF CONTENTS) WHEN STATED: TIGHTEN FIRMLY. REFER TO PARTS BREAKDOWN SECTION FOR PART IDENTIFICATION.

NOTE: In this manual, the right and left side is determined being seated on the tractor seat going forward.

Remove the post hole digger from the shipping crate.
Remove the other components from the crate.



Overall view

ASSEMBLY

Refer to the parts breakdown for part numbering

- IMPORTANT:** The gear box is shipped without lubricant. Fill the top hole with EP 90 lubricant or the equivalent. Approximately 1.75 quarts of the lubricant is enough to lubricate the gears and bearings. A greater amount will not harm the gear box. Do not fill to overflow point as this may damage the seals.
- STEP 1:** Be certain that the gear box has adequate lubrication. Check the oil level after every fifty hours of use.
- STEP 2:** Attach the boom (1) to the top link mounting bracket on the tractor using a top link pin and a lynch pin (not provided) through the swivel ball at the bottom of the boom. The ball accepts either category 1 or 2 pins.
- STEP 3:** Connect the "A" frame (5) to the tractor's 3-point lift arms using the 7/8 in. pull pins with nut and lockwasher (7) as shown in the drawing. Attach the "A" frame (5) to the boom (1) after selecting the desired hole (for angle adjustment) using the "A" frame pin (6) and lynch pin (4).
- STEP 4:** Attach the gear box (10) to the boom (1) using the boom pin supplied with the gear box. When in place secure with the cotter pins provided. NOTE: Input shaft shield (9) and output shaft shield (8) are already attached to the gear box.
- STEP 5:** Attach the auger (18,19,20, 25 or 26) to the output shaft on the bottom of the gear box (10) using the 1/2 in. hex cap screws (15), 1/2 in. lockwashers (16) and 1/2 in. hex nuts (17). Tighten the nuts.
- STEP 6:** Attach the driveline (11) to the gear box input shaft using the 3/8 in. grade 5 hex cap screw (12), the 3/8 in. lockwasher (13) and the 3/8 in. NC hex nut (14). Tighten the hex nut. Insert the 1/4 in. x 3/8 in. set screw (24) from the hardware kit in the hole on the yoke that aligns with the 3/16 in. groove on the gear box input shaft. Tighten loosely.
- ATTENTION:** THE 3/8 IN. HEX CAP SCREW PROVIDES SHEAR PROTECTION. USE A GRADE 5 3 IN. BOLT ONLY TO AVOID DAMAGE TO THE GEAR BOX OR AUGER.
- IMPORTANT:** The universal joint should be greased with a good grade chassis lube every week. At the beginning of each season grease the sliding driveshaft members with a moly grease. All diggers are equipped with quick-detach universal joints on the power-take-off end for a 1-3/8 in. splined shaft.
- STEP 7:** Attach the tractor end of the driveline (11) to the tractor PTO shaft. Push in the spring-loaded pin in the splined yoke and slip it on the splined PTO shaft of the tractor. Release the pin and push until it locks securely in place. It will be necessary to obtain a 1-1/8 in. to 1-3/8 in. sleeve spline adapter if your tractor PTO shaft has a 1-1/8 in. spline.
- STEP 8:** Attach and secure the lower chain on the driveline to the boom (1). Attach the upper chain to the hole on the gear box shield (9).
- STEP 9:** Check all nuts and bolts for tightness. Stabilizers should be kept tight to avoid side sway of the digger.

ASSEMBLY

NOTE: See illustration A for reference in assembling the digger and mounting it to the tractor. Note that the boom angle can be adjusted on your tractor for proper digging and ground clearance by moving the "A" frame to a different mounting hole as shown in illustration B.

NOTE: When the 7/8 in. diameter pull pins in the "A" frame are too small for the holes in the lift arms, bushings should be used to obtain a proper fit



ILLUSTRATION A

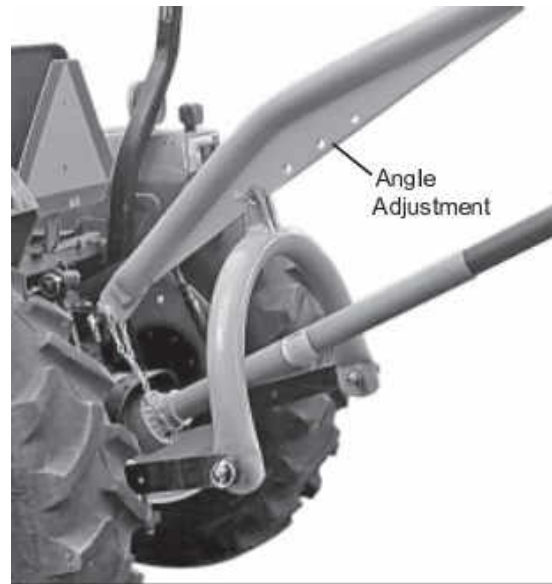


ILLUSTRATION B

OPERATION & TRANSPORTATION



WARNING



TO PREVENT INJURIES:

Read and thoroughly understand all instructions and safety information before operating this post hole digger. Failure to do so may cause serious injury or even death. Do not allow anyone to operate this post hole digger who has not read this manual.



WARNING



TO PREVENT INJURIES:

When traveling on public roads, use accessory lights, SMV sign, clean reflectors and other adequate devices to warn operators in other vehicles of your presence. Always comply with all federal, state, provincial and local laws.

OPERATING INSTRUCTIONS

IMPORTANT: 540 RPM is the maximum rotation speed for the power take off of the tractor.

Once you have familiarized yourself with the Owner's Manual and properly attached the post hole digger to the tractor you will be almost ready to start to work.

Hopefully you have checked out your work site for any buried utility cables, pipelines or other obstacles that you do not to damage or encounter.

After mounting the digger to the tractor, lower the auger point slowly to the ground to the desired digging angle before engaging power.

Engage the PTO and start digging at a slow speed, lowering the auger slowly as it begins to dig.

Increase speed as the auger goes deeper. The type of soil will determine the proper auger speed. If the soil is extremely hard, it will generally improve operation to vary the speed of the auger at times.

When the auger has reached the desired depth, spin it momentarily at a high speed to clear the hole of dirt. Reduce speed before withdrawing the auger from the hole.

Disengage the PTO after withdrawing from the hole and move the tractor to the next location.

Be sure to reduce tractor speed when turning, and leave enough room clearance so the Post Hole Digger does not come into contact with obstacles such as buildings, trees, or fences, etc.

Select a safe travel speed when transporting from one area to another.

MAINTENANCE

ALWAYS PRACTICE SAFE MAINTENANCE

Always understand the procedures before doing any work. Use the proper tools and equipment,

Always work in a clean dry area.

Lower the attachment to the ground, put tractor in park, turn off the engine and remove key before doing any maintenance.

Let the accessory cool before doing any work on it.

Disconnect the battery ground cable (-) before servicing or adjusting electrical systems or before welding on the accessory.

Inspect all parts. Make sure parts are in good condition & properly installed.
Remove any build-up of grease, oil or debris.

Check all the bolts after using the unit for a few hours to be sure they are tight. Replace worn, damaged, or illegible safety labels by obtaining new labels from your dealer.

GENERAL POST HIOLE DIGGER MAINTENANCE

Refer to the part breakdown for part numbering

To remove the auger from the gear box output shaft, take out the two 1/2" x 3" hex cap screws (item 15).

To remove the drive shaft from the gear box input shaft, take out the shear pin bolt (item 12) and 1/4" set screw (item 24).

Check oil level after every 50 hours of use. Use EP 90 lubricant and fill to oil level plug. All replacement lubricant should be of this type.

The universal joints should be greased with a good grade chassis lubricant every week. At the beginning of each season, grease the sliding driveshaft members with a moly grease.

GENERAL SCREW MAINTENANCE

It is important to replace the self-sharpening point on the auger when it shows signs of excessive wear.



WARNING



TO PREVENT INJURIES:

BEFORE DOING ANY MAINTENANCE

Park the vehicle on a flat surface in a well ventilated area.

Disengage the P.T. O. and place the auger point on the ground.

Apply parking brake.

Stop the engine and remove the ignition key.

Wait until all moving parts have stopped before leaving the driver's seat.

STORAGE

Clean, inspect service and make necessary repairs to the post hole digger when parking it for long periods and when parking it at end of working season. This will ensure that the digger is ready for use next time you need it.

Clean off any dirt that may have accumulated on the digger. Scrap off compacted dirt and wash thoroughly with a garden hose.

Check bolts for wear and replace if necessary.

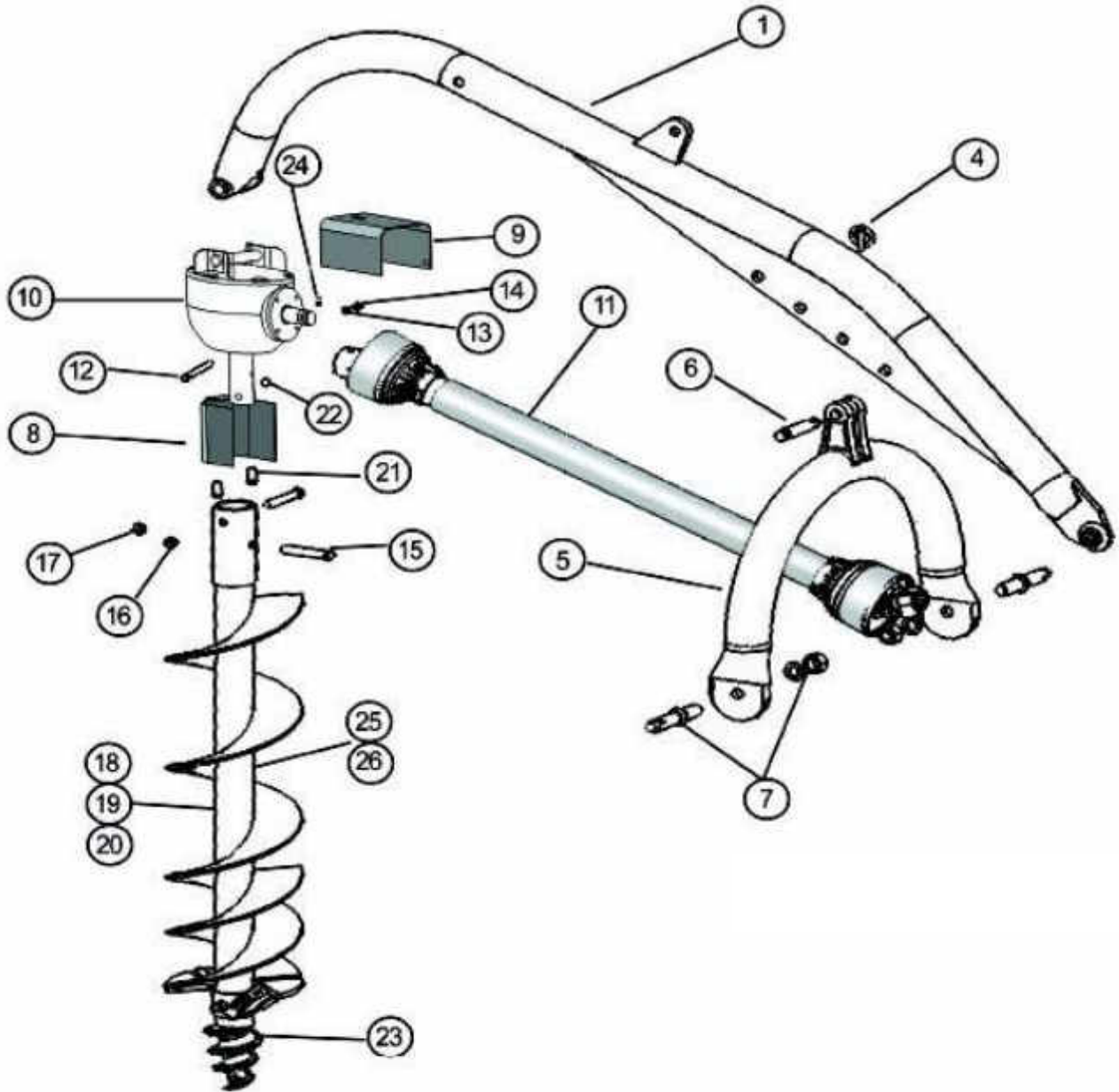
Inspect digger for loose, damaged or worn parts. Adjust and tighten loose parts. When needed replace parts with genuine manufacture's parts.

Repaint parts where paint is worn or scratched to prevent rust.

Replace all damaged or missing decals.

Store the digger on a level surface in a clean dry place. Inside storage will reduce maintenance and make for a longer life span.

PARTS BREAKDOWN



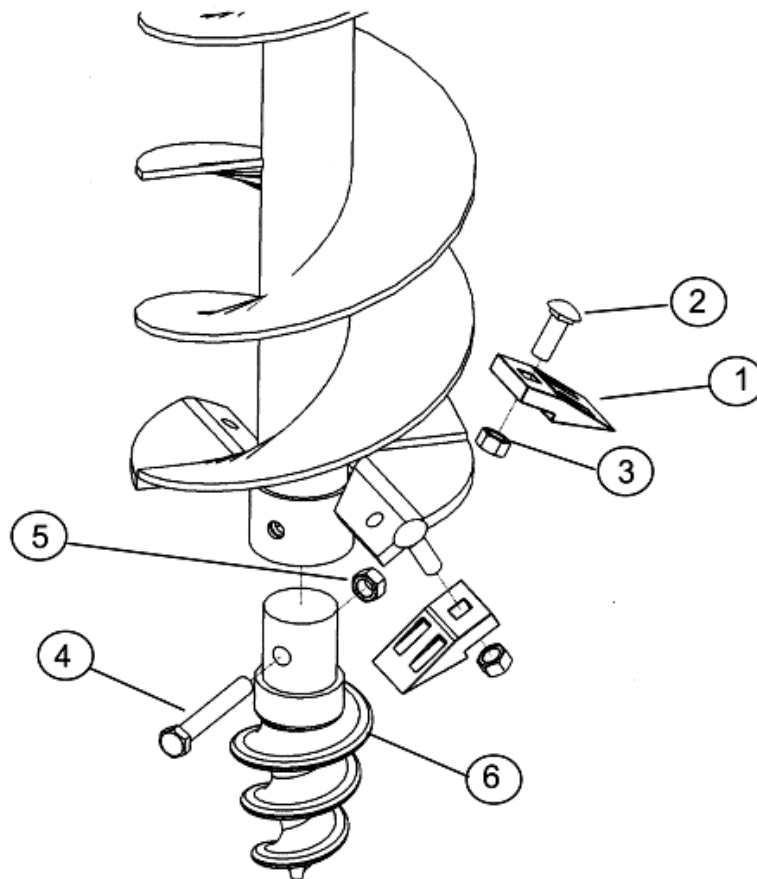
PARTS LIST

Ref. Réf.	English description	Description française	Qty. Qté.	Part # Pièce #
	Heavy Duty Post hole digger less auger		1	700886
1	Boom	Bras principal	1	108908
4	7/16" lynch pin	Goupille à anneau 7/16"	1	108909
5	"A" frame	Châssis en "A"	1	108910
6	"A" frame pin	Goupille du châssis en "A"	1	108911
7	7/8" pull pin with nut and lock washer	Goupille 7/8" avec écrou et rondelle de blocage	2	108912
8	Output shaft shield	Garde de l'arbre de sortie	1	108913
9	Input shaft shield	Garde de l'arbre d'entrée	1	108914
10	Gear box with shields	Boîte d'engrenage avec gardes	1	108915
11	Driveline with plastic shield	Arbre d'entraînement avec garde de plastique	1	108916
12	3/8" x 3" Grade 5 Hex Cap screw (SHEAR BOLT)	Boulon à tête hexagonale 3/8" x 3" Grade 5 (BOULON DE CISAILLEMENT)	1	O/L
13	3/8" Lockwasher	Rondelle de blocage 3/8"		O/L
14	3/8" NC Hex Nut	Écrous hex. 3/8" NC		O/L
15	1/2" x 3" Grade 5 Hex Cap screw	Boulon à tête hexagonale 1/2" x 3" Grade 5	2	O/L
16	1/2" Lockwasher	Rondelle de blocage 1/2"		O/L
17	1/2" NC Hex Nut	Écrous hex. 1/2" NC		O/L
18	6" Auger	Vis 6"		700904
19	9" Auger	Vis 9"		700905
23	Screw Point	Pointe de la vis		108917
24	1/4" x 3/8" Set screw	Vis à pression à 6 pans creux 1/4" x 3/8"		O/L

O/L = Obtain Locally

PARTS LIST CUTTING EDGES AND POINTS

Ref. Réf.	English description	Description française	Qty. Qté.	Part # Pièce #
1	Cutting edge for 6" auger	Racloir pour vis 6"	2	108918
1	Cutting edge for 9" auger	Racloir pour vis 9"	2	108919
2	Carriage bolt 1/2x1" UNC	Boulon de carrosserie 1/2x1" UNC	2	O/L
3	1/2 UNC nylon insert locknut	Écours de blocage à garniture de nylon 1/2" UNC	2	O/L
4	1/2" x 3-1/2" Grade 5 Hex Cap screw	Boulon à tête hexagonale 1/2" x 3-1/2" Grade 5	1	O/L
5	1/2 UNC nylon insert locknut	Écours de blocage à garniture de nylon 1/2" UNC	1	O/L
6	Screw Point	Pointe de la vis	1	108917



NOTE: It is important to replace the point and cutting edges when they show signs of excessive wear.

PARTS LIST DRIVELINE

Ref. Réf.	English description	Description française	Qty. Qté.	Part # Pièce #
1	Cross assembly	Croix assemble	2	108984
2	Yoke assembly (implement)	Fourche assemble (côté accessoire)	1	108985
3	Yoke assembly (tractor)	Fourche assemble (côté tracteur)	1	108986

TORQUE SPECIFICATION TABLE

GENERAL TORQUE SPECIFICATION TABLE USE THE FOLLOWING TORQUES WHEN SPECIAL TORQUES ARE NOT GIVEN

NOTE: These values apply to fasteners as received from supplier, dry or when lubricated with normal oil. They do not apply if special graphited or moly disulphide greases or other extreme pressure lubricants are used. This applies to both UNF and UNC threads.

* Thick nuts must be used with grade 8 bolts

SEE Grade No.		2				5				8 *			
BOLT HEAD IDENTIFICATION MARKS AS PER GRADE NOTE MANUFACTURING MARKS WILL VARY		TORQUE				TORQUE				TORQUE			
BOLT SIZE		FOOT POUNDS		NEWTON-METERS		FOOT POUNDS		NEWTON-METERS		FOOT POUNDS		NEWTON-METERS	
Inches	Millimetre	Min.	Max.	Min.	Max.	Min.	Max.	Min.	Max.	Min.	Max.	Min.	Max.
1/4"	6.35	5	6	6.8	8.13	9	11	12.2	14.9	12	15	16.3	30.3
5/16"	7.94	10	12	13.6	16.3	17	20.5	23.1	27.8	24	29	32.5	39.3
3/8"	9.53	20	23	27.1	31.2	35	42	47.5	57	45	54	61	73.2
7/16"	11.11	30	35	40.7	47.4	54	64	73.2	86.8	70	84	94.9	113.9
1/2"	12.7	45	52	61	70.5	80	96	108.5	130.2	110	132	149.2	179
9/16"	14.29	65	75	88.1	101.6	110	132	149.2	179	160	192	217	260.4
5/8"	15.88	95	105	128.7	142.3	150	180	203.4	244.1	220	264	298.3	358
3/4"	19.05	150	185	203.3	250.7	270	324	366.1	439.3	380	456	515.3	618.3
7/8"	22.23	160	200	216.8	271	400	480	542.4	650.9	600	720	813.6	976.3
1"	25.4	250	300	338.8	406.5	580	696	786.5	943.8	900	1080	1220.4	1464.5

METRIC BOLT TORQUE SPECIFICATIONS							
		COARSE THREAD			FINE THREAD		
Size Screw	Grade No.	Pitch (mm)	Foot Pounds	Newton-Meters	Pitch (mm)	Foot Pounds	Newton-Meters
M6	4T	1.00	3.6 - 5.8	4.9 - 7.9	-	-	-
	7T		5.8 - 9.4	7.9 - 12.7		-	-
	8T		7.2 - 10	9.8 - 13.6		-	-
M8	4T	1.25	7.2 - 14	9.8 - 19	1.00	12 - 17	16.3 - 23
	7T		17 - 22	23 - 29.8		19 - 27	25.7 - 36.6
	8T		20 - 26	27.1 - 35.2		22 - 31	29.8 - 42
M10	4T	1.50	20 - 25	27.1 - 33.9	1.25	20 - 29	27.1 - 39.3
	7T		34 - 40	46.1 - 54.2		35 - 47	47.4 - 63.7
	8T		38 - 46	51.5 - 62.3		40 - 52	54.2 - 70.5
M12	4T	1.75	28 - 34	37.9 - 46.1	1.25	31 - 41	42 - 55.6
	7T		51 - 59	69.1 - 79.9		56 - 68	75.9 - 92.1
	8T		57 - 66	77.2 - 89.4		62 - 75	84 - 101.6
M14	4T	2.00	49 - 56	66.4 - 75.9	1.50	52 - 64	70.5 - 86.7
	7T		81 - 93	109.8 - 126		90 - 106	122 - 143.6
	8T		96 - 109	130.1 - 147.7		107 - 124	145 - 168
M16	4T	2.00	67 - 77	90.8 - 104.3	1.50	69 - 83	93.5 - 112.5
	7T		116 - 130	157.2 - 176.2		120 - 138	162.6 - 187
	8T		129 - 145	174.8 - 196.5		140 - 158	189.7 - 214.1
M18	4T	2.00	88 - 100	119.2 - 136	1.50	100 - 117	136 - 158.5
	7T		150 - 168	203.3 - 227.6		177 - 199	239.8 - 269.6
	8T		175 - 194	237.1 - 262.9		202 - 231	273.7 - 313
M20	4T	2.50	108 - 130	146.3 - 176.2	1.50	132 - 150	178.9 - 203.3
	7T		186 - 205	252 - 277.8		206 - 242	279.1 - 327.9
	8T		213 - 249	288.6 - 337.4		246 - 289	333.3 - 391.6



Mahindra

IMPLEMENTS

www.mahindrausa.com

IMPRIMÉ AU CANADA
PRINTED IN CANADA