



OWNER'S MANUAL
Model Number

700339-6 Subframe
700329-5 / -6 Drive Mechanism



BERCO
Subframe & Drive Mechanism
for
JOHN DEERE 115, 125, 135, 145, 155C, 190C
JOHN DEERE L110, L111, L118, L120, L130, LA & D series

* ASSEMBLY
* OPERATION

* REPAIR PARTS
* MAINTENANCE

CAUTION:
READ & FOLLOW ALL SAFETY RULES & INSTRUCTIONS BEFORE
OPERATING YOUR EQUIPMENT

LIMITED WARRANTY

Conditions and Products Covered:

BERCOMAC guarantees any part of the product or accessory manufactured by BERCOMAC and found in the reasonable judgment of BERCOMAC to be defective in material and or workmanship will be repaired or replaced by an authorized dealer without charge up to our maximum labor rates and pre-established times. For replacement parts only standard ground freight services are covered. This warranty extends to the original retail purchaser only and is not transferable to any subsequent purchasers. This warranty applies to the products bought and used in North America.

Warranty Period

(from date of the original retail purchase)

- Residential use: 1 year
- Semi-commercial, professional or rental use: 90 days

Exceptions Noted Below; the following items are guaranteed by the original manufacturer and have their own warranty, conditions and limited time:

- Tire Chains: 90 days
- Engines: Will vary as per the manufacturer
Please refer to the engine manufacturer's warranty statement included with the unit. BERCOMAC is not authorized to handle warranty adjustments on engines.

Items and Conditions NOT Covered:

This warranty does not cover the following:

- Pick-up or delivery charges or in-home services fees.
- Any damage or deterioration of the unit, parts and or finish of these due to normal use, wear and tear, or exposure.
- Cost of regular use or maintenance service or parts, such as gas, oil, lubricants, tune-up parts, and adjustments.
- Any part or accessory which has been altered, modified, misused, neglected, accidentally damaged or not properly installed, maintained, stored or repaired not in accordance with the instructions in the owner's manual.
- Repair due to normal wear and or any wear items such as shear pins, bolts, belts, etc.
- Expedited freight fee services for replacement parts.
- Shear bolts and shear pins are to be considered as a preventive measure not as an assured protection, any damages resulting from the lack of shear bolts breakage are not covered.
- Damages due to product being installed on a vehicle other than stipulated in owner's manual.

NOTE: All warranty work must be performed by an authorized dealer using original (manufacturer) replacement parts.

NOTE: Bercomac reserves the right to change or improve the design of any part or accessory without assuming any obligation to modify any product previously manufactured.

Instructions for Obtaining Warranty Services:

Contact dealer where equipment was purchased or any other BERCO service dealer to arrange service at their dealership. Requests for warranty claims must be carried out through the same distribution network used to purchase the product.. Don't forget to bring your proof of purchase (sales receipt) to the BERCOMAC dealer.

Owner's Responsibilities:

BERCOMAC's defective equipment or part must be returned to an authorized dealer within the warranty period for repairs. In the event that defective merchandise must be returned to manufacturer for repairs, freight fees are prepaid and a written authorization from BERCOMAC must be obtained by dealer prior to the shipment. This warranty extends only to equipment operated under normal conditions. To validate a warranty claim, it is the user's responsibility to maintain and service the unit as specified in the owner's manual or to have the unit serviced at their dealer at their expense.

General Conditions:

The sole liability of BERCOMAC with respect to this warranty shall be strictly and exclusively repair and replacement as mentioned herein. BERCOMAC shall not have any liability for any other costs, loss or damage, including but not limited to, any incidental or consequential loss or damage. Taking advantage of the warranty does not in any way extend the length or renewal of the warranty.

In particular, without being limited to, BERCOMAC shall have no liability or responsibility for:

- Travel time, overtime, after hours time or other extraordinary repair charges or relating to repairs and or replacements outside of normal business hours.
- Rental of like or similar replacement equipment during the period of any, repair or replacement work.
- Any communicating or travel charges.
- Loss or damage to person or property other than that covered by the terms of this warranty.
- Any claims for lost revenue, lost profit or any similar costs as a result of damage or repair.
- Attorney's fees.

BERCOMAC's responsibility in respect to claims is limited to making the required repairs or replacement without charge up to our maximum labor rates and pre-established times and no claim of breach of warranty shall be cause for cancellation or rescission of the contract of sale of any product or accessory. In no event recovery of any kind be greater than the amount of the purchase price of the product sold.

This warranty gives you specific legal rights. You may also have other rights, which vary from state to state.

TABLE OF CONTENTS

| | PAGE |
|--|------|
| INTRODUCTION | 2 |
| SAFETY PRECAUTIONS | 3 |
| ASSEMBLY | |
| Step 1: Subframe Installation | 5 |
| Step 2: Drive Mechanism Installation | 8 |
| MAINTENANCE & DISMOUNTING | |
| Maintenance | 10 |
| Drive Mechanism Dismounting | 10 |
| Belt Replacement | 10 |
| End of Season Storage | 10 |
| TORQUE SPECIFICATION TABLE | 11 |
| PARTS BREAKDOWN AND LISTS | |
| Subframe | 12 |
| Drive Mechanism | 14 |
| ATTACHMENTS | 18 |

INTRODUCTION

TO THE PURCHASER

This new accessory was carefully designed to give years of dependable service. This manual has been provided to assist in the safe operation and servicing of your attachment.

NOTE: All photographs and illustrations in the manual may not necessarily depict the actual models or attachment, but are intended for reference only and are based on the latest product information available at the time of publication.

Familiarize yourself fully with the safety recommendations and operating procedures before putting the machine to use. Carefully read, understand and follow these recommendations and insist that they be followed by those who will use this attachment.



THIS SAFETY ALERT SYMBOL IDENTIFIES AN IMPORTANT SAFETY MESSAGE IN THIS MANUAL THAT HELPS YOU AND OTHERS AVOID PERSONAL INJURY OR EVEN DEATH. DANGER, WARNING, AND CAUTION ARE SIGNAL WORDS USED TO IDENTIFY THE LEVEL OF HAZARD. HOWEVER, REGARDLESS OF THE HAZARD, BE EXTREMELY CAREFUL.

DANGER: Signals an extreme hazard that will cause serious injury or death if recommended precautions are not followed.

WARNING: Signals a hazard that may cause serious injury or death if the recommended precautions are not followed.

CAUTION: Signals a hazard that may cause minor or moderate injury if the recommended precautions are not followed.

Record your attachment serial number and purchase date in the section reserved below (there is no serial number on the subframe). Your dealer requires this information to give you prompt, efficient service when ordering replacement parts. Use only genuine parts when replacements are required.

If warranty repairs are required please present this registration booklet and original sales invoice to your selling dealer for warranty service.

This manual should be kept for future reference.

Please check if you have received all the parts for your kit with the list of the bag and the list of the box.

SERIAL NUMBER : _____
(IF APPLICABLE)

MODEL NUMBER: _____

PURCHASE DATE : _____



SAFETY PRECAUTIONS



Careful operation is your best insurance against an accident. Read this section carefully before operating the vehicle and accessory. This accessory is capable of amputating hands and feet and throwing objects. Failure to observe the following safety instructions could result in serious injury. All operators, no matter how experienced they may be, should read this and other manuals related to the vehicle and accessory before operating. It is the owner's legal obligation to instruct all operators in safe operation of the accessory.

GLOSSARY:

In this manual, right and left sides are determined by sitting on the seat of the vehicle facing forward.

In this manual, "accessories" means attachments (snowblower, rotary broom, blade etc.) that you install on the vehicle (lawn tractors, A.T.V. s etc).

TRAINING:



This symbol, "Safety Alert Symbol", is used throughout this manual and on the accessory's safety labels to warn of the possibility of serious injury. Please take special care in reading and understanding the safety precautions before operating the vehicle and accessory.

1. Read this owner's manual carefully. Be thoroughly familiar with the controls and proper use of the vehicle and accessory. Know how to stop the unit and disengage the controls quickly.
2. Never allow children to operate the vehicle nor the accessory. Never allow adults to operate the vehicle nor the accessory without proper instructions.
3. No one should operate the vehicle nor the accessory while intoxicated or while taking medication that impairs the senses or reactions.
4. Keep the area of operation clear of all people, particularly small children and pets.
5. Never start or operate the accessories except from the operator's station on the power unit except if this is impossible.

PREPARATION:

1. Thoroughly inspect the area where the accessory is to be used and remove door mats, all foreign objects and the like.
2. For motorized accessories, disengage all clutches and shift into neutral before starting engine.
3. Do not operate the accessory without wearing adequate winter outer garments. Avoid loose fitting clothing that can get caught in moving parts. Wear footwear that will improve footing on slippery surfaces.

4. Handle fuel with care, it is highly flammable.
 - a) Use approved fuel container.
 - b) Never add fuel to a running engine or hot engine.
 - c) Fill fuel tank outdoors with extreme care. Never fill fuel tank indoors.
 - d) Never fill containers inside a vehicle, or on a truck or a trailer bed with a plastic liner. Always place containers on the ground, away from your vehicle, before filling.
 - e) When practical, remove gas-powered equipment from the truck or trailer and refuel it on the ground. If this is not possible, then refuel such equipment on a trailer with a portable container, rather than from a gasoline dispenser nozzle.
 - f) Keep the nozzle in contact with the rim of the fuel tank or container opening at all times, until refueling is complete. Do not use a nozzle lock-open device.
 - g) Replace fuel cap securely and wipe up spilled fuel.
 - h) If fuel is spilled on clothing, change clothing immediately.
5. Never attempt to make any adjustments while the engine (motor) is running (except when specifically recommended by manufacturer).
6. Let the vehicle and accessory adjust to outdoor temperatures before using.
7. Never use an accessory without proper guards, plates, or other safety protective devices in place
8. Always make sure to wear the appropriate safety equipment required (glasses, muffs, mask...) for each type of product. See operation section.
9. Always make sure of having safe traction on the vehicle by using the recommended accessories (chains, A.T.V. tracks, counterweights...). See operation section.
10. Always make sure all components are correctly installed. (driveline securely attached and locked at both ends, belts properly installed...)
11. If applicable, always handle the winch cable with thick leather gloves.
12. **Never modify the accessory or any part without the written consent from the manufacturer.**



SAFETY PRECAUTIONS



OPERATION:

1. Do not put hands or feet near, under or inside rotating parts.
2. Exercise extreme caution when operating on or crossing gravel drives, walks or roads. Stay alert for hidden hazards or traffic. Do not carry passengers.
3. After striking a foreign object, stop the engine (motor), disconnect the wire from the spark plug(s) and keep wire away to prevent accidental starting. Thoroughly inspect the accessory for any damage and repair damage before restarting and using the accessory.
4. If the unit should start to vibrate abnormally, stop the engine (motor) and check immediately for the cause. Vibration is generally a warning of trouble.
5. Take all possible precautions when leaving the vehicle unattended. Disengage the power take-off, lower the attachment, place the transmission into neutral, set the parking brake, stop the engine and remove the ignition key.
6. Do not run the engine indoors, except when starting the engine and for transporting in or out of the building. Do not operate or let motor run in a storage area without ventilation because gas contains carbon monoxide which is odorless, colorless and can cause death.
7. Never use the accessories across the face of slopes, go from top to bottom. Exercise extreme caution when using equipment on slopes. Do not attempt to clear a steep slope.
8. Never tolerate bystanders in the working zone. Never use an accessory in the direction of bystanders, it might throw gravel or debris that can hurt people or damage property.
9. Never operate the accessory at high transport speeds on slippery surfaces. Use care when backing up.
10. Do not carry passengers.
11. Disengage power to the accessory when it is transported or not in use.
12. Never operate the accessory without good visibility or light.
13. Keep the accessory away from heat sources or flames.
14. If applicable, never handle the winch cable or hook while in tension.

MAINTENANCE AND STORAGE

1. When cleaning, repairing or inspecting the vehicle and accessory: stop the engine, set brake, remove ignition key, and wait that all moving parts have stopped. For gasoline engine, disconnect wire from the spark plug(s) and keep wire away to prevent accidental starting.
2. Check all the bolts and components at frequent intervals to make sure that they are properly tightened.
3. Never store a motorized accessory with fuel in the fuel tank inside a building where ignition sources are present such as hot water and space heaters, clothes dryers, and the like. Allow the engine to cool before storing in any enclosure.
4. Always refer to the owner's manual when you store the accessory and vehicle for a prolonged or an unspecified length of time.
5. Maintain or replace safety and instruction labels, as necessary.
6. For winter accessories, (if applicable), let the engine run for a few minutes after clearing snow in order to prevent the rotary parts from freezing.
7. Inspect the vehicle's and accessory's air filter (if applicable) every day. Clean it or replace it as necessary. Change the oil more often when working in dusty conditions. See the vehicle's and accessory's owner's manual.

TRANSPORT

1. Review Transport Safety instructions in vehicle manual before moving.
2. Check with local authorities regarding transport on public roads. Obey all applicable laws and regulations.
3. Make sure all lights and reflectors that are required by the local highway and transport authorities (example : SMV (Slow Moving Vehicle)) are in place, are clean, and can be seen clearly by all overtaking and oncoming traffic.
4. Never have the equipment in operation during transport.
5. Always travel at a safe speed.

ASSEMBLY

STEP 1

SUBFRAME INSTALLATION:

IMPORTANT: TORQUE ALL BOLTS ACCORDING TO TORQUE SPECIFICATION TABLE (SEE TABLE OF CONTENTS) WHEN STATED: TIGHTEN FIRMLY. REFER TO PARTS BREAKDOWN SECTION FOR THEIR IDENTIFICATION.

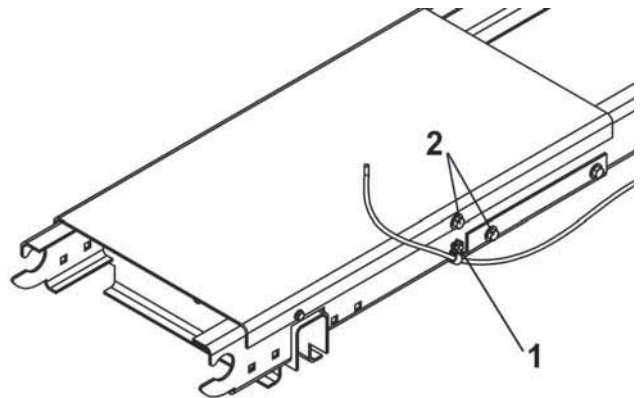
INSTALLING THE REFLECTORS

IMPORTANT: When operating the tractor with the front mounted attachment, install the two red-colored adhesive reflectors on the rear vertical surface of the tractor's fender.

NOTE: You may install the subframe with or without the mower deck. However, you must remove the mower deck if you install the drive mechanism.

If your tractor is equipped with a manual clutch, unscrew the bolt (item 1) on the left hand side that holds the clutch cable to the frame.

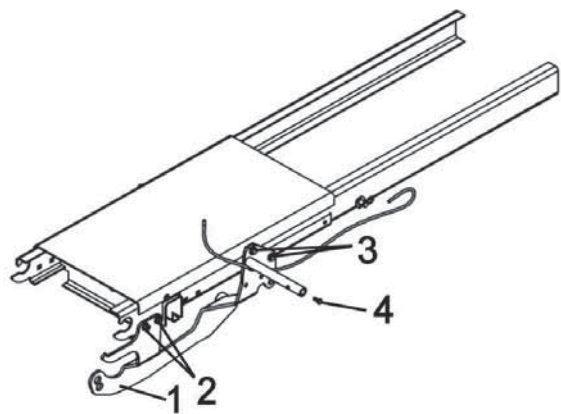
Unscrew the two bolts (item 2) on the left hand side in order to install the left support.



Unscrew the nuts and bolts

Install the left support (item 1) to the tractor frame with two 3/8 x 1" carriage bolts (item 2) at the front (heads on the inside) and two flange nuts. Do not tighten now.

Secure the rear part of the support with the original tractor bolts (item 3) and secure the cable with a M6 x 16 mm bolt (item 4). Do not tighten now.



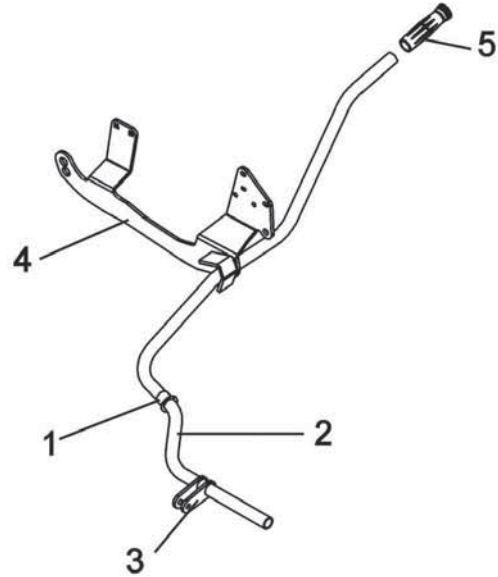
Install the left support

ASSEMBLY

Slide the nylon bushing (item 1) the flange first, down the lift arm (item 2) to the fork (item 3).

Slide the right support (item 4) down the lift arm and to the nylon bushing.

Install the handgrip (item 5) on the lift arm.



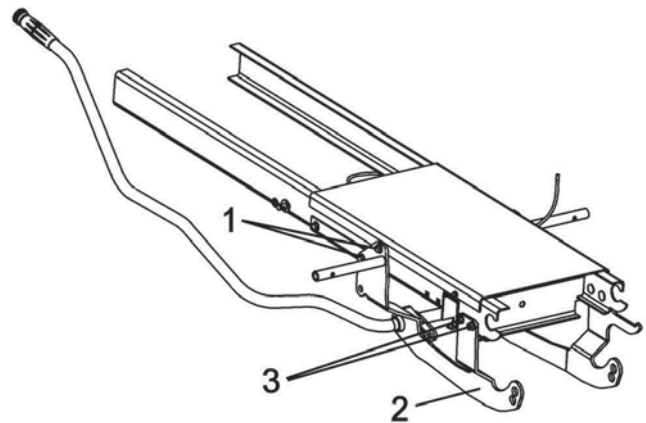
Install the bushing and the lift arm

Unscrew the two bolts (item 1) from the right hand side of the tractor frame.

Install the assembled support (item 2) to the front of the tractor frame by making sure to insert the end of the lift arm into the sleeve on the left support and secure with two carriage bolts (item 3) (the heads inside) and two flange nuts on the outside.

Secure the rear with the original bolts (item 1).

Do not tighten the bolts now.



Install the right assembled support

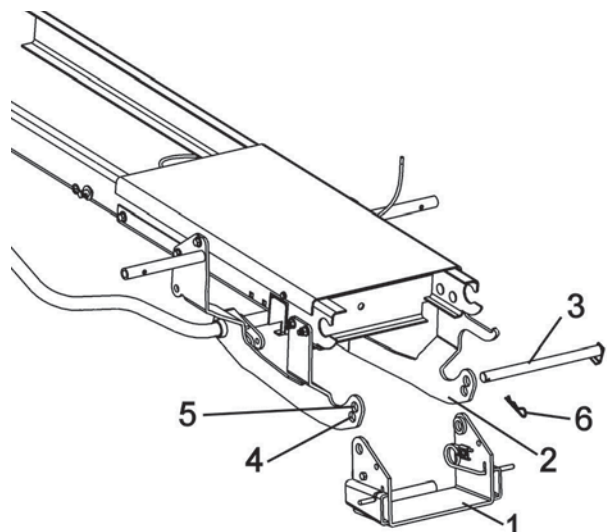
Install the pivot support (item 1) inside the front supports (item 2). Insert the pin (item 3) into the appropriate holes (items 4 or 5) of the front supports according to the chart below.

| Front Tire (size) | Holes in front supports |
|-------------------|-------------------------|
| 15 x 6-6 | Top holes (item 5) |
| 16 x 6.5-8 | Bottom holes (item 4) |

Lock into place by placing the bended part of the pin in the hole that is free.

Secure in place with one 3 mm hair pin (item 6).

Tighten all the bolts firmly.

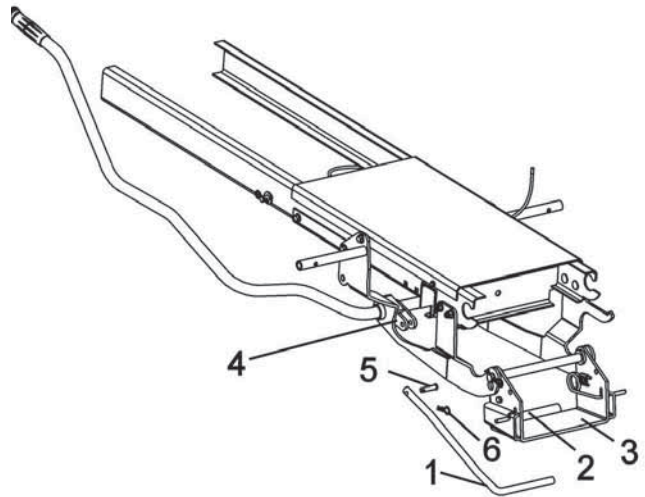


Install the pivot support

ASSEMBLY

Install the push bar (item 1) by inserting it into the sleeve (item 2) welded on the pivot support (item 3).

Install the other end in the fork (item 4) of the lift arm with a pin (item 5), the head on the inside and secure with a 2.5 mm hair pin (item 6).



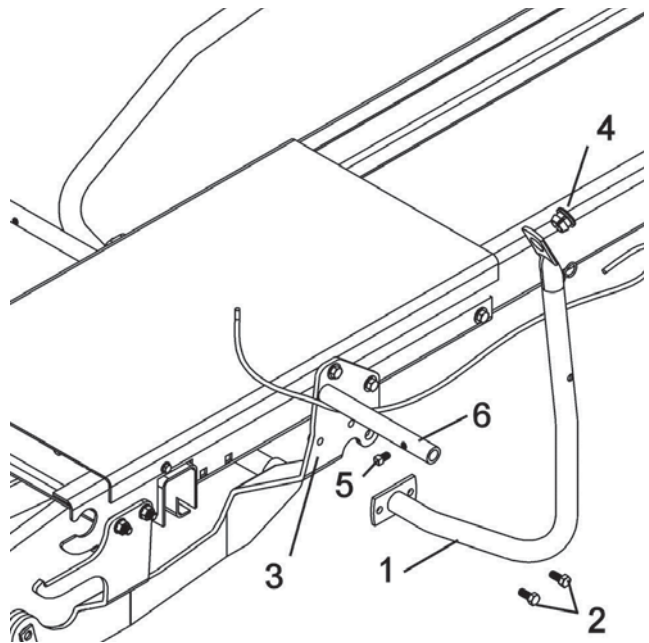
Install the push bar

Install the handle support (item 1) on the left support (item 3) with two 5/16 x 3/4" hex. bolts (item 2) and flange nuts.

Install the plastic grommet (item 4) on the handle support (item 1).

This subframe includes the front supports in order to install the Berco cab.

Install the 5/16" x 1/2" square head socket set screws (item 5) in the tubes (item 6) welded on each support.



Install the handle support

ASSEMBLY

STEP 2 DRIVE MECHANISM INSTALLATION:

NOTE: For 700329-6, follow preparation instructions provided with the drive mechanism kit.

NOTE: Remove the mower deck in order to install the drive mechanism.

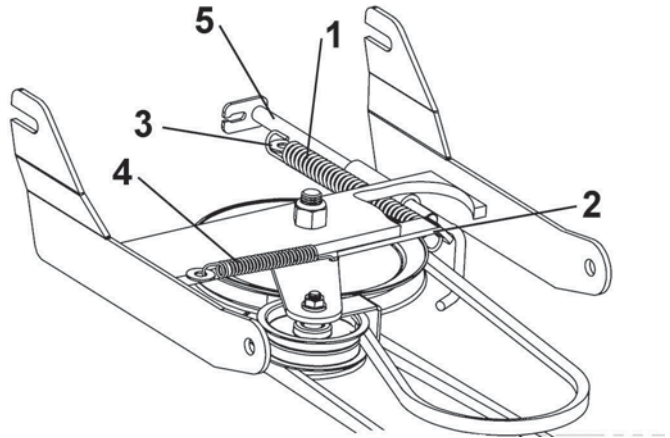
If your tractor is equipped with a manual clutch, remember where the clutch cable was installed because you must reinstall it in the same place when the mower deck is reinstalled.

Tractors equipped with an electric clutch:

Remove the spring (item 4), it is not required.

Install the spring (item 1), hook the smallest hook to the idler arm (item 2), so that the opening is towards the bottom. Hook the other end to the welded washer (item 3).

Adjust the tension arm (item 5) if necessary.



Install the spring

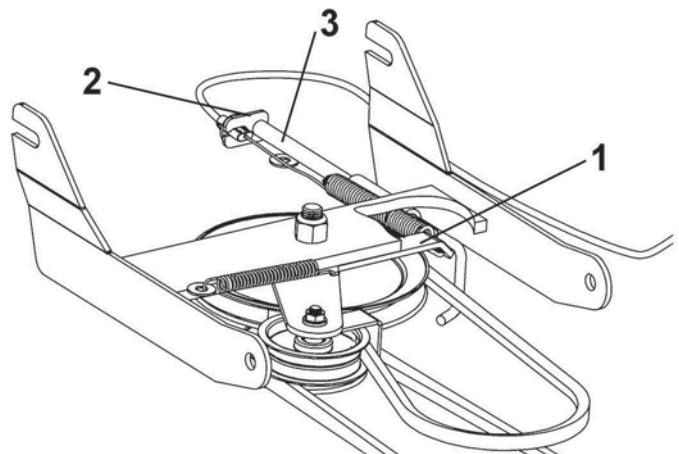
Tractors equipped with a manual clutch:

Hook the clutch cable spring to the tension arm (item 1) so that the opening on the hook is towards the top after installation.

Attach the cable to the cable holder (item 2) and secure in place with the original hair pin.

Adjust the tension arm (item 3) if necessary.

NOTE: After preparing the subframe, remove the tractor's belt guide situated close to the motor pulley in order to install or to remove the mower or the drive mechanism belt.



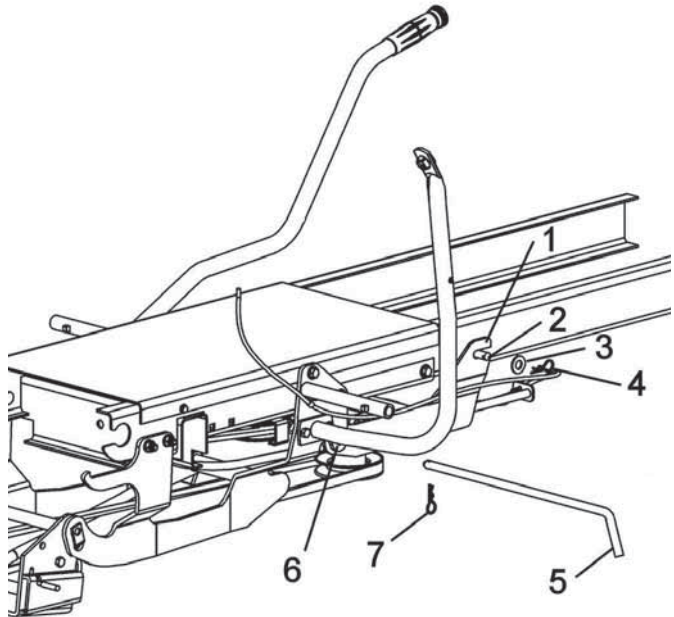
Install the cable

ASSEMBLY

Install the drive mechanism under the tractor by hooking the back part (item 1) on the tractor pins (item 2). (Remove the flat washers (item 3) and the hair pins (item 4) to facilitate installation).

Secure the front part of the drive mechanism by inserting the pin (item 5) from the left hand side, in the holes (item 6) of the supports and secure with a 2.5 mm hair pin (item 7).

Secure the rear part of the drive mechanism by installing the original flat washer (item 3) and hair pin (item 4) on the tractor pins (one on each side of tractor).



Install the drive mechanism



In order to facilitate belt installation, remove belt from the large pulley, insert it around the motor pulley, and then on the large pulley.

NOTE: Make sure the clutch mechanism works well.

MANUAL CLUTCH:

Make sure when you disengage the clutch, that the snowblower or the broom stops turning immediately.

Make sure the belt does not touch in any way the belt guides when the clutch is engaged. **(DO THIS VERIFICATION WHEN THE MOTOR IS TURNED OFF.)**

| | | |
|---|----------------|---|
|  | WARNING |  |
| <p>TO PREVENT INJURIES: It is the person who installs the drive mechanism responsibility to make sure that when the clutch is disengaged that all moving parts stop.</p> | | |
| <p>For more information, do not hesitate to contact the technical support.</p> | | |

MAINTENANCE & DISMOUNTING

MAINTENANCE

- a) Check mounting bolts at frequent intervals for proper tightness to be sure equipment is in safe working condition.
- b) Apply oil at all pivot points.

DRIVE MECHANISM DISMOUNTING

SEE ATTACHMENT OWNER'S MANUAL (SNOWBLOWER, BROOM AND BLADE) FOR DISMOUNTING INSTRUCTIONS.

- a) Dismount the attachment.
- b) Remove the rear counterweight when you remove the front attachment.
- c) Tractor with manual clutch:
Remove the tractor belt guide and disconnect the P.T.O.. clutch cable.
- c) Dismount the drive mechanism by removing the front pin. Carefully lower to the ground. Remove the belt from engine pulley.
- d) You may leave the subframe on tractor all year long or remove it if preferred.
- e) Reinstall mower if needed.

VERIFY TIRE PRESSURE:

VERIFY TIRE PRESSURE:

Tire pressure must be even on both sides of tractor according to the vehicle's owner's manual.

BELT REPLACEMENT

Belt for the accessories:

SEE ATTACHMENT OWNER'S MANUAL (SNOWBLOWER AND BROOM) FOR REPLACING INSTRUCTIONS.

Drive Mechanism Belt:

Before proceeding with this step, notice carefully how the belt guide is installed to avoid damage to the belt. When re-installing, remove the bolt which retains the tension pulley and the belt guide. Replace the belt and re-install the tension pulley and belt guide. Before tightening make sure the belt guide does not touch the belt at any time. Re-install the drive mechanism.

END OF SEASON STORAGE

- a) Clean and paint all parts from which paint has worn.
- b) Apply oil at all pivot points.
- c) Inspect and replace all defective parts before using again.

TORQUE SPECIFICATION TABLE

GENERAL TORQUE SPECIFICATION TABLE USE THE FOLLOWING TORQUES WHEN SPECIAL TORQUES ARE NOT GIVEN

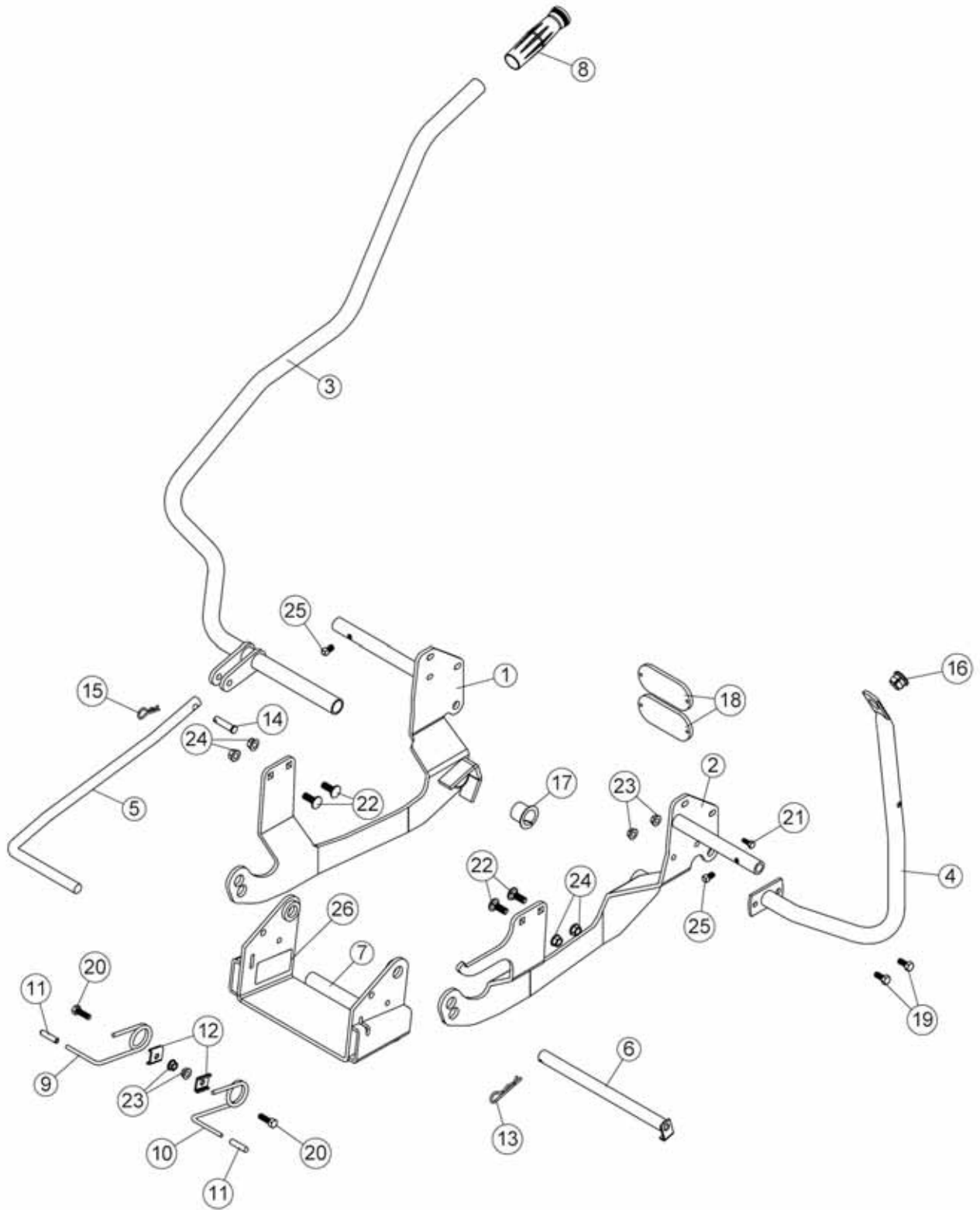
NOTE: These values apply to fasteners as received from supplier, dry or when lubricated with normal oil. They do not apply if special graphited or moly disulphide greases or other extreme pressure lubricants are used. This applies to both UNF and UNC threads.

* Thick nuts must be used with grade 8 bolts

| SEE Grade No. | | 2 | | | | 5 | | | | 8 * | | | |
|--|------------|-------------|------|----------------|-------|-------------|------|----------------|-------|-------------|------|----------------|--------|
| BOLT HEAD IDENTIFICATION MARKS AS PER GRADE NOTE MANUFACTURING MARKS WILL VARY | | TORQUE | | | | TORQUE | | | | TORQUE | | | |
| BOLT SIZE | | FOOT POUNDS | | NEW TON-METERS | | FOOT POUNDS | | NEW TON-METERS | | FOOT POUNDS | | NEW TON-METERS | |
| Inches | Millimetre | Min. | Max. | Min. | Max. | Min. | Max. | Min. | Max. | Min. | Max. | Min. | Max. |
| 1/4" | 6.35 | 5 | 6 | 6.8 | 8.13 | 9 | 11 | 12.2 | 14.9 | 12 | 15 | 16.3 | 30.3 |
| 5/16" | 7.94 | 10 | 12 | 13.6 | 16.3 | 17 | 20.5 | 23.1 | 27.8 | 24 | 29 | 32.5 | 39.3 |
| 3/8" | 9.53 | 20 | 23 | 27.1 | 31.2 | 35 | 42 | 47.5 | 57 | 45 | 54 | 61 | 73.2 |
| 7/16" | 11.11 | 30 | 35 | 40.7 | 47.4 | 54 | 64 | 73.2 | 86.8 | 70 | 84 | 94.9 | 113.9 |
| 1/2" | 12.7 | 45 | 52 | 61 | 70.5 | 80 | 96 | 108.5 | 130.2 | 110 | 132 | 149.2 | 179 |
| 9/16" | 14.29 | 65 | 75 | 88.1 | 101.6 | 110 | 132 | 149.2 | 179 | 160 | 192 | 217 | 260.4 |
| 5/8" | 15.88 | 95 | 105 | 128.7 | 142.3 | 150 | 180 | 203.4 | 244.1 | 220 | 264 | 298.3 | 358 |
| 3/4" | 19.05 | 150 | 185 | 203.3 | 250.7 | 270 | 324 | 366.1 | 439.3 | 380 | 456 | 515.3 | 618.3 |
| 7/8" | 22.23 | 160 | 200 | 216.8 | 271 | 400 | 480 | 542.4 | 650.9 | 600 | 720 | 813.6 | 976.3 |
| 1" | 25.4 | 250 | 300 | 338.8 | 406.5 | 580 | 696 | 786.5 | 943.8 | 900 | 1080 | 1220.4 | 1464.5 |

| METRIC BOLT TORQUE SPECIFICATIONS | | | | | | | |
|-----------------------------------|-----------|---------------|-------------|---------------|-------------|-------------|---------------|
| | | COARSE THREAD | | | FINE THREAD | | |
| Size Screw | Grade No. | Pitch (mm) | Foot Pounds | Newton-Meters | Pitch (mm) | Foot Pounds | Newton-Meters |
| M6 | 4T | 1.00 | 3.6 - 5.8 | 4.9 - 7.9 | - | - | - |
| | 7T | | 5.8 - 9.4 | 7.9 - 12.7 | | - | - |
| | 8T | | 7.2 - 10 | 9.8 - 13.6 | | - | - |
| M8 | 4T | 1.25 | 7.2 - 14 | 9.8 - 19 | 1.00 | 12 - 17 | 16.3 - 23 |
| | 7T | | 17 - 22 | 23 - 29.8 | | 19 - 27 | 25.7 - 36.6 |
| | 8T | | 20 - 26 | 27.1 - 35.2 | | 22 - 31 | 29.8 - 42 |
| M10 | 4T | 1.50 | 20 - 25 | 27.1 - 33.9 | 1.25 | 20 - 29 | 27.1 - 39.3 |
| | 7T | | 34 - 40 | 46.1 - 54.2 | | 35 - 47 | 47.4 - 63.7 |
| | 8T | | 38 - 46 | 51.5 - 62.3 | | 40 - 52 | 54.2 - 70.5 |
| M12 | 4T | 1.75 | 28 - 34 | 37.9 - 46.1 | 1.25 | 31 - 41 | 42 - 55.6 |
| | 7T | | 51 - 59 | 69.1 - 79.9 | | 56 - 68 | 75.9 - 92.1 |
| | 8T | | 57 - 66 | 77.2 - 89.4 | | 62 - 75 | 84 - 101.6 |
| M14 | 4T | 2.00 | 49 - 56 | 66.4 - 75.9 | 1.50 | 52 - 64 | 70.5 - 86.7 |
| | 7T | | 81 - 93 | 109.8 - 126 | | 90 - 106 | 122 - 143.6 |
| | 8T | | 96 - 109 | 130.1 - 147.7 | | 107 - 124 | 145 - 168 |
| M16 | 4T | 2.00 | 67 - 77 | 90.8 - 104.3 | 1.50 | 69 - 83 | 93.5 - 112.5 |
| | 7T | | 116 - 130 | 157.2 - 176.2 | | 120 - 138 | 162.6 - 187 |
| | 8T | | 129 - 145 | 174.8 - 196.5 | | 140 - 158 | 189.7 - 214.1 |
| M18 | 4T | 2.00 | 88 - 100 | 119.2 - 136 | 1.50 | 100 - 117 | 136 - 158.5 |
| | 7T | | 150 - 168 | 203.3 - 227.6 | | 177 - 199 | 239.8 - 269.6 |
| | 8T | | 175 - 194 | 237.1 - 262.9 | | 202 - 231 | 273.7 - 313 |
| M20 | 4T | 2.50 | 108 - 130 | 146.3 - 176.2 | 1.50 | 132 - 150 | 178.9 - 203.3 |
| | 7T | | 186 - 205 | 252 - 277.8 | | 206 - 242 | 279.1 - 327.9 |
| | 8T | | 213 - 249 | 288.6 - 337.4 | | 246 - 289 | 333.3 - 391.6 |

PARTS BREAKDOWN SUBFRAME 700339-6

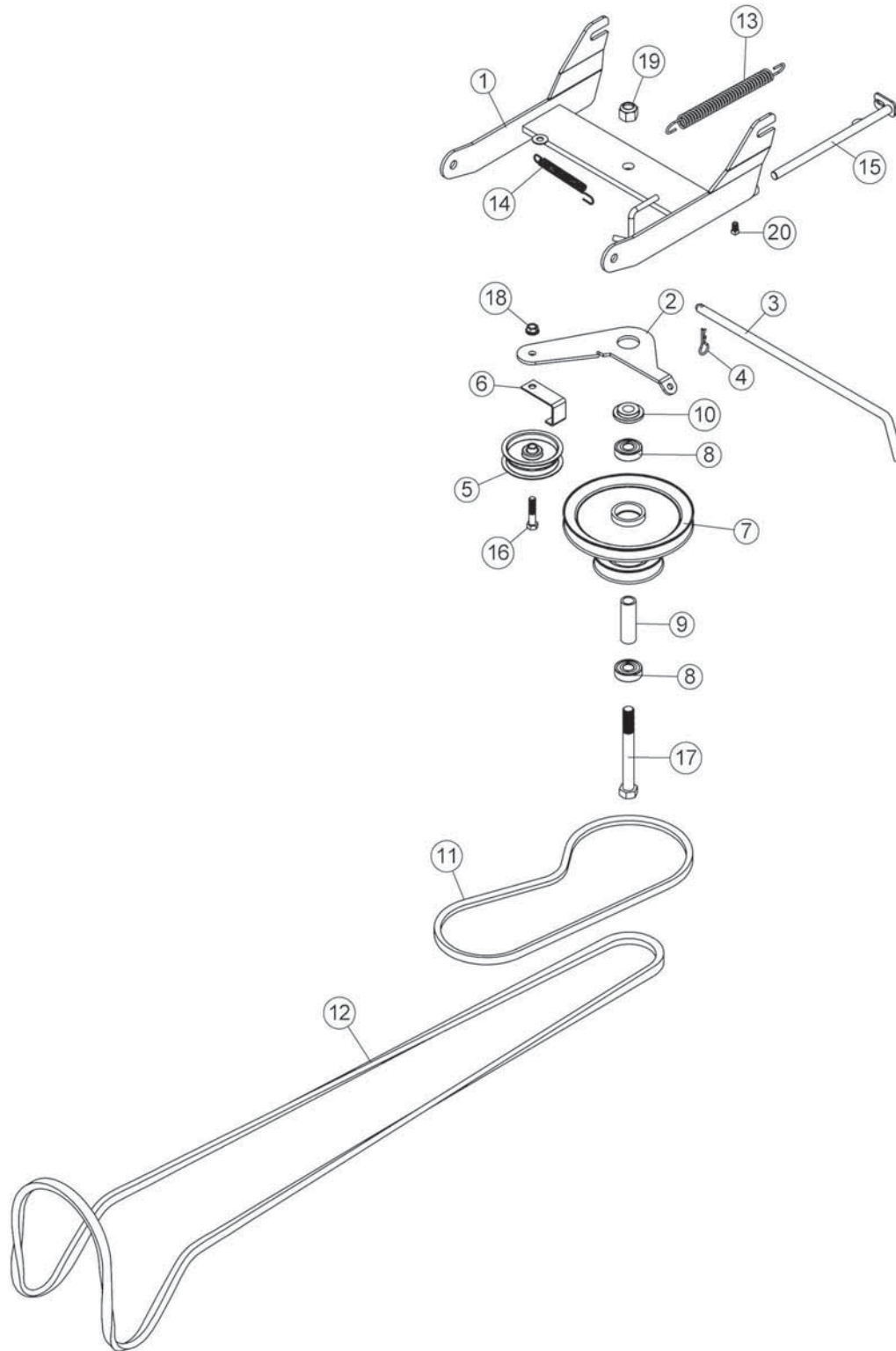


PARTS LIST

| Ref. Réf. | English description | Description française | Qty. Qté. | Part # Pièce # |
|--------------|---|--|--------------|-------------------|
| 1 | Right support | Support droit | 1 | 104498 |
| 2 | Left support | Support gauche | 1 | 104499 |
| 3 | Lift arm | Bras de relevage | 1 | 103654 |
| 4 | Handle support | Support de manivelle | 1 | 104493 |
| 5 | Push bar | Barre de poussée | 1 | 104494 |
| 6 | Pin | Goupille | 1 | 103651 |
| 7 | Pivot support | Support de pivot | 1 | 102981 |
| 8 | Handgrip | Poignée de plastique | 1 | 102025 |
| 9 | Right spring lock | Ressort de barrure droit | 1 | 102209 |
| 10 | Left spring lock | Ressort de barrure gauche | 1 | 102208 |
| 11 | Handgrip | Poignée | 2 | 102248 |
| 12 | Spring bracket | Fixation du ressort | 2 | 102210 |
| 13 | Hair pin 3mm | Goupille à ressort 3mm | 1 | 102617 |
| 14 | Pin | Goupille | 1 | 102772 |
| 15 | Hair pin 2.5mm | Goupille à ressort 2.5mm | 1 | 102013 |
| 16 | Plastic grommet | Oeillet de plastique | 1 | 102063 |
| 17 | Nylon bushing | Coussinet en nylon | 1 | 103087 |
| 18 | Reflector (Pack of 2) | Réflecteur (Ensemble de 2) | 1 | 106108 |
| 19 | Hex. bolt 5/16" n.c. x 3/4" | Boulon hex. 5/16" n.c. x 3/4" | 2 | O/L |
| 20 | Hex. bolt 5/16" n.c. x 1" | Boulon hex. 5/16" n.c. x 1" | 2 | O/L |
| 21 | Hex. bolt M6 x 1.00 x 16 | Boulon hex. M6 x 1.00 x 16 | 1 | O/L |
| 22 | Carriage bolt 3/8" n.c. x 1" | Boulon à carrosserie 3/8" n.c. x 1" | 4 | O/L |
| 23 | Flange nut 5/16" n.c. | Écrou à bride 5/16" n.c. | 4 | O/L |
| 24 | Flange nut 3/8" n.c. | Écrou à bride 3/8" n.c. | 4 | O/L |
| 25 | Square head set screw 5/16" n.c. x 1/2" | Vis à pression à tête carrée 5/16" n.c. x 1/2" | 2 | O/L |
| 26 | Model number | Numéro de modèle | 1 | REF |

O/L = Obtain locally

PARTS BREAKDOWN DRIVE MECHANISM 700329-5

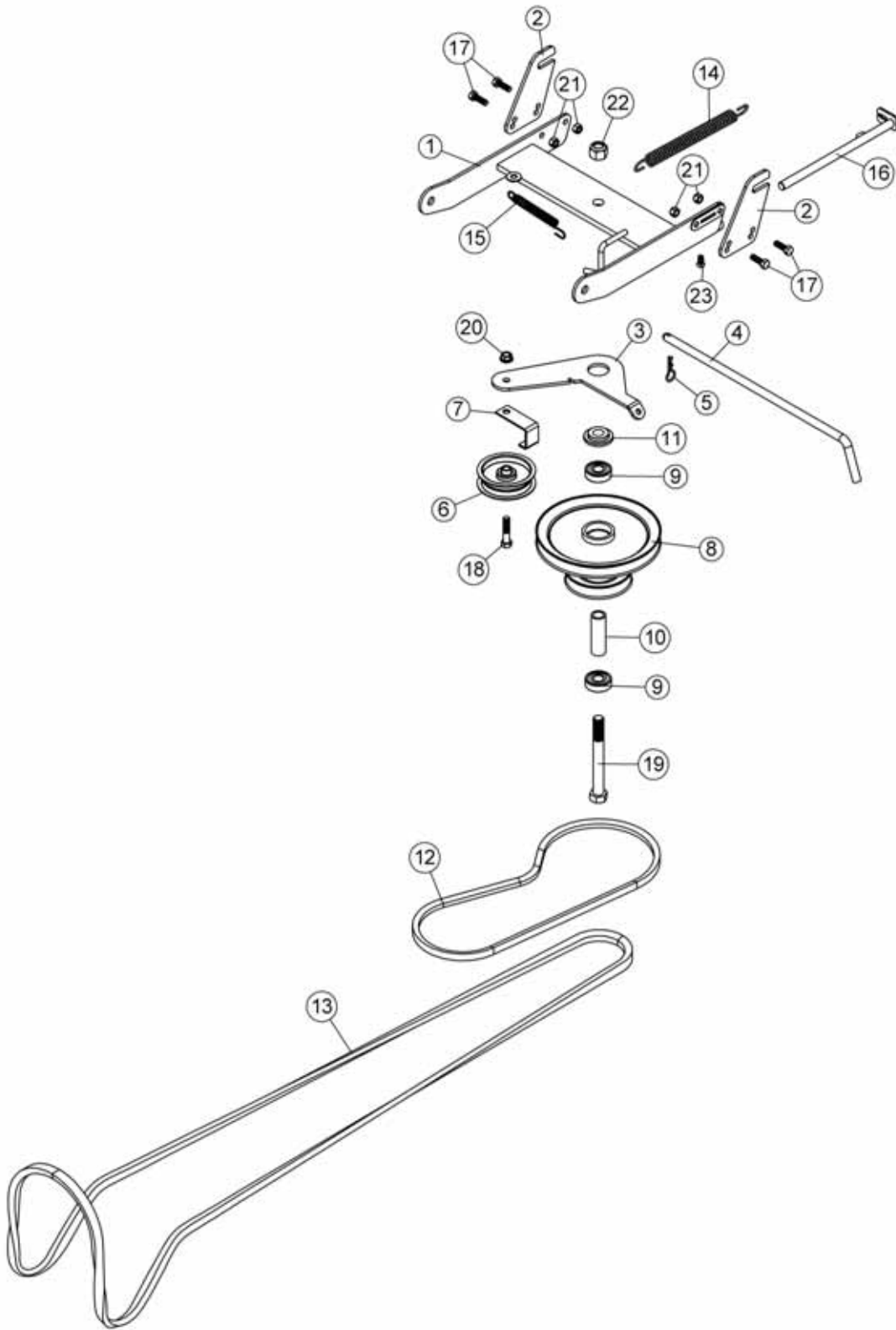


PARTS LIST

| Ref. Réf. | English description | Description française | Qty. Qté. | Part # Pièce # |
|--------------|------------------------------------|--|--------------|-------------------|
| 1 | Drive frame | Châssis d'entraînement | 1 | 103608 |
| 2 | Idler arm | Bras de tension | 1 | 103609 |
| 3 | Pin | Goupille | 1 | 103620 |
| 4 | Hair pin 2.5mm | Goupille à ressort 2.5mm | 1 | 102013 |
| 5 | Flat pulley | Poulie plate | 1 | 102839 |
| 6 | Belt guide | Guide-courroie | 1 | 102840 |
| 7 | Double pulley inc. 102736 & 102782 | Poulie double inc. 102736 & 102782 | 1 | 102692 |
| 8 | Ball bearing | Roulement à billes | 2 | 102736 |
| 9 | Sleeve | Douille | 1 | 102782 |
| 10 | Flange washer | Rondelle à bride | 1 | 102969 |
| 11 | V-Belt , A-44 | Courroie en V , A-44 | 1 | 103615 |
| 12 | V-Belt, B-112 | Courroie en V, B-112 | 1 | 103010 |
| 13 | Spring | Ressort | 1 | 102304 |
| 14 | Spring 1/2" | Ressort 1/2" | 1 | 102003 |
| 15 | Adjustment rod | Tige d'ajustement | 1 | 106207 |
| 16 | Hex. bolt 3/8" n.c. x 1 3/4" GR5 | Boulon hex. 3/8" n.c. x 1 3/4" GR5 | 1 | O/L |
| 17 | Hex. bolt 5/8" n.c. x 5 1/2" GR5 | Boulon hex 5/8" n.c. x 5 1/2" GR5 | 1 | O/L |
| 18 | Flange nut 3/8" n.c. | Écrou à bride 3/8" n.c. | 1 | O/L |
| 19 | Nylon Insert lock Nut 5/8" n.c. | Écrou à garniture de nylon 5/8" n.c. | 1 | O/L |
| 20 | Square head set screw 5/16" x 1/2" | Vis à pression à tête carré 5/16" x 1/2" | 1 | O/L |

O/L = Obtain locally/

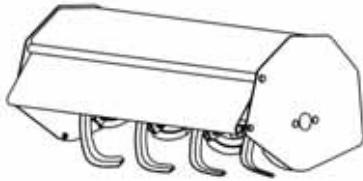
PARTS BREAKDOWN DRIVE MECHANISM 700329-6



PARTS LIST

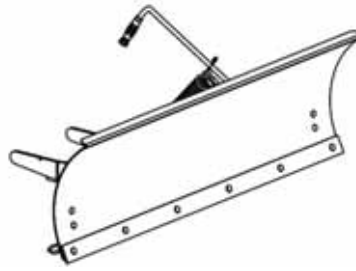
| Ref. Réf. | English description | Description française | Qty. Qté. | Part # Pièce # |
|--------------|------------------------------------|--|--------------|-------------------|
| 1 | Drive frame | Châssis d'entraînement | 1 | 106842 |
| 2 | Support | Support | 2 | 106843 |
| 3 | Idler arm | Bras de tension | 1 | 103609 |
| 4 | Pin | Goupille | 1 | 103620 |
| 5 | Hair pin 2.5mm | Goupille à ressort 2.5mm | 1 | 102013 |
| 6 | Flat pulley | Poulie plate | 1 | 102839 |
| 7 | Belt guide | Guide-courroie | 1 | 102840 |
| 8 | Double pulley inc. 102736 & 102782 | Poulie double inc. 102736 & 102782 | 1 | 102692 |
| 9 | Ball bearing | Roulement à billes | 2 | 102736 |
| 10 | Sleeve | Douille | 1 | 102782 |
| 11 | Flange washer | Rondelle à bride | 1 | 102969 |
| 12 | V-Belt , A-44 | Courroie en V , A-44 | 1 | 103615 |
| 13 | V-Belt, B-112 | Courroie en V, B-112 | 1 | 103010 |
| 14 | Spring | Ressort | 1 | 102304 |
| 15 | Spring 1/2" | Ressort 1/2" | 1 | 102003 |
| 16 | Adjustment rod | Tige d'ajustement | 1 | 106207 |
| 17 | Hex. bolt 5/16" n.c. x 1" GR5 | Boulon hex. 5/16" n.c. x 1" GR5 | 4 | O/L |
| 18 | Hex. bolt 3/8" n.c. x 1 3/4" GR5 | Boulon hex. 3/8" n.c. x 1 3/4" GR5 | 1 | O/L |
| 19 | Hex. bolt 5/8" n.c. x 5 1/2" GR5 | Boulon hex 5/8" n.c. x 5 1/2" GR5 | 1 | O/L |
| 20 | Flange nut 3/8" n.c. | Écrou à bride 3/8" n.c. | 1 | O/L |
| 21 | Nylon Insert lock Nut 5/16" n.c. | Écrou à garniture de nylon 5/16" n.c. | 4 | O/L |
| 22 | Nylon Insert lock Nut 5/8" n.c. | Écrou à garniture de nylon 5/8" n.c. | 1 | O/L |
| 23 | Square head set screw 5/16" x 1/2" | Vis à pression à tête carré 5/16" x 1/2" | 1 | O/L |

ATTACHMENTS



ROTARY TILLER #700312

Mounts to the rear of lawn & garden tractors 14 to 25 HP. Comes complete with drive & manual lift mechanisms & mounting hardware.



UTILITY BLADE #700266

Mounts on the same subframe as the snowblower & rotary broom.



SNOWBLOWER

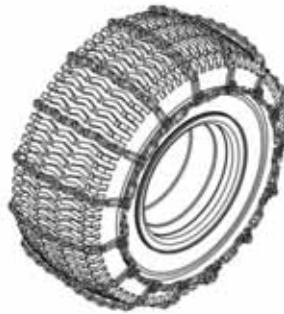
#700255 40"

Fits on same subframe as rotary broom and utility blade.



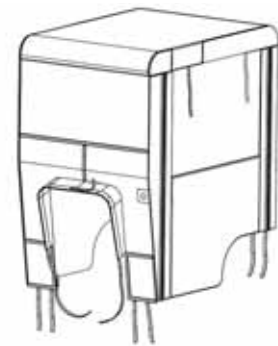
ROTARY BROOM
#700380 with nylon brush
/#700381 with polypropylene brush.

Fits on same subframe as snowblower & utility blade. Requires an adaptor.



TIRE CHAINS

Two link spacing. Required for traction and safety.
Pkg. of 2

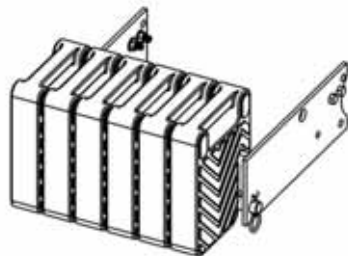


TRACTOR WINTER CAB

#700271 34"

#700423 40"

Universal type fits on a wide variety of lawn and garden tractors.



COUNTERWEIGHT

#700240 Universal rear weights

Required for safety and traction. Counterbalances weight of attachment.



***WHEN PERFORMANCE
& DEPENDABILITY
ARE NON NEGOTIABLE !***

**Bercomac Limitée
92, Fortin North, Adstock, Quebec, Canada, G0N 1S0**

WWW.BERCOMAC.COM

PRINTED IN CANADA

(ORIGINAL NOTICE)