

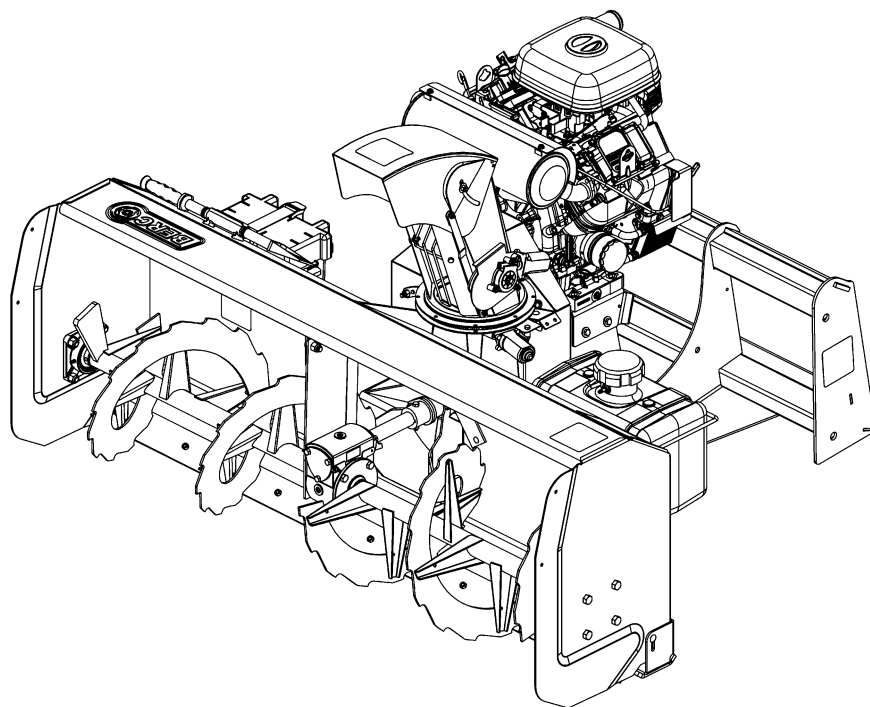


OWNER'S MANUAL

MODEL NUMBERS

#700968-1-33V Snowblower 66"

#700969-1-33V Snowblower 72"



BERCOMAC

VANTAGE 66" & 72" Snowblower for compact tractor

*ASSEMBLY

*REPAIR PARTS

*OPERATION

*MAINTENANCE

CAUTION:

**READ & FOLLOW ALL SAFETY RULES & INSTRUCTIONS BEFORE
OPERATING YOUR EQUIPMENT**



Table of content

Table of content

Introduction	1	To direct the snow when removing	18
Important safety information	2	Snow removal	18
Safety alert symbol/Signal words/Safety messages	2	Clearing blockage	19
Safety Decals	5	Burnishing procedure.....	19
Assembly & initial set-up	8	Adjustments.....	20
Vehicle requirements	8	Troubleshooting.....	21
Reception	8	Maintenance & Lubrication	24
Assembly general instructions	9	Maintenances	24
Assembly	9	Engine Maintenance	24
Assembly of the hitch on the snowblower	9	Snowblower maintenance	24
Chute installation	10	Cutting edge maintenance	24
Control box installation:.....	11	Maintenance procedures	25
Assembly of options	12	Auger and fan shear bolt replacement	25
Head light kit #700456	12	Belt replacement:.....	25
Snow drift cutter kit #700535	12	Replacing one or two sections of the augers and / or the gear box	26
Initial setting.....	12	Lubrication.....	27
Accessory Hook-up & Unhook	13	Storage and transportation	28
Operating Instructions	15	Long-Term Storage	28
Safety precaution	15	Transportation.....	28
Controls and display	17	Specifications	29
Snowblower operation.....	17	Part list and parts breakdown.....	30
Lifting the snowblower	17	Torque specification table	54
Engine of the snowblower	17	Warranty	55
Operating instructions.....	18		
Pre-start instructions	18		
Vehicle shutdown procedures	18		
Hooking-Up and unhooking the accessory	18		

Introduction

Introduction

To the purchaser

This new accessory was carefully designed to give years of dependable service. This manual has been provided to assist in the safe operation and servicing of your attachment.

All photographs, illustrations and information in the manual may not necessarily depict the actual models or attachments, but are intended for reference only and are based on the latest product information available at the time of publication.

Familiarize yourself fully with the safety recommendations, assembly, operating procedures, adjustments, troubleshooting, and maintenance before putting the machine to use. It's a necessity for all operators to carefully read, understand and follow these recommendations and insist that they be followed by those who will use this attachment. This manual should be kept for future reference.

Please check if you have received all the parts for your kit with the list of the bag and the list of the box.

Serial number

If applicable, record the serial number and purchase date of your attachment in the section reserved below. Your dealer will require this information to give you prompt, efficient service when ordering replacement parts. Use only genuine parts when replacements are required.

If applicable, the location of the serial number on the accessory is shown in the parts breakdown & part list section of this manual.

SERIAL NUMBER _____ **MODEL NUMBER** _____

PURCHASE DATE _____

If warranty repairs are required please present this registration booklet and original sales invoice to your selling dealer for warranty service.

Terminology

- "Accessory" is used as a general word to describe the product covered in this manual.
- The "right" and "left" side is determined by sitting in the driver's seat facing forward.
- "Vehicle" is a general term to describe the vehicle (tractor, atv, utv, garden tractor,...) the accessory is installed

Further Assistance

If you need any assistance in understanding the information given in the manual and other concerns regarding operation of the machine or for repair parts, safety decals,...

1. Ask your dealership's service representative.
2. If you are not satisfied, seek for general manager of dealership or service manager.
3. If you are still not satisfied, contact us at the address specified on the back page of this manual.

Application

The adaptator is to allow the use of the Vantage snowblower on tractor loader with universal quick hitch to clear snow.

Important safety information

Safety alert symbol/Signal words/Safety messages

These are common practices that may or may not be applicable to the product described in this manual.

SAFETY ALERT SYMBOL



THIS SAFETY ALERT SYMBOL IDENTIFIES AN IMPORTANT SAFETY MESSAGE IN THIS MANUAL THAT HELPS YOU AND OTHERS AVOID PERSONAL INJURY OR EVEN DEATH. DANGER, WARNING, AND CAUTION ARE SIGNAL WORDS USED TO IDENTIFY THE LEVEL OF HAZARD. HOWEVER, REGARDLESS OF THE HAZARD, BE EXTREMELY CAREFUL.

⚠ DANGER: Signals an extreme hazard that will cause serious injury or death if recommended precautions are not followed.

⚠ WARNING: Signals a hazard that may cause serious injury or death if the recommended precautions are not followed.

⚠ CAUTION: Signals a hazard that may cause minor or moderate injury if the recommended precautions are not followed.

PREPARATION FOR USE

All operators, no matter how experienced they may be, should read and understand this and other manuals related to the vehicle and accessory before operating. It is the owner's legal obligation to instruct all operators in safe operation of the accessory to prevent injury or death. Improper use of the accessory can cause serious injury or death.

- Read and understand this owner's manual carefully. Be thoroughly familiar with the controls and proper use of the vehicle and accessory. Know how to stop the unit and handle the controls quickly in case of emergency.
- Read and understand the "Safety Decals" section, read all instructions noted on them or/and in the "Safety Decals" section.
- Never allow children to operate the vehicle nor the accessory. Never allow adults to operate or maintain the vehicle nor the accessory without proper instructions. Local regulations restrict the age of the operator.
- Children are often attracted to accessories. Never assume children will stay in place where you have last seen them. Keep children under surveillance of a responsible adult at all times.
- No one should operate the vehicle nor the accessory while intoxicated or while taking medication that impairs the senses or reactions. The operator should, if taking medication, seek

medical advice on whether he/she can safely operate the equipment.

- Keep the area of operation clear of all people, particularly small children.
- Never start or operate the accessories except from the operator's seat.
- Prepare for emergencies. Be prepared if a fire starts. Keep first aid kit and fire extinguisher handy. Keep emergency phone numbers (doctor, ambulance, etc) near a phone.
- Thoroughly inspect the area where the accessory is to be used and remove door mats, wires, and other foreign objects .
- For motorized accessories, disengage all clutches and shift into neutral before starting engine.
- Do not operate or maintain the accessory without wearing adequate clothing and safety equipment. (glasses, muffs, earplugs, mask...) Wear footwear that will improve footing on slippery surfaces. Prolonged exposure to loud noise can cause hearing impairment or hearing loss.
- Clothing should be snug without fringes and pull strings to avoid entanglement with moving parts.
- Avoid wearing radio headphones while operating.

Important safety information

- Handle fuel with care, it is highly flammable and vapors are explosive.
 - a) Extinguish all cigarettes, cigars, pipes and other sources of ignition.
 - b) Use approved fuel container.
 - c) Never add fuel to a running engine or hot engine.
 - d) Fill fuel tank outdoors with extreme care. Never fill fuel tank indoors.
 - e) Never fill containers inside a vehicle, on a truck or a trailer bed with a plastic liner. Always place containers on the ground, away from your vehicle, before filling.
 - f) When possible, remove gas-powered equipment from the truck or trailer and refuel it on the ground. If this is not possible, then refuel such equipment on a trailer with a portable container, rather than directly from a gasoline dispenser nozzle.
 - g) Keep the nozzle in contact with the rim of the fuel tank or container opening at all times, until refueling is complete. Do not use a nozzle lock-open device.
 - h) Never overfill fuel tank. Replace fuel cap securely and wipe up spilled fuel.
 - i) If fuel is spilled on clothing, change clothing immediately.
- Never attempt to make any adjustments while the engine (motor) is running (except when specifically recommended by manufacturer).
- Let the vehicle and accessory adjust to outdoor temperatures before using.
- Always make sure to have safe traction on the vehicle by using the recommended accessories (chains, tracks, counterweights...). See operation section.
- Always make sure all components are correctly installed. (driveline securely attached and locked at both ends, belts properly installed...)
- Never modify the accessory or any part without the written consent from the manufacturer. Use only options/accessories approved by the manufacturer
- Avoid underground utilities. If the accessory digs into the ground, always contact your local utility companies (electrical, water, gas,...) before digging to know where you can dig.
- Exercise extreme caution when operating on or crossing gravel drives, walks or roads. Stay alert for hidden hazards such as traffic, fences, trees, buildings, wires, etc.
- After striking a foreign object, stop the engine (motor), disconnect the wire from the spark plug(s) and keep wire away to prevent accidental starting. Thoroughly inspect the accessory for any damage and repair damage before restarting and using the accessory.
- If the unit should start to vibrate abnormally, stop the engine (motor) and check immediately for the cause. Vibration is generally a warning of trouble. Do not use equipment until properly repaired.
- Take all possible precautions when leaving the operator's seat. Disengage the power take-off, lower the accessory, place the transmission into neutral, set the parking brake, stop the engine and remove the ignition key to prevent unauthorized starting then wait for all components to come to a complete stop before leaving operator's seat.
- Do not run the engine indoors, except when starting the engine and for transporting in or out of the building. Do not operate or let motor run in a storage area without ventilation because gas contains carbon monoxide which is odorless, colorless and can cause death.
- Never use the accessories across the face of slopes. Go from top to bottom. Exercise extreme caution when using equipment on slopes, on wet ground or near a drop-off. Do not attempt to use accessory on a steep slope.
- Never tolerate bystanders in the working zone or between the vehicle and accessory while hooking-up the accessory.
- Never operate the accessory at high transport speeds. Move and turn vehicle at low speeds during operation. Be cautious when backing up.
- Do not carry or lift passengers on vehicle or accessory.
- Disengage power to the accessory when it is transported or not in use.
- Never operate the accessory without good visibility or light.
- Keep the accessory away from heat sources or flames.
- Never use accessory if it has been dropped or damaged. Repair if necessary before re-using.
- Never use an accessory without proper guards, plates, or other safety protective devices in place

OPERATION:

- Do not put hands or feet near, under or inside rotating parts or any power driven parts

Important safety information

TRANSPORT

- Review Transport Safety instructions in the vehicle manual before moving or hauling.
- Check with local authorities regarding transport on public roads and off road. Comply to all applicable laws and regulations.
- Make sure all lights and reflectors that are required by the local highway and transport authorities (example : SMV (Slow Moving Vehicle), flashing warning light) are in place, are clean, and can be seen clearly by all overtaking and oncoming traffic. Turn on flashing warning light whenever on a highway, except where such is prohibited by law.
- Never have the equipment in operation during transport.
- Always travel at a safe and slow speed to allow adequate steering control and stopping
- Always drive with accessory low to the ground but high enough to avoid any contact with road or any foreign objects during transportation
- Avoid any contact with any overhead power line.
- Never drive the accessories across the face of slopes. Go from top to bottom or bottom to up
- Engage parking brake when stopped on an incline
- Allow for the accessory length when making turns.

MAINTENANCE AND ADJUSTMENT

- When cleaning, repairing or inspecting the vehicle and accessory: park on a solid level ground (in a clean dry area), disengage drives, lower implement, set parking brake, stop the engine, remove ignition key, and wait that all moving parts have stopped and cooled. For gasoline engine, disconnect wire from the spark plug(s) and keep wire away to prevent accidental starting.
- Allow the accessory to cool before working on it
- Use a jack and support blocks to support equipment when required. Carefully release pressure from equipment with stored energy.
- Check all the bolts and components at frequent intervals to make sure that they are properly tightened and in safe working condition.
- When inflating tires, stand on one side NOT in front or over the tire assembly. Use a safety cage if available.
- Remove grease, oil, or debris build-ups.

Remove all tools and unused parts from equipment before operation.

- Disconnect battery ground cable (-) before servicing or adjusting electrical systems or before welding on implement
- Replace parts on this accessory with genuine part only.
- Understands maintenance and adjustment procedure, see adjustment and maintenance section of the owner's manual.
- Never work or walk under the accessory unless securely blocked. Otherwise accessory can fall.
- Visually check for hydraulic leaks and broken, missing, or malfunctioning parts and make necessary repairs before applying pressure to the system. Do the same validation after applying pressure to the system (use a piece of cardboard not your hands to detect leaks).
- Escaping hydraulic oil under pressure can have sufficient force to penetrate skin, causing serious personal injury. If injured by escaping fluid, obtain medical treatment immediately.
- Wear protective gloves and safety glasses or goggles when working with hydraulic system.
- Before disconnecting hydraulic line or performing work, relieve all hydraulic pressure

STORAGE

- Never store a motorized accessory with fuel in the fuel tank inside a building where ignition sources are present such as hot water and space heaters, clothes dryers, and the like. Allow the engine to cool before storing in any enclosure.
- Always refer to the owner's manual when you store the accessory and vehicle for a prolonged or an unspecified length of time.
- Maintain or replace safety and instruction labels, as necessary.
- For winter accessories, (if applicable), let the engine run for a few minutes after clearing snow in order to prevent the rotary parts from freezing.
- Always refer to operator's manual for important details if the accessory is to be stored for an extended period
- Store the accessory in an area where children normally do not play. Secure the implement using blocks and supports and secure any pointy or sharp edges.

Important safety information

Safety Decals

Read and understand all instructions/explanations noted on decals or/and in the “Safety Decals” section

- Keep the safety decals clean and visible
- For decal location see part list section of this manual
- Replace decals if decals are missing or illegible
- To buy new decals, see the “further assistance” section in the introduction section of this manual
- To Install new labels
 - If the decal is located on a riveted panel and this panel need to be replaced call consumer support for more specific instruction. Is the riveted panel still in good condition follow the next step
 - Deeply clean area where the label will be installed (remove any grease, rust, dust,...)
 - Peel the decal and install at the proper location (see part list) by pressing on the decal
 - Remove any bubble under the decal

Decal # 107972 (2 places)



Important safety information




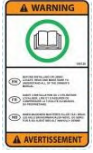


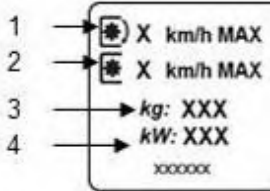
Decal # 109032 (2 places)

! DANGER

TO AVOID SERIOUS INJURY OR DEATH	POUR ÉVITER DES BLESSURES GRAVES OU LA MORT
<ul style="list-style-type: none">· Never operate the accessory with the accessory PTO engaged if the accessory is not on the ground.· Never lift the accessory more than 3 feet off the ground.· Always operate or travel with the accessory parallel to ground.· Disengage accessory clutch, and wait for all moving part to come to a stop BEFORE dismounting from the vehicle.· Always make sure to have good visibility.	<ul style="list-style-type: none">· N'utilisez jamais l'accessoire avec la PDF de l'accessoire engagée si l'accessoire n'est pas sur le sol.· Ne soulevez jamais l'accessoire à plus de 3 pieds du sol.· Toujours opérer ou déplacer avec l'accessoire parallèle au sol.· Désengagez l'embrayage de l'accessoire et attendez que toutes les pièces en mouvement s'arrêtent AVANT de descendre du véhicule.· Toujours s'assurer d'avoir une bonne visibilité.

109032

Important safety information

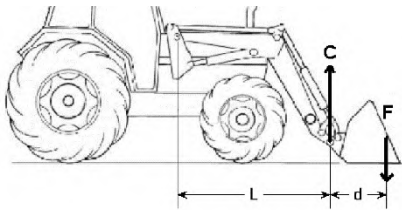
Symbol	Description
<p>Decal #105126</p> 	<p>To avoid serious injury:</p> <p>Keep hands, feet & clothing away from rotating auger while engine is running.</p>
<p>Decal #105127</p> 	<p>To avoid serious injury:</p> <p>Keep hands out of this discharge chute while engine is running.</p>
<p>Decal #105128</p> 	<p>To avoid serious injury:</p> <p>Keep hands, feet & clothing away.</p> <p>Do not attempt to install or remove drive belt without reading owner's manual.</p>
<p>Decal #105130</p> 	<p>Before installing or using:</p> <p>Locate, read and make sure to understand all of the owner's manual.</p>
<p>Decal #105131</p> 	<p>Refer to owner's manual about wearing safety glasses, ear muffs and mask.</p> <p>Refer to owner's manual for use of counterweights, cat tracks and tire chains.</p>
<p>Decal #109609</p> 	<p>Warning! Lever under tension of a spring.</p>
 <p>1 → X km/h MAX</p> <p>2 → X km/h MAX</p> <p>3 → kg: XXX</p> <p>4 → kW: XXX</p> <p>XXXXXXXX</p>	<p>1-Do not drive faster than 3 KM/H when the snowblower is in operation.</p> <p>2-Do not drive faster than 10 KM/H when the snowblower is in the raised position.</p> <p>3-The head of the snowblower weights</p> <p>4-The engine wattage.</p>

Assembly & initial set-up

Vehicle requirements

The adaptor is designed to attach to tractor loader equipped with a universal quick attach

- Hitch type: Tractor Loader Universal Quick Attach (skid steer quick attach type)
- Maximum vehicle weight: 4000lbs
- Tractor type : agricultural tractor
- Loader minimum lift capacity at full height at pivot pin (C) is 1500lbs. If length L is less than 40", contact us for calculation.



WARNING

To avoid serious injury or death:

Counterweight may be required. Refer to your loader and tractor manual to determine if counterweight is needed. If loader and tractor manual do not have enough information, contact your tractor/loader manufacturer to determine if you need counterweight

WARNING

To avoid serious injury or death caused by vehicle overturn:

Operate only with tractor equipped with an approved rollover-protective structure (ROPS) or ROPS cab and seat belt. Foldable ROPS must be kept up and in locked position at all times. Fasten seatbelt snugly and securely.

Reception

WARNING

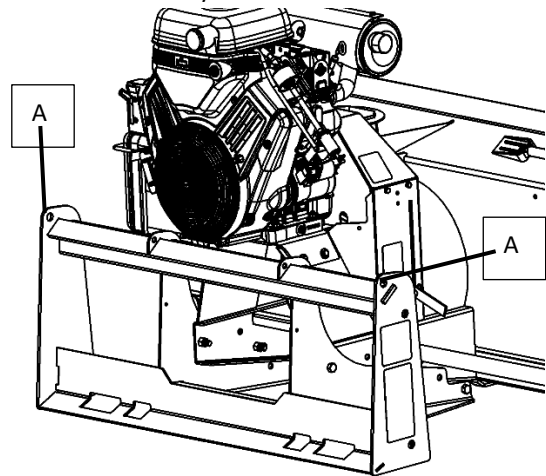
THIS ACCESSORY AND ALL OPTIONS ARE HEAVY!

To avoid risk of strain injury, NEVER lift the accessory or any options by hand alone when handling the components or assembly. Use proper lifting device and seek assistance.

When accessory is off the ground, NEVER be underneath the accessory. Serious injury including possibility of death could occur if accessory were to drop suddenly.

Always wear protective shoes and appropriate gloves when manipulating or using this equipment.

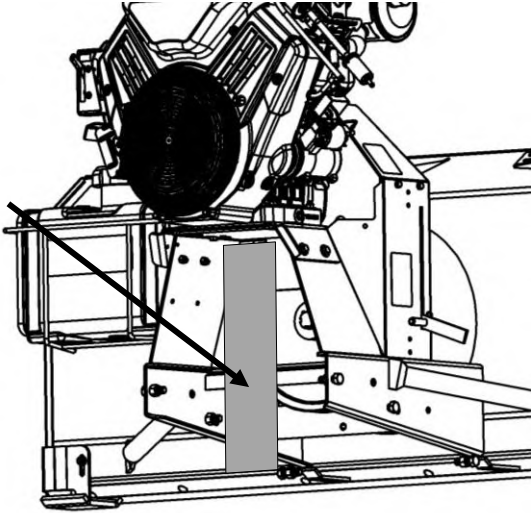
1. Remove the protective wrapper from the shipping wooden box.
2. Disassemble the wooden box.
3. Unbolt the accessory by removing all the fasteners that hold it in place in the wooden box.
4. Using a winch, forklift or other lifting device, attach a chain to each of the 2 holes on the top of the hitch (item A) and slightly lift the rear of the accessory.



5. Place a jack stand under the engine in the location indicated to securely block the snowblower, taking care not to crush any electrical wire (the hitch is hidden in the following image to better show the location).

Assembly and initial set-up

the jack stand is firmly installed on the bottom of the wooden box, if necessary, add a plank between the wooden box and the jack stand to ensure that the latter is stable and firmly supported.



6. Remove the tension in the chains to place the snowblower on the jack stand, but keep the chains in place to help handle the hitch.
 - a. Reposition the snowblower hitch: see assembly section -> assembly of the hitch on the snowblower. This latter has been shipped in a position for ease of shipping and must be repositioned.
 - b. Once this is done, remove the jack stand and then the chains.
7. Install the snowblower on the tractor loader to release it from the wooden box (see the hooking / unhooking section)
8. Reposition and secure the electric wires on the snowblower and the hitch according to where the electric wires pass over the loader arms. Be careful to always leave enough play for all possible movements of the accessory with the loader. Make sure that the wire does not come into contact with sharp, hot surfaces or any other surface that could damage the electrical wiring.

Assembly general instructions

- Unless otherwise specified, torque all bolts to “torque specification table” (see table of content for page number)
- Refer to parts breakdown section for part identification.

Assembly



WARNING

THIS ACCESSORY AND ALL OPTIONS ARE HEAVY!

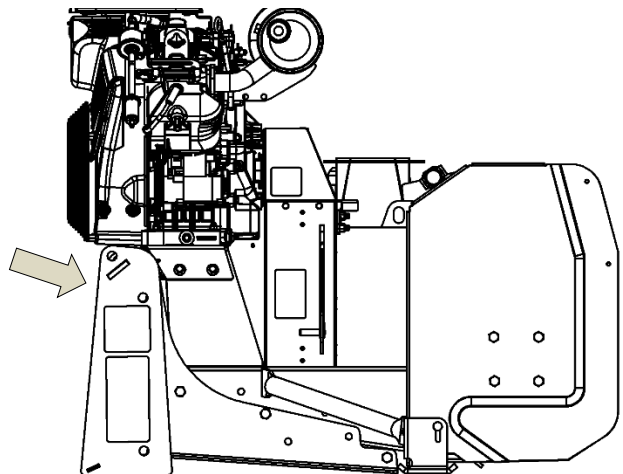
To avoid risk of strain injury, NEVER lift the accessory or any options by hand alone when handling the components or assembly. Use proper lifting device and seek assistance.

When accessory is off the ground, NEVER be underneath the accessory. Serious injury including possibility of death could occur if accessory were to drop suddenly.

Always wear protective shoes and appropriate gloves when manipulating or using this equipment.

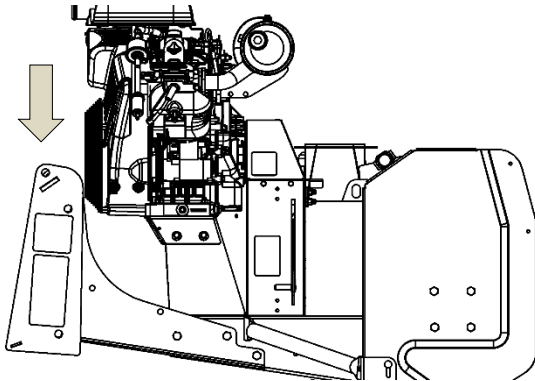
Assembly of the hitch on the snowblower

The snowblower is shipped with the hitch in shipping mode to reduce transportation costs. (the hitch is under the engine).

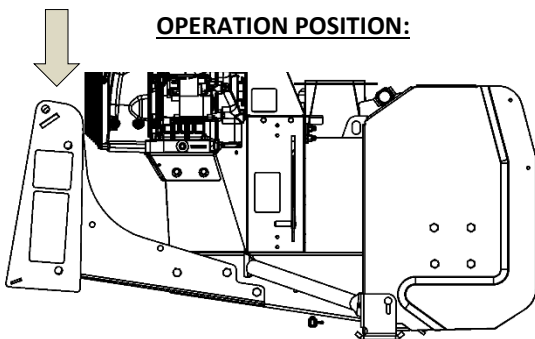
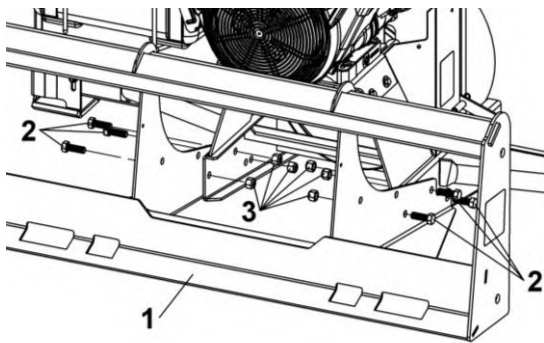


Assembly and initial set-up

You must change the position of the hitch to put it in operation mode (the hitch is at the rear of the engine)



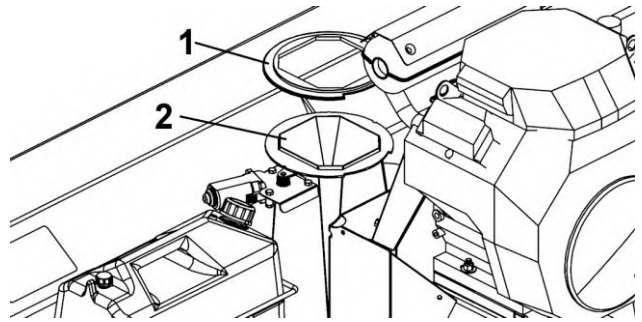
1. After following the reception instructions,
 - A. Unbolt the hitch (item 1) from its initial packing position. Keep the bolts only.
 - B. Install the hitch (item 1) in the position shown. Secure in place using the six bolts (item 2) removed previously and six new 1/2" nylon insert lock nuts (item 3) provided in the hardware bag.



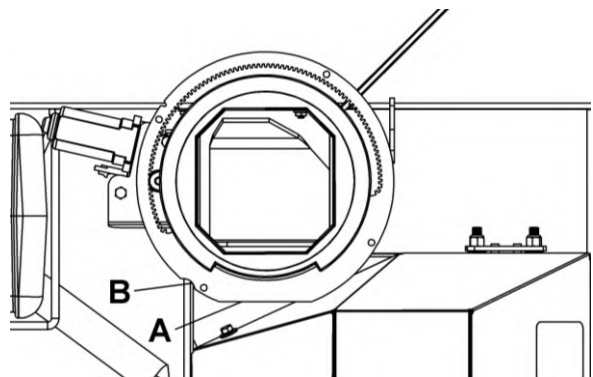
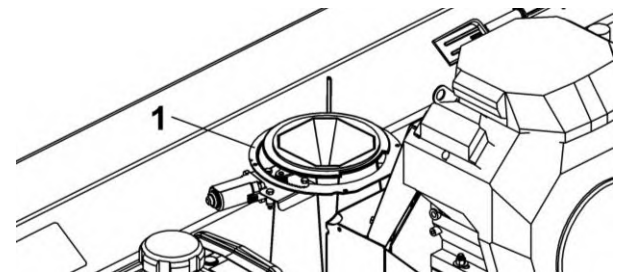
2. Once the rear hitch is properly repositioned, remove the bracket previously installed under the engine mount to allow the hitch to be repositioned.

Chute installation

1. Install the nylon rotation ring (item 1) over the opening (item 2) as shown and align the notches.



2. Install the rotation ring (item 1) over the opening as shown. Place grooves of the rotation ring onto the grooves of the rotation motor and place notch (A and B) as shown.

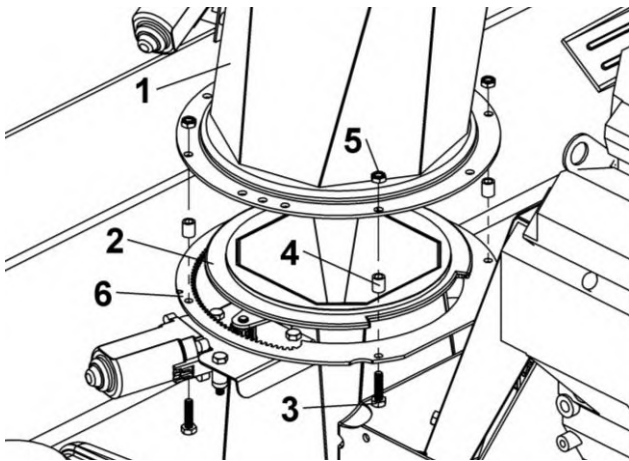


3. Install the chute (item 1) over the nylon rotation ring (item 2).
 - a. Turn the chute to make sure it turns freely. Place the chute to the right as shown.
 - b. Insert the hex bolts 1/4" x 1" (item 3) under the

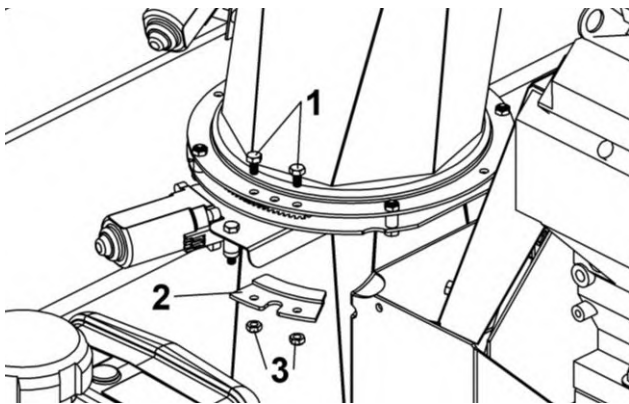
Assembly and initial set-up

rotation ring (item 6) in each hole as shown.

- c. Insert the spacers (item 4) on the hex bolts between the rotation ring and the chute. Secure in place with the 1/4" nylon insert lock nuts (item 5).



4. Insert the 1/4" x 1/2" hex bolts (item 1) in the holes as shown.
 - a. Install the retaining plate (item 2) under the chute as shown.
 - b. Secure in place with the 1/4" nylon insert lock nuts (item 3) as shown.



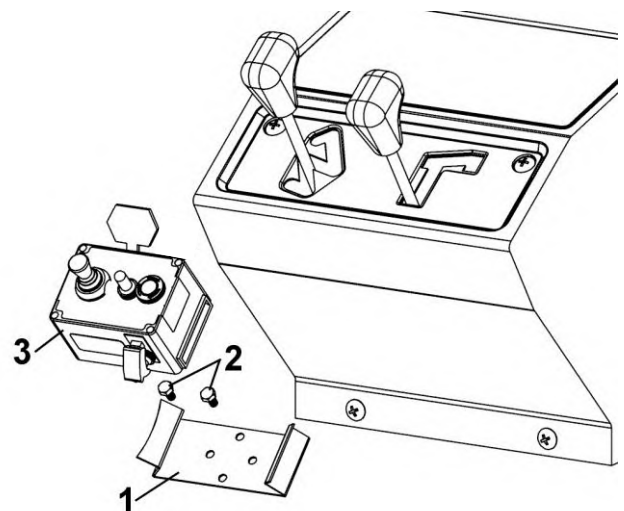
Control box installation:

DANGER

To prevent serious injury and even death

It is the user's responsibility to ensure that the electrical harness is always in good condition and cannot be damaged by any movement of the tractor or the accessory or by sharp or too hot or abrasive surfaces.

1. Disconnect the wires that are connected to the control box (item 3).
2. Install the box support (item 1) in an appropriate place. Drill holes if necessary.
3. Secure the box support with the two 1/4" x 1/2" hex bolts and flange nuts.
4. Tighten firmly.
5. Install the control box on the box support.
6. Thread the wires that unites the accessory under the hood to the front of the vehicle.
7. If necessary, reposition and tie the wires to the rear of the snowblower and the hitch frame without touching the electrical connection.

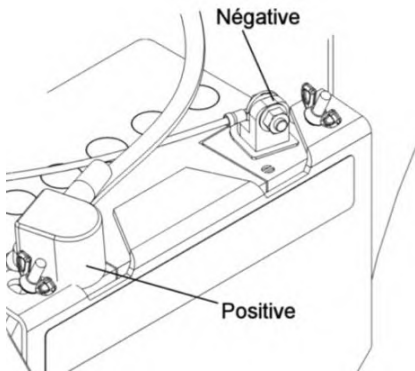


Assembly and initial set-up

8. Install the battery support with wiring (700524)

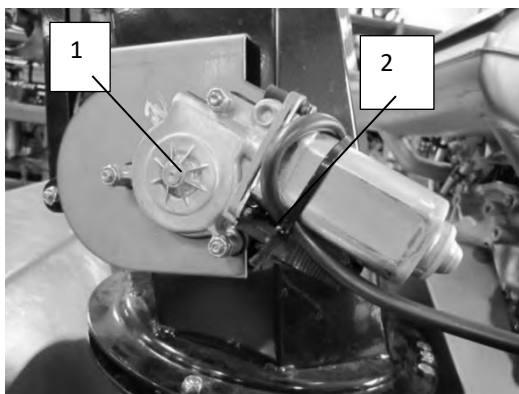
IMPORTANT: The control box is equipped with a red emergency stop button if needed to stop the engine quickly.

NOTE: The emergency switch must be pulled out to start the accessory engine.



9. Connect the connector to the deflector motor (item 1).
10. Make sure to insert the connectors together and attach the wire connected to the deflector motor with a nylon tie wrap (item 2) as illustrated. Cut off the excess nylon tie wrap.

CAUTION: Make sure that the wire is long enough to allow full rotation of the chute and that no wire gets caught or comes in contact with the muffler.



Head light kit #700456

See the instructions that come with the kit.

Snow drift cutter kit #700535

See the instructions that come with the kit.

Initial setting

Make sure to arrange the wires from the control box on the loader arms to the operator's station. Secure them securely. Do this after hooking the accessory on the vehicle (see section hook-up and unhook).

Assembly of options

See with your dealer for an up-to-date list of options.

Accessory Hook-up & Unhook

Hooking-Up the accessory - Skid steer quick attach style

DANGER

To avoid serious injury or death :

A Crushing Hazard exists when hooking-up equipment. Do not allow anyone to stand between vehicle and the equipment while hooking-up to implement. Do not operate hydraulic controls while someone is near the vehicle or implement.

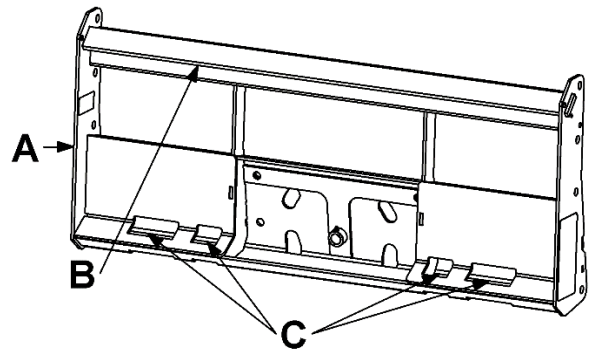
WARNING

To avoid serious injury or death :

Make sure the skid steer style loader hitch is properly attached to the quick attach frame. It must be secured under the top angle bar and locking handles must be locked down with locking pins extending fully through the bottom slots. An improperly attached equipment can come loose and fall.

- A. Shutdown vehicle see “vehicle shutdown procedure” in the operation section
- B. Make sure all hooking components are clean and no components will interfere with hitch hook-up. If needed, pull locking handles up on loader hitch until locking pins are fully raised.
- C. Carefully drive up to the accessory making sure loader hitch is parallel with the quick attach frame (item A).
- D. Rotate top of loader hitch slightly forward.
- E. Place top of loader hitch under the top angled bars (item B) on the quick attach frame.
- F. Slowly lift loader hitch up until hitch and top angle bars on the equipment have come together.
- G. Rotate top of loader hitch back to align bottom slots (item C) in the quick attach frame with locking pins on the loader hitch.

- H. Shut down vehicle before dismounting to complete hook-up. Refer to “vehicle shutdown procedure” in the operation section
- I. Push locking handles on loader hitch down until locking pins fully extend through bottom slots (items C) in quick attach frame. Make sure locking handles are locked into position to keep pins from backing out
- J. See hose Hook-up section and electrical Hook-up if applicable



Note : Accessory has been hidden on the picture above for comprehension purposes.

Check interferences

Repeat the following steps for all possible adjustments of the accessory (see adjustment section) and all possible movement of any part of the accessory which affect the position of any part of the accessory relatively to the tractor.

- A. After doing the adjustment, validate that any part of the accessory does not contact any part of the tractor
- B. Slowly move the accessory up and down and validate that any part of the accessory does not come in contact with any part of the tractor.

Accessory Hook-up & Unhook

Electrical harness assembly

For initial assembly, see assembly section.

Once the accessory is attached to the hitch, connect the wire from the control box and make sure that all the controls are working correctly (see operation section: control)

DANGER

To prevent serious injury and even death

It is the user's responsibility to ensure that the electrical harness is always in good condition and cannot be damaged by any movement of the tractor or the accessory or by sharp or too hot or abrasive surfaces.

Unhooking the accessory - Skid steer quick attach style

Safely lower the accessory

- A. Park vehicle on a solid and flat surface
- B. Lower the accessory until front of the snowblower is resting on the ground

DANGER

TO AVOID SERIOUS INJURY OR DEATH

Before leaving the operator's seat, lower attachment to the ground, set park brake, turn off vehicle engine and remove key and disengage accessory PTO, kill accessory engine with emergency switch and keep the emergency switch engaged until you need to start the accessory engine. See pre-start instruction before starting engine.

Never allow anyone in or near the operating station when you are working on/around the vehicle or accessory.

Place transmission in park, set park brake, shut power equipment off, and remove switch key to avoid accidental starting. See "vehicle shutdown procedures" in the operation section

Remove from Skid Steer Style Hitch:

- A. Remove any electric or hydraulic connections if applicable
- B. Pull lock handles up to remove pins from bottom slots in hitch plate.
- C. Return to vehicle. Start vehicle and tilt top of hitch plate slightly forward toward the equipment.
- D. Slowly lower the equipment until its top angle bar and loader hitch have separated.
- E. Back vehicle slowly away from the equipment while making sure the loader hitch does not interfere with the equipment.
- F. Shutdown the vehicle See "vehicle shutdown procedures" in the operation section.
- G. Check the stability of the accessory to make sure the unit will not tip easily in any direction (forward, backward,...). If required, add support where needed to make sure the accessory will not overturn
- H. Refer to long term storage section if accessory will be stored for a long period

Operating Instructions

Safety precaution

DANGER

To avoid serious injury or death:

- Always follow all safety precaution in the important safety information section of this manual.
- Follow all instructions and safety precautions in your vehicle manual and any other related accessory manual.
- Always follow all safety precaution on all safety decals.
- To avoid being pinned between loader lift arm or 3pts hitch and vehicle frame, always operate the accessory while seated in the operator seat with seat belt fastened.
- Keep any part of your body inside the operator area.
- Before leaving the operator's seat, lower attachment to the ground, set park brake, turn off engine and remove key.
- Do not use foot or hand control for handholds or steps.
- Keep foot and hand control clean at all times.
- Never bypass or modify a safety device.
- Keep away from electrical power lines.
- Never allow riders on vehicle or accessory.
- Operate vehicle only if equipped with ROPS with seatbelt fastened at all times.
- Check hitch fit-up frequently. An improper fit-up can result in the accessory detaching from the vehicle.
- It is the operator's responsibility to make sure nobody is in the working area before performing any work or any movement with the vehicle and accessory.
- If applicable stop loader arms gradually when lowering or lifting

DANGER

TO AVOID SERIOUS INJURY OR DEATH

Before leaving the operator's seat, lower attachment to the ground, set park brake, turn off vehicle engine and remove key and disengage accessory PTO, kill accessory engine with emergency switch and keep the emergency switch engaged until you need to start the accessory engine. See pre-start instruction before starting engine.

Never allow anyone in or near the operating station when you are working on/around the vehicle or accessory.

WARNING

To avoid serious injury or death:

Counterweight may be required. Refer to your loader and tractor manual to determine if counterweight is needed. If loader and tractor manual do not have enough information, contact your tractor/loader manufacturer to determine if you need counterweight

WARNING

To avoid serious injury or death caused by vehicle overturn:

Operate only with tractor equipped with an approved rollover-protective structure (ROPS) or ROPS cab and seat belt. Foldable ROPS must be kept up and in locked position at all times. Fasten seatbelt snugly and securely.

CAUTION

To avoid serious injury:

- Use the accessory for the intended purpose only, use only for blowing snow.
- Avoid hitting solid objects with the accessory. Hitting objects can damage the accessory and vehicle. Also hitting solid objects can throw the operator forwards causing severe injury.

Operating instructions

WARNING

To prevent injuries

- Do not drive faster than 3 km/hr (2 m/hr) with snowblower on the ground.
- Do not drive faster than 10 km/hr (6 m/hr) with the snowblower in raised position.
- Always disengage the electromagnetic clutch when the snowblower is in the raised position.
- Do not operate on a slope greater than 10%.
- Vehicle manufacturer approved tire chains are required.
- Ear muffs and safety glasses are recommended.

DANGER

To prevent accidents caused by poor visibility at night

- Always use the snowblower in well lighted areas.
- It is essential to install and use a light on the front of the snowblower for night use or in shadowy conditions.

DANGER

To prevent injuries:

- Start the engine, engage and disengage the clutch to be sure it functions normally.
- Make sure the emergency switch is working perfectly.
- Make sure all the controls of the snowblower are working well before using the snowblower.

DANGER

To avoid serious injury or death:

Never touch with your hands or feet the snowblower's fan, auger or the chute because this is the most frequent cause of accidents associated with snowblowers.

WARNING

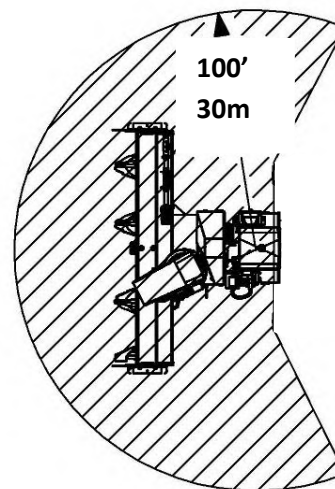
To avoid serious injury:

Never let the snowblower motor run without all guards in place.

DANGER

To avoid serious injury or death:

It is the responsibility of the person installing the accessory to ensure that the clutch system is operating correctly and that the snowblower disengages at all times when the clutch is disengaged and that the engine stops when the emergency stop button is activated.



Operating instructions

Controls and display



WARNING

To avoid serious injury or death:

- Never operate snowblower if its chute can be rotated to throw snow toward the operator. If the chute can be rotated toward the operator, shutdown the snowblower and adjust or repair chute rotation stop before putting the snowblower back into service.
- Keep people and animals away while operating the snowblower. Never throw snow towards people, animals, or operator. The snowblower is capable of picking up solid objects and discharging them at high speeds.

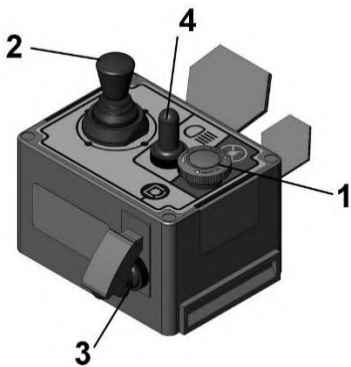
Snowblower operation

IMPORTANT: Take time to familiarize yourself with the location of the switches and with their functions.

DANGER: Always make sure that all the guards are installed before starting the snowblower engine.

Identification of the switches:

1. Emergency kill switch. (**Pull out to start**).
2. Joystick to move the chute and the deflector.
3. Switch to activate the electric clutch.
4. Switch for optional light kit.



DANGER: For the next manipulations, make sure to clear the area in front of the snowblower and the outflow of the chute of all people or objects.

1. Manipulate the four positions switch (item 2) and make sure the chute deflector and rotation work well.
2. Activate the electromagnetic clutch switch (item 3). Make sure the clutch engages and disengages.

3. Engage the electromagnetic clutch. Try to start the snowblower engine. Make sure the engine does not start.
4. Disengage the electromagnetic clutch. Try to start the snowblower engine. Make sure the engine starts.
5. While the engine is running, activate the kill switch (item 1). Make sure the engine stops. Deactivate the kill switch by turning it clockwise.
6. If the snowblower is equipped with a light, activate the light switch (item 4) make sure it activates the light.

Lifting the snowblower

The accessory up down movement is controlled by the loader control on the vehicle.

Always make sure the snowblower is parallel to the ground.

Never raise the snowblower more than 3' from the ground.

Engine of the snowblower

Operate the engine according to the instructions in the engine's owner's manual.

Operating instructions

Operating instructions

Pre-start instructions

Always inspect equipment before using this equipment. Refer to section “Maintenance and Lubrication”

1. Tractor engine off, key removed, vehicle brake engaged or transmission set to brake and accessory hooked on vehicle, lowered to the ground, disengage emergency stop switch on the snowblower control box
2. Then go between tractor and snowblower and start snowblower engine.
3. Return to operating seat and fasten seatbelt before starting to operate vehicle/snowblower.

Vehicle shutdown procedures



DANGER

TO AVOID SERIOUS INJURY OR DEATH

Before leaving the operator’s seat, lower attachment to the ground, set park brake, turn off vehicle engine and remove key and disengage accessory PTO, kill accessory engine with emergency switch and keep the emergency switch engaged until you need to start the accessory engine. See pre-start instruction before starting engine.

Never allow anyone in or near the operating station when you are working on/around the vehicle or accessory.

Always shut down vehicle before dismounting

1. If engaged, disengage PTO
2. Park on level surface, engage parking brake, lower attachment to the ground, turn off engine, and remove key to prevent unauthorized starting.
3. Wait for all components to come to a complete stop before leaving the operator seat.
4. Use steps, grip-handles, and skid-resistant surfaces when getting on and off the vehicle

Hooking-Up and unhooking the accessory

See the Accessory Hook-up and Unhook section of this manual

To direct the snow when removing

Use the chute controls to direct the snow. (see subsection control and display of the operation section).

To direct snow at the preferred distance, adjust the chute deflector (see adjustments section). The more the deflector is open, the greater the distance will be.

To direct the location of the projection, use the control of the rotation of the chute (see subsection control and display of the operation section).

Snow removal

When removing snow, do not use the snowblower as a dozer blade to push snow. Allow snowblower to ingest snow at its own speed. If the speed of your tractor is too fast, the snowblower may become overloaded and plug. For best results, raise the snowblower and remove a top layer of snow. A second pass with the snowblower will remove the remaining snow.

NOTE: To increase the life span of the components, always disengage the snowblower when it is raised.

IMPORTANT: Always inspect hydraulic components and hoses before use. Replace any damaged or worn parts. If you suspect a leak in the hoses, NEVER use your hand to locate it. Use a piece of cardboard or wood.

- A. Make sure the snowblower is free of snow before engaging the snowblower.
- B. Make sure the fan and auger turn freely.
- C. Start snowblower engine.
- D. Start the vehicle engine.
- E. Before engaging the snowblower, the engine should be running at low speed.
- F. Operate the snowblower at maximum speed when removing wet or sticky snow. A low engine speed will tend to obstruct the chute.
- G. Always use the accessory with float mode. To do this, push the tractor hydraulic lever to the float position.

Operating instructions

Clearing blockage

DANGER

To avoid serious injury or death:

Never use your hand to clean out the discharge chute. Hand contact with the rotating impeller inside the discharge chute is the most common cause of injury associated with snowblowers.

- Do not attempt to clear plugged chute, auger or fan of snow while the snowblower's engine is running.
- Disengage snowblower. -Lower snowblower to the ground and set parking brake.
- **SHUT THE ENGINE OFF & REMOVE KEY!**
- Wait 10 seconds to be sure that all moving parts such as the impeller blades have stopped moving.
- Always use a cleaning tool (a wooden stick a minimum of 3 feet long or the chute shovel supplied with some models), **NEVER YOUR HANDS.**

Burnishing procedure

The burnishing procedure must be performed before the first utilisation of the snowblower and after a prolonged period of inactivity. Burnishing the engaging system will ensure proper performance and will help avoid damages. Perform the latter when the snowblower is mounted on the tractor (See the accessory hook-up instruction) and be sure to follow the same safety precautions as when using the accessory for snow removal.

1. Make sure the fan and the augers are free of any obstruction. Start the motor.
2. Engage electric clutch.
3. Disengage electric clutch and wait for all moving parts to stop.
4. Repeat this procedure (steps 2 and 3) 10 times in 30 second intervals to avoid overheating the clutch and damaging it.

Adjustments



DANGER

TO AVOID SERIOUS INJURY OR DEATH

Before leaving the operator's seat, lower attachment to the ground, set park brake, turn off vehicle engine and remove key and disengage accessory PTO, kill accessory engine with emergency switch and keep the emergency switch engaged until you need to start the accessory engine. See pre-start instruction before starting engine.

Never allow anyone in or near the operating station when you are working on/around the vehicle or accessory.



DANGER

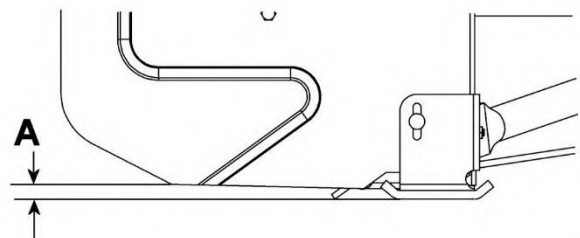
To avoid serious injury or death :

Proceed to the assembly/adjustment on the accessory after it has been properly attached to the vehicle and secured with solid support. Never work around /under equipment supported by hydraulics. Hydraulics can drop equipment instantly if controls are actuated or if hydraulic lines burst even when power to hydraulics is shut off.

Skid shoe adjustment

LEVEL PAVED SURFACE: Adjust skid shoes to allow 3/16" to 1/4" or 5 mm to 7 mm clearance **(A)** between cutting edge and surface.

UNEVEN OR GRAVEL SURFACE: Adjust skid shoes to allow 1/2" to 5/8" or 13 mm to 16 mm clearance **(A)** between cutting edge and surface.



Troubleshooting

Troubleshooting

PROBLEM	POSSIBLE CAUSES	CORRECTIVE ACTION
Snowblower vibrates or is abnormally noisy.	Damaged pulley	Replace pulley
	Damaged bearing	Replace the bearing
	Fan or the augers are damaged	Remove and straighten or replace the parts
	Fan or auger bushings are worn	Replace with new bushings
Snowblower bouncing up & down when ingesting snow.	Augers are not positioned properly	Make sure the ends of the 2 augers are positioned 180 degrees from one another when replacing shear bolts. (See auger & fan shear bolt replacement section in owner's manual)
Fan stops turning	Shear bolt is probably broken	Replace shear bolt (see maintenance section).
Auger stops turning	Shear bolt is probably broken	Replace shear bolt (see maintenance section).
Snowblower stops turning.	Belt is probably damaged or broken	Check and replace damaged belt
Belt is snapping, shredding, burning or worn in a specific place	Snowblower was engaged when plugged	Make sure the augers and the fan are not frozen or plugged before engaging
	Lack of tension on the belt	Adjust the tensioner spring or replace spring if stretched.
Belts show premature wear	Not the original belts	Always use the original belts
	Worn belt, Belt may be worn causing a slack.	Inspect the belt. Replace if required.

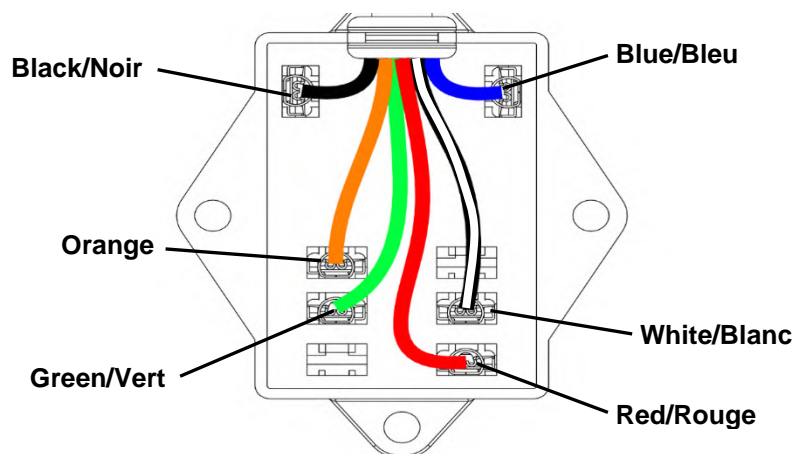
Troubleshooting

PROBLEM	POSSIBLE CAUSES	CORRECTIVE ACTION
	Not the original shear bolts	Always replace the shear bolts with an original bolt.
	Imperfections in the pulleys	Verify if the pulleys are damaged. Verify that the pulleys are smooth without rust spots. Sand down the pulleys or replace them.
	Interference	Make sure that the belt does not come into contact with any other part, bolts, guides etc... when engaged.
Chute rotation is difficult	Dirt or ice may be underneath chute.	Dismount chute. Clean the base of chute and the rotation ring. Lubricate & re-install.
Chute plugs easily.	Snowblower engine running too slowly.	Run engine at full R.P.M. during snow blowing operation.
	Advancing too quickly with vehicle.	Reduce vehicle's speed.. Allow snowblower to ingest snow at its own speed.
The engine does not start	The emergency button is pushed down.	The emergency button must be pulled up to start the engine of the snowblower.
	The electromagnetic clutch is activated.	Deactivate the electromagnetic clutch.
	Other reasons.	See engine's owner's manual
Electric chute motor does not work.	Overheating of the motor.	These motors are equipped with an internal protector. Wait 10 minutes before using.

Troubleshooting

PROBLEM	POSSIBLE CAUSES	CORRECTIVE ACTION
	Frozen motor or chute.	Slap the chute or wiggle from side to side.
	Defective control box or broken wire harness.	Replace control box or wire harness.
	Loose connectors or oxidation on connectors or motor.	Retighten or clean connectors. Or replace connectors.
Electric clutch slips	Insufficient electrical current.	Recharge snowblower's battery.
	Electrical current is cut off.	Replace damaged wiring.
	Clutch basket is contaminated.	Clean plates with brake cleaner.
Electric clutch is noisy or vibrates abnormally.	Mounting bolts are loose.	Tighten or replace bolts.
	Certain clutch components may be damaged.	Repair or replace damaged components.

**In case wires become disconnected from the relay, refer to the wiring diagram below to reconnect them in their proper place. **



Maintenance & Lubrication



DANGER

TO AVOID SERIOUS INJURY OR DEATH

Before leaving the operator's seat, lower attachment to the ground, set park brake, turn off vehicle engine and remove key and disengage accessory PTO, kill accessory engine with emergency switch and keep the emergency switch engaged until you need to start the accessory engine. See pre-start instruction before starting engine.

Never allow anyone in or near the operating station when you are working on/around the vehicle or accessory.



WARNING

To avoid serious injury or death :

- Always follow all safety precautions in the important safety information section of this manual.
- Follow all instructions and safety precautions in your vehicle manual and any other related accessory manual.
- Use jack and support blocks to support equipment when required. Carefully release pressure from equipment with stored energy.
- Replace parts on this accessory with genuine parts only.
- Never work or walk under the accessory unless securely blocked. Otherwise accessory can fall.
- Never allow untrained personnel to service machine.



DANGER

To avoid serious injury or death:

Before doing any snowblower maintenance, disconnect the wire from the spark plug(s) and keep away from spark plug(s) to prevent accidental starting.

Maintenances

Engine Maintenance

Maintain the engine according to the instruction in the engine's owner's manual.

Snowblower maintenance

Check mounting bolts at frequent intervals for proper tightness in order to prevent costly repairs. Make sure your snowblower is in safe working condition.

Cutting edge maintenance

Verify from time to time the wearing on the cutting edge to make sure you do not wear out the base of the snowblower's frame. This cutting edge is reversible. Unscrew the bolts and turn the cutting edge. Reinstall with new carriage bolts 5/16" x 3/4" grade 5 and new lock nuts 5/16".

Maintenance & Lubrication

Maintenance procedures

Auger and fan shear bolt replacement

IMPORTANT: The shear bolts are to be considered a preventive measure and not an assured protection. Operator vigilance is required. Thoroughly inspect the areas where the snowblower is to be used and remove all foreign objects.

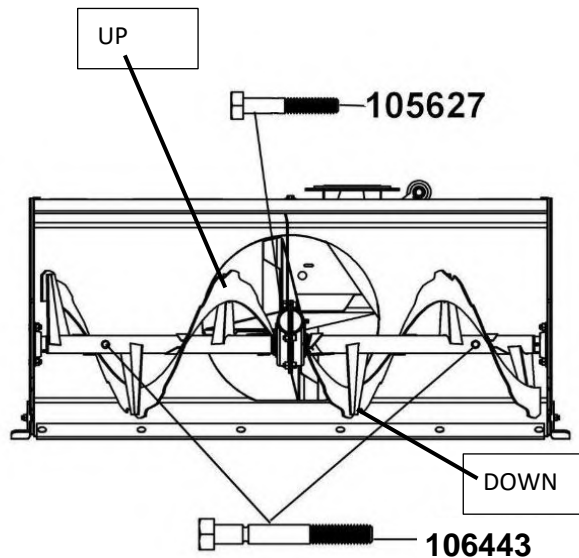
TO AVOID DAMAGE TO THE SNOWBLOWER:

Use only the original shear bolts

(#105627 for the fan et #106443 for the auger).

The use of any other shear bolt will not insure any protection and may void the warranty.

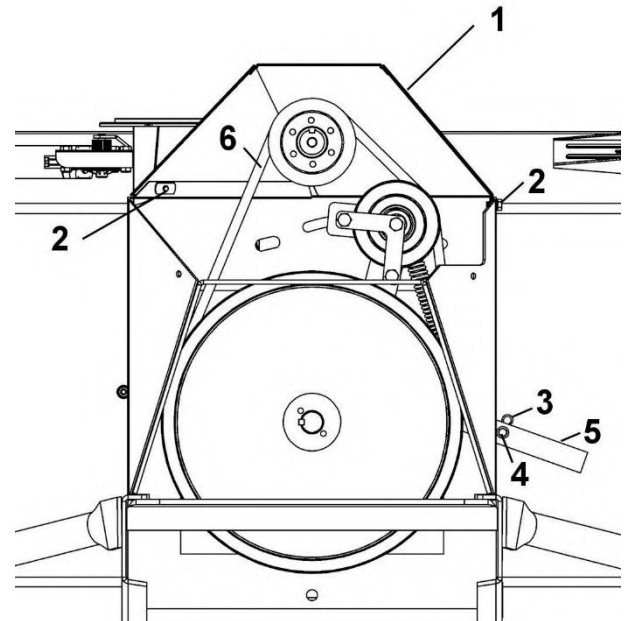
IMPORTANT: When replacing the auger shear bolts it is very important to replace the augers in the same position as shown in figure to avoid damage to the snowblower and to ensure maximum efficiency.



Belt replacement:

For belt part number, refer to parts breakdown section for parts identification.

- Remove the belt guard (item 1) by removing the three hex bolts 1/4" x 1/2" (item 2) and the three lock washers.
- Remove the hair pin (item 3) and the pin (item 4). Raise the lever (item 5) to remove the tension on the belts.
- Remove the old belts (item 6) and install the new ones. Make sure the belts are matched up and sold as a pair.
- Reapply tension on the belts and secure the lever in place with the pin and hair pin.
- Reinstall the belt guard.



Maintenance & Lubrication

Replacing one or two sections of the augers and / or the gear box

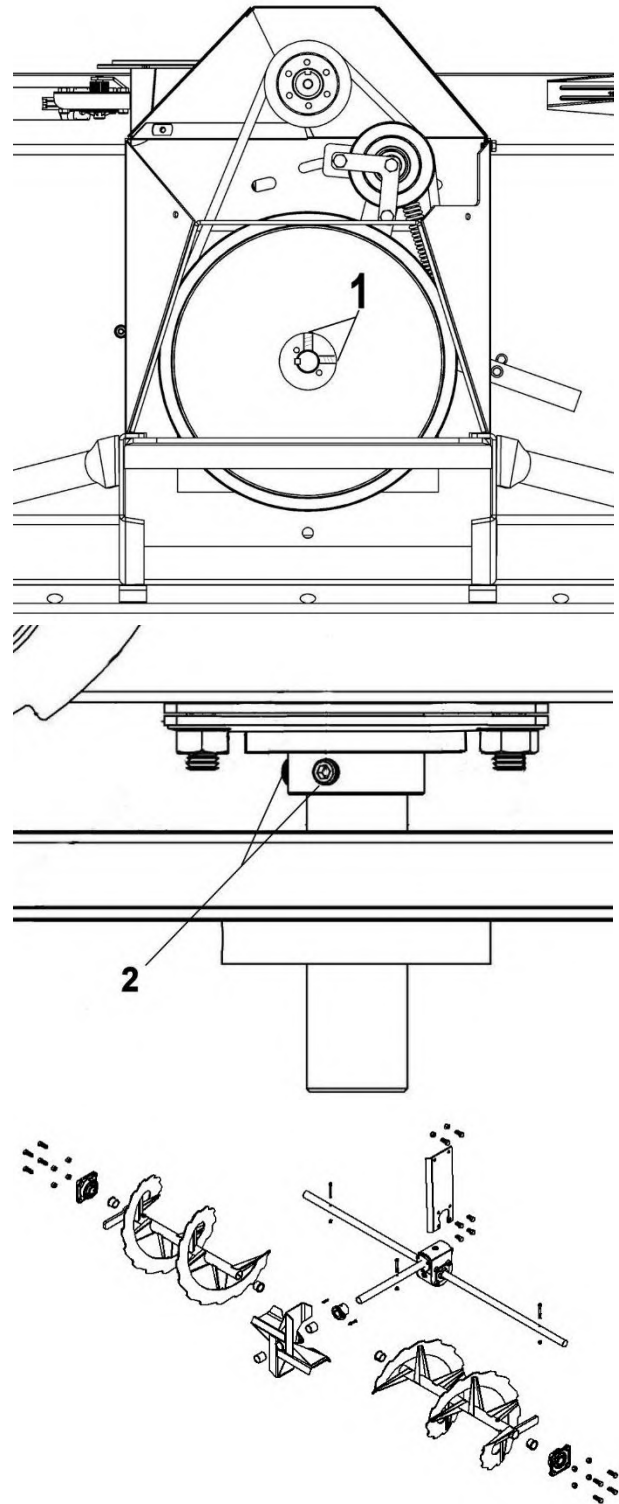
For belt part numbers, refer to snowblower parts breakdown section for parts identification

Snowblower must be detached & disconnected from the vehicle to replace the auger or the gear box.

- a) Remove the gas tank from the support (place on the ground to avoid any spills)
- b) Remove the belt guard.
- c) Remove the belts.
- d) Turn the snowblower face down (optional).
- e) Loosen the two set screws (item 1) on the pulleys (it may be necessary to heat the set screws and center of pulleys to soften the “Loctite”).
- f) Remove the pulleys.
- g) Loosen the two set screws (item 2) on the bearing behind the snowblower (it may be necessary to heat the set screws to soften the “Loctite”).
- h) Remove all the bolts and the nuts that support the gear box and its support.
- i) Remove the assembly (gear box, its support, the fan and augers) from the snowblower and save the nylon bushings and bearings.
- j) Replace the appropriate parts. Insert the shaft and the key into the new gear box (if required).
- k) Install the new auger or augers on their respective side in the position shown with the same nylon bushings on the shaft of the new gear box as shown.
- l) Re-install parts by repeating steps backwards.

IMPORTANT: Clean the parts and apply some Loctite 2760 on the key of the pulleys and on the set screws of the bearings and those of the pulleys. Firmly tighten the set screws.

Follow the instructions in the belt replacement.



Lubrication

CHUTE ROTATION SYSTEM:

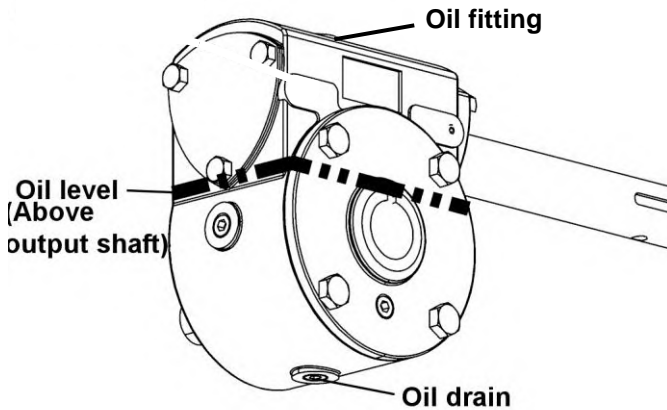
Oil the base of the chute every sixteen hours of operation.

GEAR BOX:

Change oil after the 1st 100 hours of use. Afterwards, every 2500 hours or 6 months.

Oil type used: SAE (80W90)

The gear box should have a total of 500ml of oil or filled just above the output shaft (see figure)



GREASABLE BEARINGS :

Grease every 16 hours of use.

Storage and transportation

Long-Term Storage

Follow unhooking instruction in the section “Hook-up and Unhook Accessory” of this manual.

- Clean the accessory
- Inspect the accessory for loose, damaged, missing, or worn parts. Adjust and tighten loose parts. When needed replace parts with new ones.
- Repaint parts where paint is missing or worn
- Replace all damaged or missing decals
- Lubricate all lubrication points see “Maintenance and lubrication” section
- Store accessory on a level surface in a clean, dry place. Inside storage is preferable. Store where kids do not play.
- Check the stability of the accessory to make sure the unit will not tip easily in any direction (forward, backward,...). If required add support where needed to make sure the accessory will not overturn

Transportation



WARNING

To avoid serious injury or death :

When travelling on public roads, use SMV sign, clean reflectors, and any other device to alert others of your presence. Always comply with all federal, state/provincial and local laws

- A. If applicable, always disengage tractor / accessory PTO before raising accessory to transport position.
- B. Make sure that any part of the accessory does not contact any vehicle part when raising accessory to transport position.
- C. Travel at safe speed when transporting.
- D. Reduce tractor ground speed when turning and leave enough clearance so accessory does not contact obstacles such as buildings, trees, or fences. Turning at high speeds can result in a roll over of the tractor.
- E. Transport the accessory low to the ground to help maintain vehicle stability and visibility as much as possible
- F. Keep away from electrical power lines
- G. Shift tractor to a lower gear when traveling over rough or hilly terrain.

Specifications

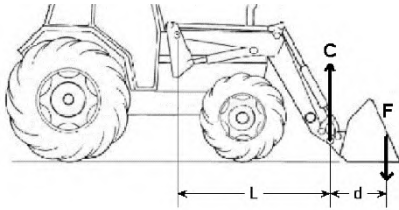
Specifications

Specifications		
Model number	700968-1-33V	700969-1-33V
Width	1676mm (66")	1829mm (72")
Height	1117mm (44") closed chute	1117mm (44") closed chute
Depth (from top angle bar location to front of snowblower)	1147mm (57")	1147mm (57")
Weight	667 lbs	702 lbs
Vehicle weight	4000 lbs max	4000 lbs max
Lift capacity at full height at pivot pin if installed on loader	1500 lbs min	1500 lbs min
See NOTE 1		

Note 1

For lift capacity at full height at pivot pin is installed on loader

If distance L is lower than 1016mm (40") contact us for calculation. The min lift capacity will be higher.



Part list and parts breakdown

Part list and parts breakdown

NOMENCLATURE ET LISTE DES PIÈCES / PARTS BREAKDOWN & PART LIST Souffleuse à Neige 66" pour VU "Vantage" #700968-1-33V Snowblower 66" for UV "Vantage" #700968-1-33V				
REF.	ENGLISH DESCRIPTION	DESCRIPTION FRANÇAISE	QTY.	PART#
1	66" snowblower assembly	Souffleuse assemblée 66"	1	501538
2	Chute assembly	Goulotte assemblée	1	501117
3	Battery support with wiring	Support pour batterie avec filage	1	700524-1
4	Rotation ring	Anneau de rotation	1	105429
5	Rotation ring	Anneau de rotation	1	109550
6	Control box assembly	Boîte de contrôle assemblé	1	106564
7	Wire control box extension	Extension du fil de la boîte de contrôle	1	105400
8	Hardware Bag	Sac de Quincaillerie	1	110173
8.1	Retaining plate	Plaque de retenue	1	105488
8.2	Spacer	Espaceur	4	103361
8.3	Box support	Support de la boîte	1	104756
8.4	Hex. bolt 1/4" n.c. x 1/2" GR5	Boulon hex. 1/4" n.c. x 1/2" GR5	4	O/L (300NC.5P_1-4x1-2)
8.5	Hex. bolt 1/4" n.c. x 1" GR5 FULLY THREADED	Boulon hex. 1/4" n.c. x 1" GR5 FILETÉ COMPLET	4	O/L (300NC.5P_1-4x1)
8.6	Flange nut 1/4" n.c.	Écrou à bride 1/4" n.c.	2	O/L (334NC.P_1-4)
8.7	Nylon Insert lock Nut 1/2" n.c.	Écrou à garniture de nylon 1/2" n.c.	6	O/L (335NC.P_1-2)
8.8	Nylon insert lock nut 1/4" n.c. (thin)	Écrou à garniture de nylon 1/4" n.c. (mince)	6	O/L (336NC.P_1-4)
8.9	Tie wrap 8" (black), 50lbs, Weather & UV-Resistant nylon 6.6	Attache de nylon 8" (noir) ,50lbs, Weather & UV-Resistant nylon 6.6	3	O/L (426-8)
9	Berco decal	Décalque Berco	1	103785
10	Specifications decal	Décalque spécifications	1	REF.
11	Serial number	Numéro de série	1	REF.
12	Made in Canada decal	Décalque Fabriqué au Canada	1	REF.
13	EPA decal	Décalque EPA	1	REF.

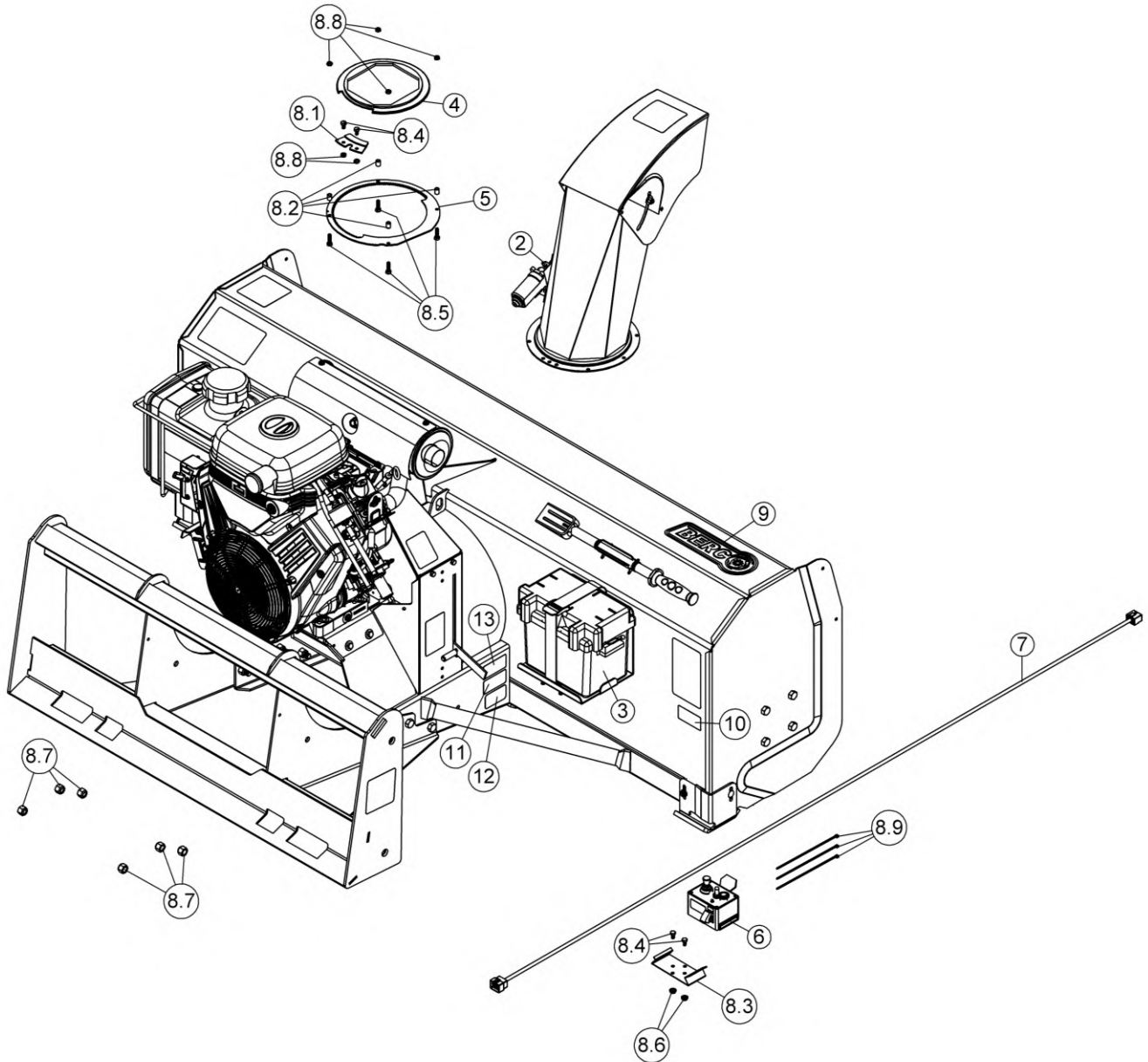
O/L = Obtain Locally / Obtenir localement

Part numbers starting with **500XXX** are not available for sale, however, separate parts are available for sale individually.

Les numéros **500xxx** ne sont pas disponibles pour la vente. Au besoin, veuillez commander les numéros de pièces séparément.

Part list and parts breakdown

NOMENCLATURE ET LISTE DES PIÈCES / PARTS BREAKDOWN & PART LIST
Souffleuse à Neige 72" pour VU "Vantage" #700969-1-33V
Snowblower 72" for UV "Vantage" #700969-1-33V



Part list and parts breakdown

NOMENCLATURE ET LISTE DES PIÈCES / PARTS BREAKDOWN & PART LIST Souffleuse à Neige 72" pour VU "Vantage" #700969-1-33V Snowblower 72" for UV "Vantage" #700969-1-33V				
REF.	ENGLISH DESCRIPTION	DESCRIPTION FRANÇAISE	QTY.	PART#
1	72" snowblower assembly	Souffleuse assemblée 72"	1	
2	Chute assembly	Goulotte assemblée	1	501117
3	Battery support with wiring	Support pour batterie avec filage	1	700524-1
4	Rotation ring	Anneau de rotation	1	105429
5	Rotation ring	Anneau de rotation	1	109550
6	Control box assembly	Boîte de contrôle assemblé	1	106564
7	Wire control box extension	Extension du fil de la boîte de contrôle	1	105400
8	Hardware Bag	Sac de quincaillerie	1	110173
8.1	Retaining plate	Plaque de retenue	1	105488
8.2	Spacer	Espaceur	4	103361
8.3	Box support	Support de la boîte	1	104756
8.4	Hex. bolt 1/4" n.c. x 1/2" GR5	Boulon hex. 1/4" n.c. x 1/2" GR5	4	O/L (300NC.5P_1-4x1-2)
8.5	Hex. bolt 1/4" n.c. x 1" GR5 FULLY THREADED	Boulon hex. 1/4" n.c. x 1" GR5 FILETÉ COMPLET	4	O/L (300NC.5P_1-4x1)
8.6	Flange nut 1/4" n.c.	Écrou à bride 1/4" n.c.	2	O/L (334NC.P_1-4)
8.7	Nylon Insert lock Nut 1/2" n.c.	Écrou à garniture de nylon 1/2" n.c.	6	O/L (335NC.P_1-2)
8.8	Nylon insert lock nut 1/4" n.c. (thin)	Écrou à garniture de nylon 1/4" n.c. (mince)	6	O/L (336NC.P_1-4)
8.9	Tie wrap 8" (black), 50lbs, Weather & UV-Resistant nylon 6.6	Attache de nylon 8" (noir) ,50lbs, Weather & UV-Resistant nylon 6.6	3	O/L (426-8)
9	Berco decal	Décalque Berco	1	103785
10	Specifications decal	Décalque spécifications	1	REF.
11	Serial number	Numéro de série	1	REF.
12	Made in Canada decal	Décalque Fabriqué au Canada	1	REF.
13	EPA decal	Décalque EPA	1	REF.

O/L = Obtain Locally / Obtenir localement

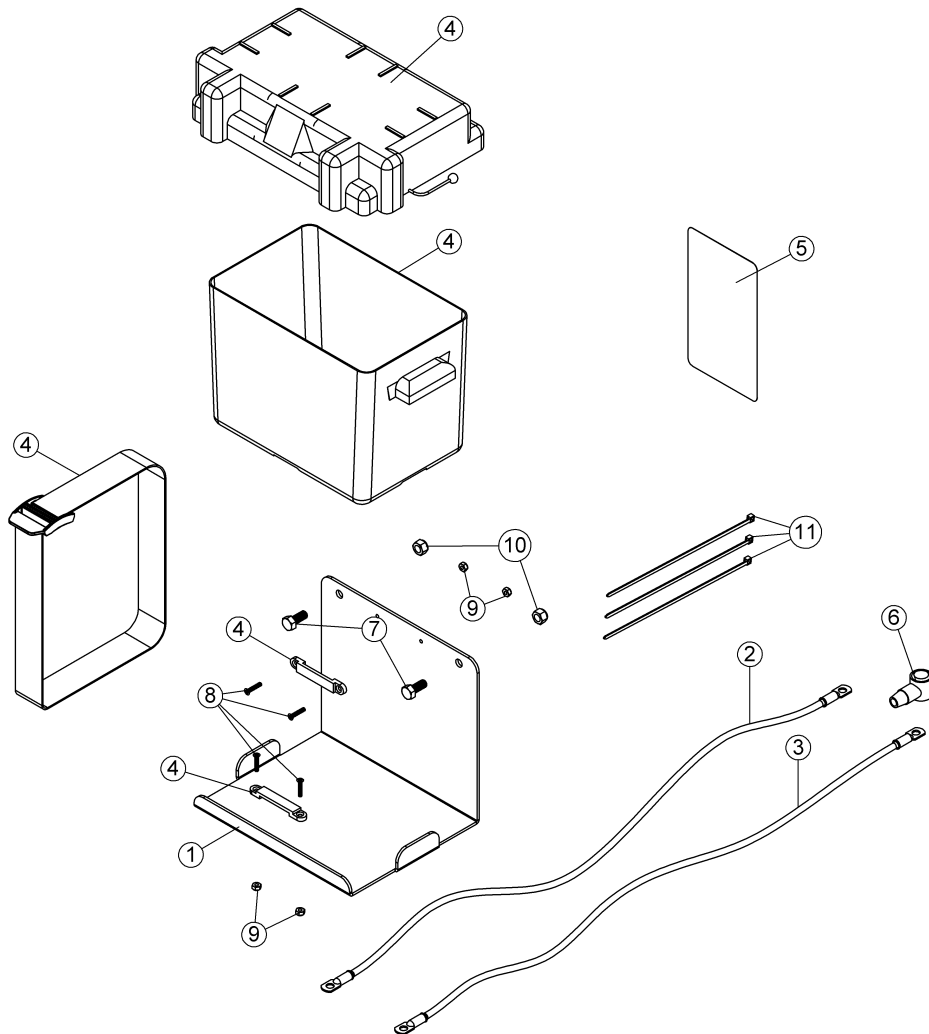
Part numbers starting with **500xxx** are not available for sale, however, separate parts are available for sale individually.

Les numéros **500xxx** ne sont pas disponibles pour la vente. Au besoin, veuillez commander les numéros de pièces séparément.

Part list and parts breakdown

Support pour batterie avec filage #700524-1 Battery support with wiring #700524-1

REF.	ENGLISH DESCRIPTION	DESCRIPTION FRANÇAISE	QTY.	PART#
1	Battery support	Support de batterie	1	105415
2	Battery wire	Fil de la batterie	1	105417
3	Battery wire	Fil de la batterie	1	105418
4	Battery box	Boîte de batterie	1	105416
5	Decal read instructions	Decalque lire instructions	1	105130
6	Rubber tab insulator	Isolant de caoutchouc	1	106804
7	Hex. bolt 5/16" n.c. x 3/4" GR5	Boulon hex. 5/16" n.c. x 3/4" GR5	2	O/L
8	Machine screw flat head no.6 x 32 x 3/4	Vis mécanique à tête plate no.6 x 32 x 3/4	4	O/L
9	Nylon Insert lock Nut #6x32 n.c.	Écrou à garniture de nylon #6x32 n.c.	4	O/L
10	Nylon Insert lock Nut 5/16" n.c. GR5	Écrou à garniture de nylon 5/16" n.c. GR5	2	O/L
11	Tie wrap 8" (black), 50lbs, Weather & UV-Resistant nylon 6.6	Attache de nylon 8" (noir) ,50lbs, Weather & UV-Resistant nylon 6.6	3	O/L



O/L = Obtain Locally / Obtenir localement

Part numbers starting with **500XXX** are not available for sale, however, separate parts are available for sale individually.
Les numéros **500xxx** ne sont pas disponibles pour la vente. Au besoin, veuillez commander les numéros de pièces séparément.

Part list and parts breakdown

NOMENCLATURE ET LISTE DES PIÈCES / PARTS BREAKDOWN & PART LIST				
Souffleuse assemblée 66" #501538				
66" snowblower assembly #501538				
REF.	ENGLISH DESCRIPTION	DESCRIPTION FRANÇAISE	QTY.	PART#
1	Frame 66" #109548 w/ saf. dec. & cut. edge	Châssis 66' #109548' a/ déc. de séc. & racloir	1	109546
1.1	Frame 66"	Châssis 66"	1	109548
1.2	Cutting edge 66"	Racloir 66"	1	105478
1.3	Carriage bolt 5/16" n.c. x 3/4 " GR5	Boulon à carrosserie 5/16" n.c. x 3/4 " GR5	7	O/L (320NC.5N_5-16x3-4)
1.4	Stover lock nut 5/16" n.c.	Écrou de blocage 5/16" n.c.	7	O/L (338NC.N_5-16)
1.5	Decal danger auger	Decalque danger vis	1	105126
1.6	Decal warning safety	Decalque avertissement sécurité	1	105131
1.7	Decal read instructions	Decalque lire instructions	1	105130
1.8	Decal auger positioning	Décalque positionnement vis	1	107024
1.9	Decal Warning / Spring under tension	Decalque Avertissement / Ressort sous tension	1	109609
2	Auger assembly	Vis assemblées	1	501118
3	Gas Tank Assembly	Réservoir à essence Assemblé	1	501541
4	Bearing with set screw	Roulement à billes avec vis à pression	1	106371
5	Tensioner assembly	Tensionneur assemblé	1	501542
6	V pulley with set screw	Poulie en V avec vis pression	2	106568
7	Key 1/4" x 1/4" x 2.88"	Clé 1/4" x 1/4" x 2.88"	1	104436
8	Flangette	Flangette	2	106704
9	Right skid shoe	Patin droit	1	105486
10	Chute shovel support	Support de pelle à goulotte	1	105701
11	Chute shovel	Pelle à goulotte	1	105700
12	Lever	Levier	1	106264
13	Nylon flat washer 7/16"	Rondelle plate de nylon 7/16"	2	102011
14	Reinforcement	Renfort	1	105484
15	Left skid shoe	Patin gauche	1	105487
16	Pin	Goupille	1	105365
17	Spring	Ressort	1	102592
18	Hair pin 2mm	Goupille à ressort 2mm	1	102430
19	Sleeve	Douille	1	103028
20	Gear box support	Support de boîte d'engrenages	1	106706
21	Belt guard with safety decal	Garde-courroie avec décalque de sécurité	1	106702
21.1	Belt Guard	Garde Courroie	1	106270
21.2	Decal danger belts	Decalque danger courroies	1	105128
22	Gasket	Joint d'étanchéité	1	108877
23	Electric motor	Moteur électrique	1	106147
24	Pair of V-belts, BX-54	Paire de courroie en V, BX-54	1	106343
25	Barb adapter 1/4" x 3/16"	Adaptateur à barbillon 1/4" x 3/16"	1	107319

O/L = Obtain Locally / Obtenir localement

Part numbers starting with **500XXX** are not available for sale, however, separate parts are available for sale individually.
Les numéros **500xxx** ne sont pas disponibles pour la vente. Au besoin, veuillez commander les numéros de pièces séparément.

Part list and parts breakdown

NOMENCLATURE ET LISTE DES PIÈCES / PARTS BREAKDOWN & PART LIST				
Souffleuse assemblée 66" #501538				
66" snowblower assembly #501538				
REF.	ENGLISH DESCRIPTION	DESCRIPTION FRANÇAISE	QTY.	PART#
26	Hex. bolt 1/4" n.c. x 1/2" GR5	Boulon hex. 1/4" n.c. x 1/2" GR5	3	O/L (300NC.5P_1-4x1-2)
27	Hex. bolt 1/4" n.c. x 1 1/4" GR5	Boulon hex. 1/4" n.c. x 1 1/4" GR5	3	O/L (300NC.5P_1-4x1-1-4)
28	Hex. bolt 1/2" n.c. x 1 1/4" GR5	Boulon hex. 1/2" n.c. x 1 1/4" GR5	2	O/L (300NC.5P_1-2x1-1-4)
29	Hex. bolt 1/2" n.c. x 1 1/2" GR5	Boulon hex. 1/2" n.c. x 1 1/2" GR5	14	O/L (300NC.5P_1-2x1-1-2)
30	Carriage bolt 1/4" n.c. x 5/8 " GR5	Boulon à carrosserie 1/4" n.c. x 5/8 " GR5	2	O/L (320NC.5P_1-4x5-8)
31	Carriage bolt 5/16" n.c. x 3/4 " GR5	Boulon à carrosserie 5/16" n.c. x 3/4 " GR5	4	O/L (320NC.5P_5-16x3-4)
32	Carriage bolt 3/8" n.c. x 1 " GR5	Boulon à carrosserie 3/8" n.c. x 1 " GR5	2	O/L (320NC.5P_3-8x1)
33	Carriage bolt 3/8" n.c. x 2 " GR5	Boulon à carrosserie 3/8" n.c. x 2 " GR5	1	O/L (320NC.5P_3-8x2)
34	Flange nut 1/4" n.c.	Écrou à bride 1/4" n.c.	2	O/L (334NC.P_1-4)
35	Flange nut 5/16" n.c.	Écrou à bride 5/16" n.c.	4	O/L (334NC.P_5-16)
36	Nylon Insert Lock Nut 3/8" n.c.	Écrou à garniture de nylon 3/8" n.c.	2	O/L (335NC.P_3-8)
37	Nylon Insert lock Nut 1/2" n.c.	Écrou à garniture de nylon 1/2" n.c.	16	O/L (335NC.P_1-2)
38	Nylon insert lock nut 1/4" n.c. (thin)	Écrou à garniture de nylon 1/4" n.c. (mince)	3	O/L (336NC.P_1-4)
39	Nylon insert lock nut 3/8" n.c. (thin)	Écrou à garniture de nylon 3/8" n.c. (mince)	1	O/L (336NC.P_3-8)
40	Flat washer 5/16" hole	Rondelle plate 5/16" trou	1	O/L (360.P_5-16T)
41	Flat washer 7/16" hole	Rondelle plate 7/16" trou	2	O/L (360.P_7-16T)
42	Lock washer 1/4"	Rondelle de blocage 1/4"	3	O/L (362.P_1-4)
43	Socket Head Cap Screw M5 x 0.80 x 10	Vis six PC tête ronde M5 x 0.80 x 10	2	O/L (412.Z_M5x0.80x10)
44	Tie wrap 8" (black), 50lbs, Weather & UV-Resistant nylon 6.6	Attache de nylon 8" (noir) ,50lbs, Weather & UV-Resistant nylon 6.6	15	O/L (426-8)
45	Engine 33V vantage assembly	Moteur 33V assemblé pour vantage	1	501540
46	Support de moteur	Engine mount	1	110168
47	Quick attach frame #110109 w/ safety decals	Châssis de l'attache rapide #110109 a/ déc. de séc.	1	110170
47.1	Quick attach frame	Châssis de l'attache rapide	1	110109
47.2	Decal Danger	Decalque Danger	2	109032
48	Protective plate	Plaque protectrice	1	110174
49	Hex. bolt 5/16" n.c. x 1" GR5	Boulon hex. 5/16" n.c. x 1" GR5	4	O/L (300NC.5P_5-16x1)
50	Hex. bolt 5/16" n.c. x 2 1/4" GR5	Boulon hex. 5/16" n.c. x 2 1/4" GR5	4	O/L (300NC.5P_5-16x2-1-4)
51	Carriage bolt 1/4" n.c. x 3/4 " GR5	Boulon à carrosserie 1/4" n.c. x 3/4" GR5	2	O/L (320NC.5P_1-4x3-4)
52	Nylon Insert lock Nut 1/4" n.c.	Écrou à garniture de nylon 1/4" n.c.	2	O/L (335NC.P_1-4)
53	Nylon Insert lock Nut 5/16" n.c. GR5	Écrou à garniture de nylon 5/16" n.c. GR5	8	O/L (335NC.P_5-16)
54	Flat washer 3/8" hole	Rondelle plate 3/8" trou	8	O/L (360.P_3-8T)

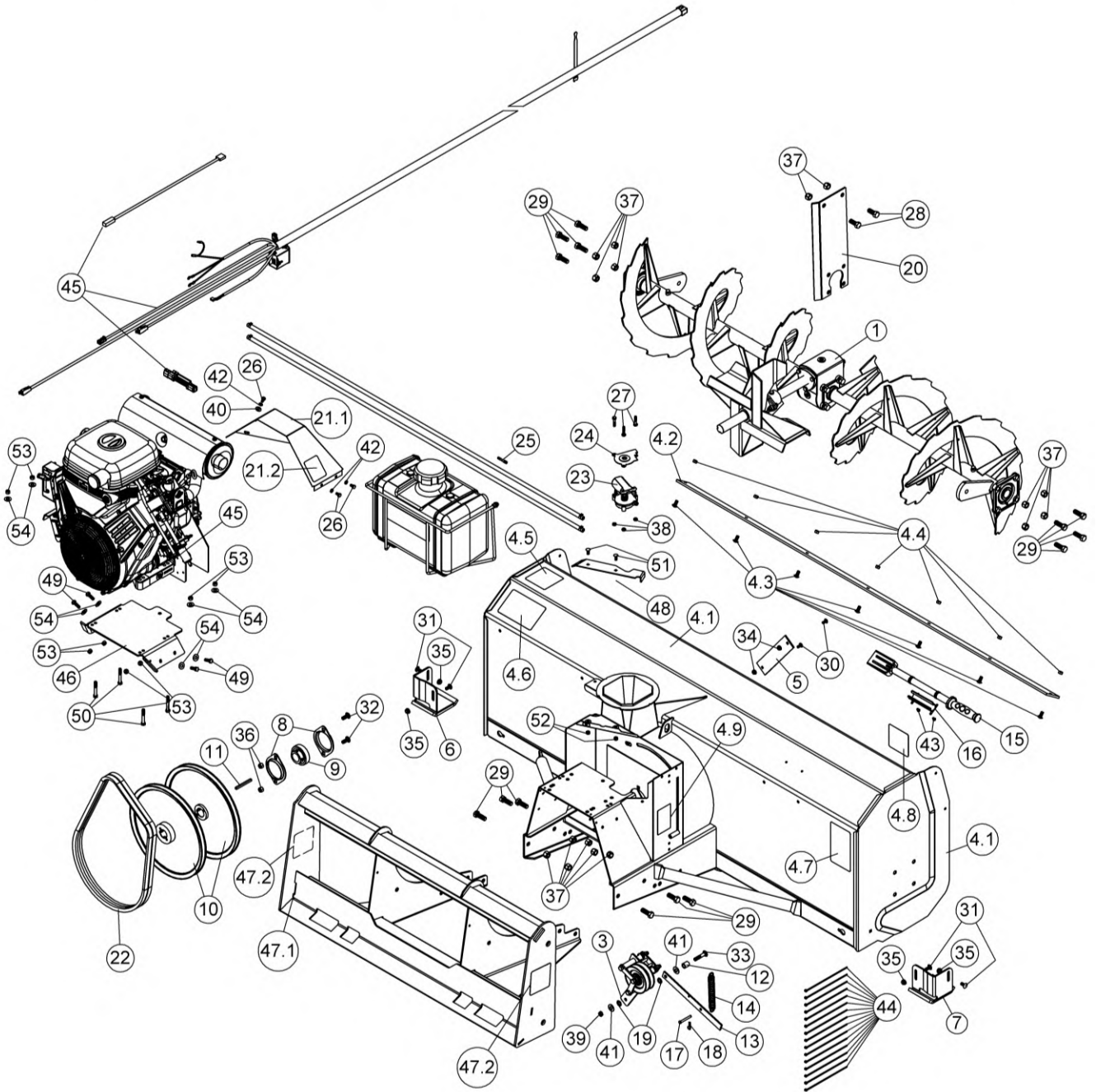
O/L = Obtain Locally / Obtenir localement

Part numbers starting with **500XXX** are not available for sale, however, separate parts are available for sale individually.

Les numéros **500xxx** ne sont pas disponibles pour la vente. Au besoin, veuillez commander les numéros de pièces séparément.

Part list and parts breakdown

NOMENCLATURE ET LISTE DES PIÈCES / PARTS BREAKDOWN & PART LIST
Souffleuse assemblée 72" #501539
72" snowblower assembly #501539



Part list and parts breakdown

NOMENCLATURE ET LISTE DES PIÈCES / PARTS BREAKDOWN & PART LIST				
Souffleuse assemblée 72" #501539				
72" snowblower assembly #501539				
REF.	ENGLISH DESCRIPTION	DESCRIPTION FRANÇAISE	QTY.	PART#
1	Auger Assembly	Vis Assemblées	1	501126
2	Gas Tank Assembly	Réservoir à essence Assemblé	1	501541
3	Tensioner assembly	Tensionneur assemblé	1	501542
4	Frame 72" #109549 w/ saf. dec. & cut. edge	Châssis 72' #109549' a/ déc. de séc. & racloir	1	109547
4.1	Frame 72"	Châssis 72"	1	109549
4.2	Cutting edge 72"	Racloir 72"	1	105479
4.3	Carriage bolt 5/16" n.c. x 3/4 " GR5	Boulon à carrosserie 5/16" n.c. x 3/4 " GR5	7	O/L (320NC.5N_5-16x3-4)
4.4	Stover lock nut 5/16" n.c.	Écrou de blocage 5/16" n.c.	7	O/L (338NC.N_5-16)
4.5	Decal danger auger	Decalque danger vis	1	105126
4.6	Decal warning safety	Decalque avertissement sécurité	1	105131
4.7	Decal read instructions	Decalque lire instructions	1	105130
4.8	Decal auger positioning	Décalque positionnement vis	1	107024
4.9	Decal Warning / Spring under tension	Decalque Avertissement / Ressort sous tension	1	109609
5	Reinforcement	Renfort	1	105484
6	Left skid shoe	Patin gauche	1	105487
7	Right skid shoe	Patin droit	1	105486
8	Flangette	Flangette	2	106704
9	Bearing with set screw	Roulement à billes avec vis à pression	1	106371
10	V pulley with set screw	Poulie en V avec vis pression	2	106568
11	Key 1/4" x 1/4" x 2.88"	Clé 1/4" x 1/4" x 2.88"	1	104436
12	Sleeve	Douille	1	103028
13	Lever	Levier	1	106264
14	Spring	Ressort	1	102592
15	Chute shovel	Pelle à goulotte	1	105700
16	Chute shovel support	Support de pelle à goulotte	1	105701
17	Pin	Goupille	1	105365
18	Hair pin 2mm	Goupille à ressort 2mm	1	102430
19	Nylon flat washer 7/16"	Rondelle plate de nylon 7/16"	2	102011
20	Gear box support	Support de boîte d'engrenages	1	106706
21	Belt guard with safety decal	Garde-courroie avec décalque de sécurité	1	106702
21.1	Belt Guard	Garde Courroie	1	106270
21.2	Decal danger belts	Decalque danger courroies	1	105128
22	Pair of V-belts, BX-54	Paire de courroie en V, BX-54	1	106343
23	Electric motor	Moteur électrique	1	106147
24	Gasket	Joint d'étanchéité	1	108877
25	Barb adapter 1/4" x 3/16"	Adaptateur à barbillon 1/4" x 3/16"	1	107319

O/L = Obtain Locally / Obtenir localement

Part numbers starting with **500XXX** are not available for sale, however, separate parts are available for sale individually.

Les numéros **500xxx** ne sont pas disponibles pour la vente. Au besoin, veuillez commander les numéros de pièces séparément.

Part list and parts breakdown

NOMENCLATURE ET LISTE DES PIÈCES / PARTS BREAKDOWN & PART LIST Souffleuse assemblée 72" #501539 72" snowblower assembly #501539				
REF.	ENGLISH DESCRIPTION	DESCRIPTION FRANÇAISE	QTY.	PART#
26	Hex. bolt 1/4" n.c. x 1/2" GR5	Boulon hex. 1/4" n.c. x 1/2" GR5	3	O/L (300NC.5P_1-4x1-2)
27	Hex. bolt 1/4" n.c. x 1 1/4" GR5	Boulon hex. 1/4" n.c. x 1 1/4" GR5	3	O/L (300NC.5P_1-4x1-1-4)
28	Hex. bolt 1/2" n.c. x 1 1/4" GR5	Boulon hex. 1/2" n.c. x 1 1/4" GR5	2	O/L (300NC.5P_1-2x1-1-4)
29	Hex. bolt 1/2" n.c. x 1 1/2" GR5	Boulon hex. 1/2" n.c. x 1 1/2" GR5	14	O/L (300NC.5P_1-2x1-1-2)
30	Carriage bolt 1/4" n.c. x 5/8 " GR5	Boulon à carrosserie 1/4" n.c. x 5/8 " GR5	2	O/L (320NC.5P_1-4x5-8)
31	Carriage bolt 5/16" n.c. x 3/4 " GR5	Boulon à carrosserie 5/16" n.c. x 3/4 " GR5	4	O/L (320NC.5P_5-16x3-4)
32	Carriage bolt 3/8" n.c. x 1 " GR5	Boulon à carrosserie 3/8" n.c. x 1 " GR5	2	O/L (320NC.5P_3-8x1)
33	Carriage bolt 3/8" n.c. x 2 " GR5	Boulon à carrosserie 3/8" n.c. x 2 " GR5	1	O/L (320NC.5P_3-8x2)
34	Flange nut 1/4" n.c.	Écrou à bride 1/4" n.c.	2	O/L (334NC.P_1-4)
35	Flange nut 5/16" n.c.	Écrou à bride 5/16" n.c.	4	O/L (334NC.P_5-16)
36	Nylon Insert Lock Nut 3/8" n.c.	Écrou à garniture de nylon 3/8" n.c.	2	O/L (335NC.P_3-8)
37	Nylon Insert lock Nut 1/2" n.c.	Écrou à garniture de nylon 1/2" n.c.	16	O/L (335NC.P_1-2)
38	Nylon insert lock nut 1/4" n.c. (thin)	Écrou à garniture de nylon 1/4" n.c. (mince)	3	O/L (336NC.P_1-4)
39	Nylon insert lock nut 3/8" n.c. (thin)	Écrou à garniture de nylon 3/8" n.c. (mince)	1	O/L (336NC.P_3-8)
40	Flat washer 5/16" hole	Rondelle plate 5/16" trou	3	O/L (360.P_5-16T)
41	Flat washer 7/16" hole	Rondelle plate 7/16" trou	2	O/L (360.P_7-16T)
42	Lock washer 1/4"	Rondelle de blocage 1/4"	3	O/L (362.P_1-4)
43	Socket Head Cap Screw M5 x 0.80 x 10	Vis six PC tête ronde M5 x 0.80 x 10	2	O/L (412.Z_M5x0.80x10)
44	Tie wrap 8" (black), 50lbs, Weather & UV-Resistant nylon 6.6	Attache de nylon 8" (noir) ,50lbs, Weather & UV-Resistant nylon 6.6	15	O/L (426-8)
45	Engine 33V vantage assembly	Moteur 33V assemblé pour vantage	1	501540
46	Support de moteur	Engine mount	1	110168
47	Quick attach frame #110109 w/ safety decals	Châssis de l'attache rapide #110109 a/ déc. de séc.	1	110170
47.1	Grapple frame	Châssis du grappin	1	110109
47.2	Decal Danger	Decalque Danger	2	109032
48	Protective plate	Plaque protectrice	1	110174
49	Hex. bolt 5/16" n.c. x 1" GR5	Boulon hex. 5/16" n.c. x 1" GR5	4	O/L (300NC.5P_5-16x1)
50	Hex. bolt 5/16" n.c. x 2 1/4" GR5	Boulon hex. 5/16" n.c. x 2 1/4" GR5	4	O/L (300NC.5P_5-16x2-1-4)
51	Carriage bolt 1/4" n.c. x 3/4 " GR5	Boulon à carrosserie 1/4" n.c. x 3/4" GR5	2	O/L (320NC.5P_1-4x3-4)
52	Nylon Insert lock Nut 1/4" n.c.	Écrou à garniture de nylon 1/4" n.c.	2	O/L (335NC.P_1-4)
53	Nylon Insert lock Nut 5/16" n.c. GR5	Écrou à garniture de nylon 5/16" n.c. GR5	8	O/L (335NC.P_5-16)
54	Flat washer 3/8" hole	Rondelle plate 3/8" trou	8	O/L (360.P_3-8T)

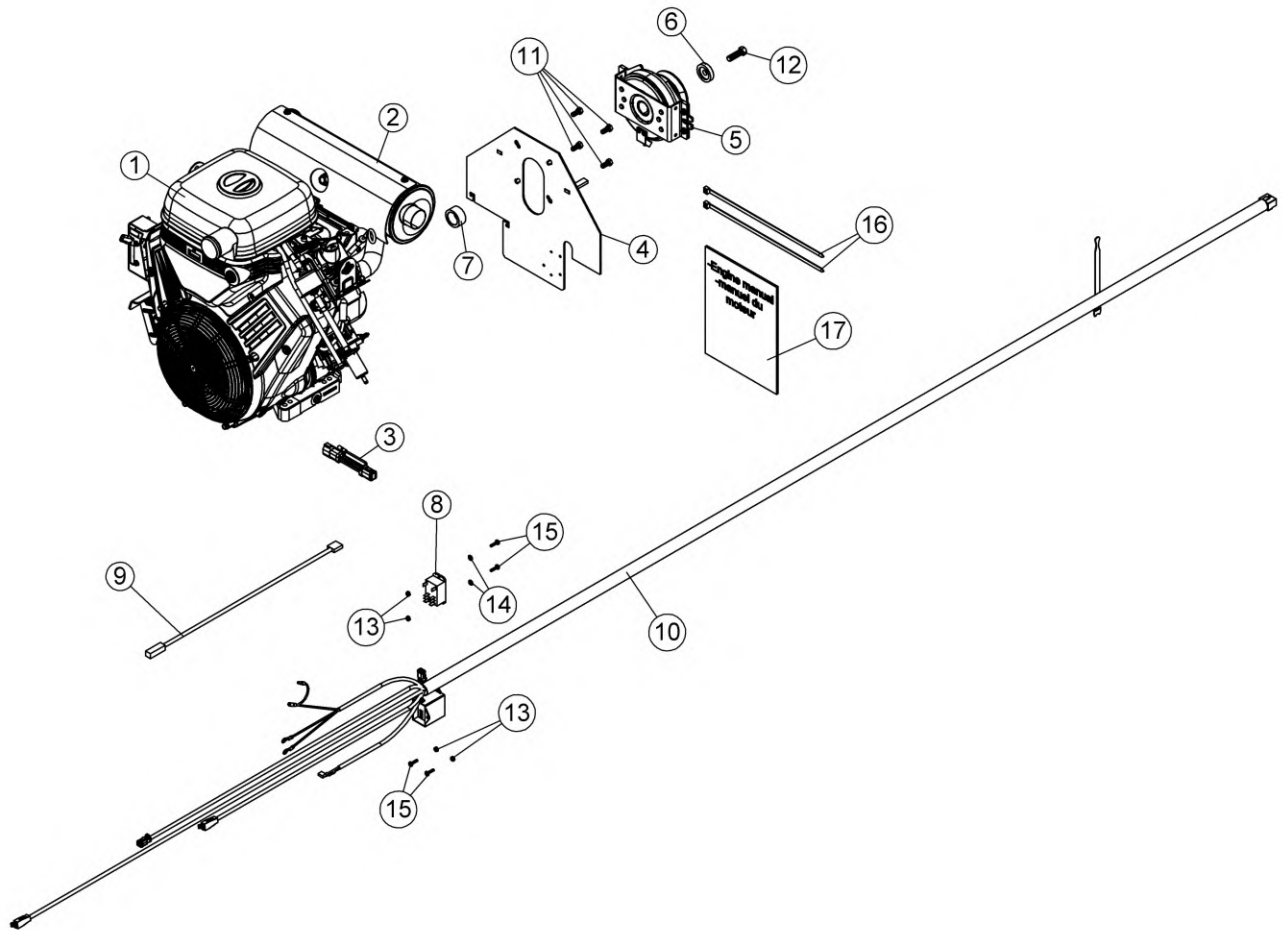
O/L = Obtain Locally / Obtenir localement

Part numbers starting with **500XXX** are not available for sale, however, separate parts are available for sale individually.

Les numéros **500xxx** ne sont pas disponibles pour la vente. Au besoin, veuillez commander les numéros de pièces séparément.

Part list and parts breakdown

NOMENCLATURE ET LISTE DES PIÈCES / PARTS BREAKDOWN & PART LIST
Moteur 33V assemblé pour vantage #501540
Engine 33V vantage assembly #501540



Part list and parts breakdown

NOMENCLATURE ET LISTE DES PIÈCES / PARTS BREAKDOWN & PART LIST Moteur 33V assemblé pour vantage #501540 Engine 33V vantage assembly #501540				
REF.	ENGLISH DESCRIPTION	DESCRIPTION FRANÇAISE	QTY.	PART#
1	Engine 33 hp EFI Briggs and Stratton	Moteur 33 cv EFI Briggs and Stratton	1	110075
2	Vanguard muffler	Silencieux Vanguard	1	110076
3	Wire Extension For E-Stop	Rallonge De Fil Pour Arrêt D'Urgence	1	110158
4	Guard	Garde	1	109532
5	Electric Clutch (Hole 1 1/8")	Embrayage électrique (Alésage 1 1/8")	1	109243
6	Flange washer	Rondelle à bride	1	109533
7	Spacer for 1 1/8 shaft	Espaceur pour arbre 1 1/8	1	109577
8	Relay	Relais	1	106123
9	Wire Assembly	Fil Assemblé	1	106548
10	Wire Assembly	Fil assemblé	1	106558
11	Hex. bolt 5/16" n.f. x 3/4" GR5	Boulon hex. 5/16" n.f. x 3/4" GR5	4	O/L (300NF.5P_5-16x3-4)
12	Hex. bolt 7/16" n.f. x 1 1/2" GR5	Boulon hex. 7/16" n.f. x 1 1/2" GR5	1	O/L (300NF.5P_7-16x11-2)
13	Nylon insert locknut #8 x 32 (thin) GR2	Écrou à garni. de nylon #8 x 32 (mince) GR2	4	O/L (336NC.P_#8x32)
14	Flat washer #10 hole	Rondelle plate #10 trou	2	O/L (360.P_#10T)
15	Machine screw Pan head no.8 x 32 x 3/4"	Vis mécanique tête pan no.8 x 32 x 3/4"	4	O/L (395NC.S_#8x32x3-4)
16	Tie wrap 14" (black), 120lbs, Weather & UV-Resistant nylon 6.6	Attache de nylon 14" (noir) ,120lbs, Weather & UV-Resistant nylon 6.6	2	O/L (426-14)
17	Engine manual	Manuel du moteur	1	-

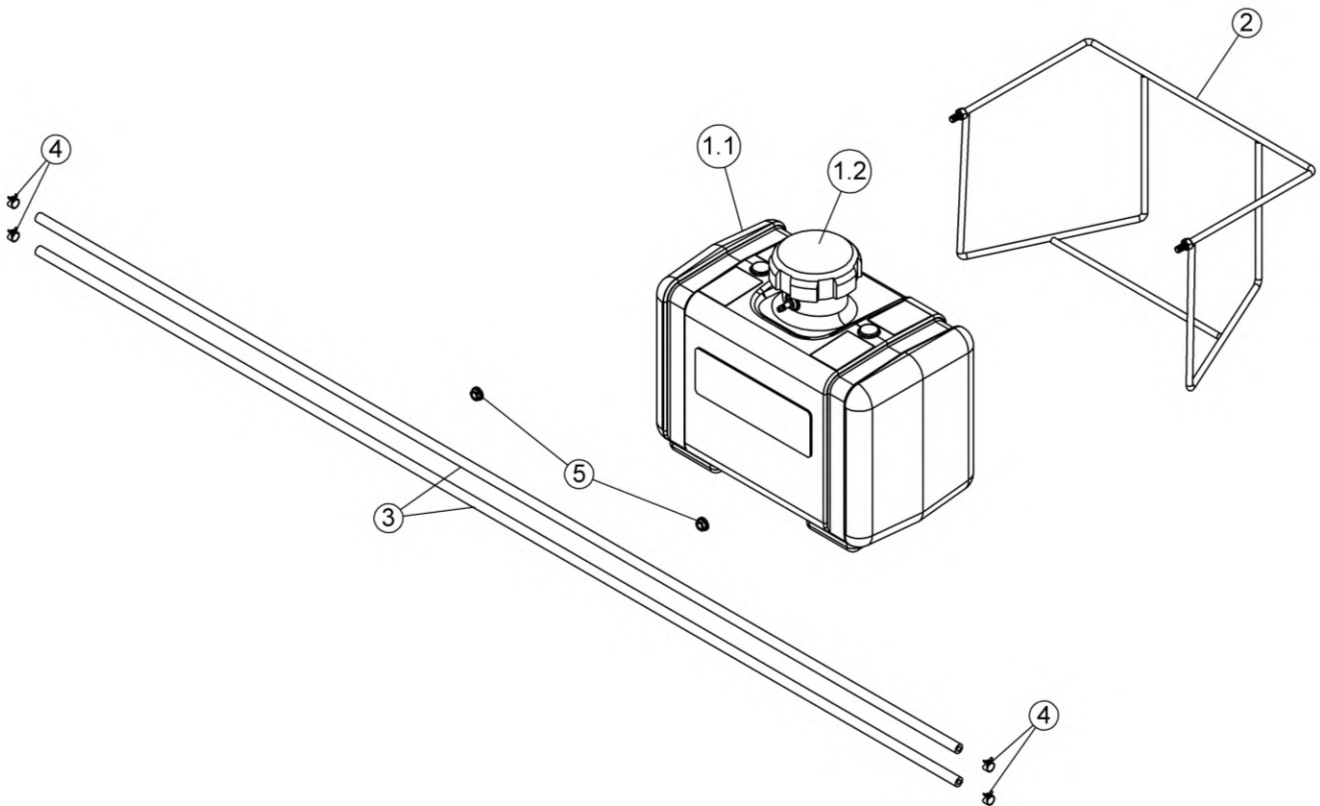
O/L = Obtain Locally / Obtenir localement

Part numbers starting with **500XXX** are not available for sale, however, separate parts are available for sale individually.

Les numéros **500xxx** ne sont pas disponibles pour la vente. Au besoin, veuillez commander les numéros de pièces séparément.

Part list and parts breakdown

NOMENCLATURE ET LISTE DES PIÈCES / PARTS BREAKDOWN & PART LIST				
Réservoir à essence Assemblé #501541				
Gas Tank Assembly #501541				
REF.	ENGLISH DESCRIPTION	DESCRIPTION FRANÇAISE	QTY.	PART#
1	5 Gallon EPA gasoline tank	Réservoir à essence 5 gallon EPA	1	107311
1.1	5 gallon EPA gasoline tank	Réservoir à essence 5 gallon EPA	1	107311
1.2	Gasoline tank cap	Bouchon de réservoir à essence	1	107312
2	Tank support	Support de réservoir	1	105528
3	Fuel hose EPA 1/4"	Tuyau à essence EPA 1/4"	2	110172
4	Spring action hose clamp for 1/2" hose	Collier de serrage à ressort pour tuyau 1/2"	4	107269
5	Flange nut 5/16" n.c.	Écrou à bride 5/16" n.c.	2	O/L (334NC.P_5-16)

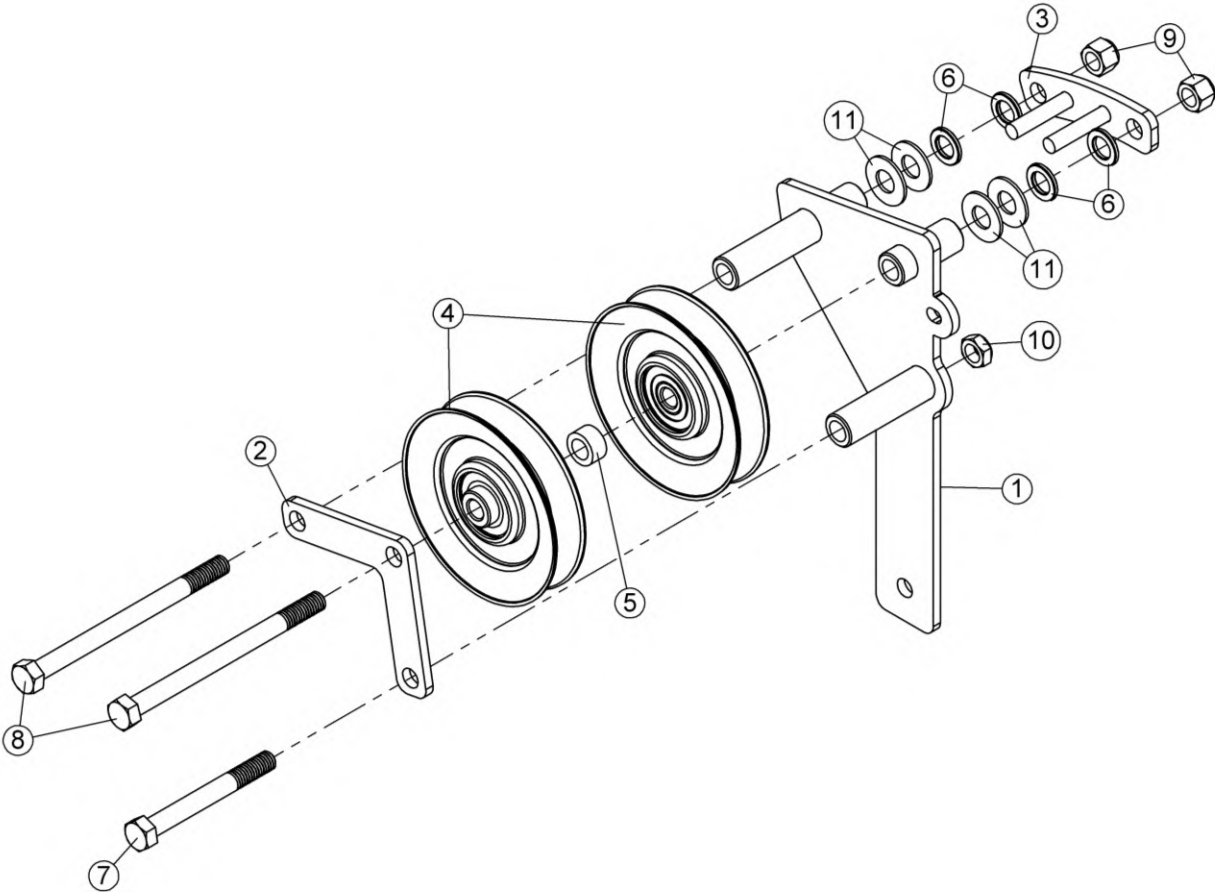


O/L = Obtain Locally / Obtenir localement

Part numbers starting with **500xxx** are not available for sale, however, separate parts are available for sale individually.
 Les numéros **500xxx** ne sont pas disponibles pour la vente. Au besoin, veuillez commander les numéros de pièces séparément.

Part list and parts breakdown

NOMENCLATURE ET LISTE DES PIÈCES / PARTS BREAKDOWN & PART LIST
Tensionneur assemblé #501542
Tensioner assembly #501542



Part list and parts breakdown

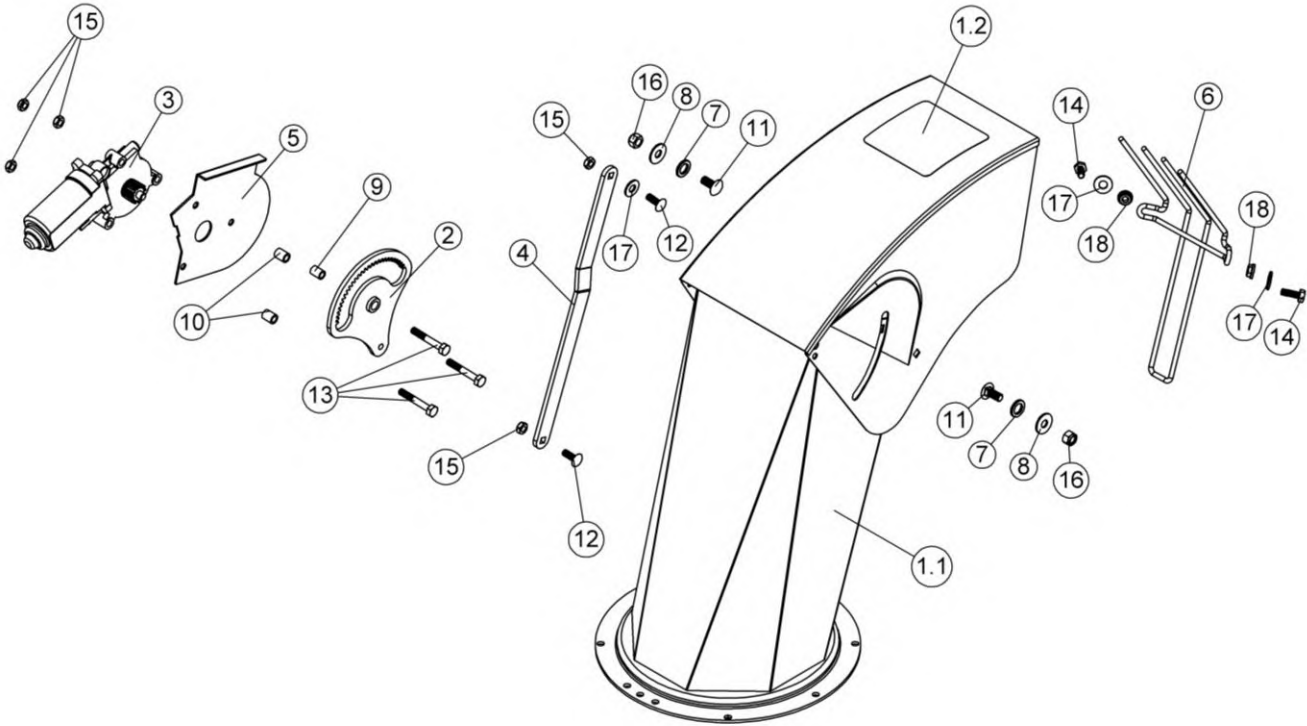
NOMENCLATURE ET LISTE DES PIÈCES / PARTS BREAKDOWN & PART LIST Tensionneur assemblé #501542 Tensioner assembly #501542				
REF.	ENGLISH DESCRIPTION	DESCRIPTION FRANÇAISE	QTY.	PART#
1	Bender	Tendeur	1	106701
2	Retaining Plate	Plaque de retenue	1	106258
3	Spacer	Espacer	1	106265
4	V-Pulley	Poulie en V	2	102766
5	Sleeve	Douille	1	106260
6	Nylon flat washer 7/16"	Rondelle plate de nylon 7/16"	4	102011
7	Hex. bolt 3/8" n.c. x 3 1/4" GR5	Boulon hex. 3/8" n.c. x 3 1/4" GR5	1	O/L (300NC.5P_3-8x3-1-4)
8	Hex. bolt 3/8" n.c. x 5" GR5	Boulon hex. 3/8" n.c. x 5" GR5	2	O/L (300NC.5P_3-8x5)
9	Nylon Insert Lock Nut 3/8" n.c.	Écrou à garniture de nylon 3/8" n.c.	2	O/L (335NC.P_3-8)
10	Nylon insert lock nut 3/8" n.c. (thin)	Écrou à garniture de nylon 3/8" n.c. (mince)	1	O/L (336NC.P_3-8)
11	Flat washer 7/16" hole	Rondelle plate 7/16" trou	4	O/L (360.P_7-16T)

O/L = Obtain Locally / Obtenir localement

Part numbers starting with **500XXX** are not available for sale, however, separate parts are available for sale individually.
 Les numéros **500xxx** ne sont pas disponibles pour la vente. Au besoin, veuillez commander les numéros de pièces séparément.

Part list and parts breakdown

NOMENCLATURE ET LISTE DES PIÈCES / PARTS BREAKDOWN & PART LIST
Goulotte assemblée #501117
Chute assembly #501117



Part list and parts breakdown

NOMENCLATURE ET LISTE DES PIÈCES / PARTS BREAKDOWN & PART LIST Goulotte assemblée #501117 Chute assembly #501117				
REF.	ENGLISH DESCRIPTION	DESCRIPTION FRANÇAISE	QTY.	PART#
1	Chute with safety decal	Goulotte avec decalque de sécurité	1	106707
1.1	Chute	Goulotte	1	106386
1.2	Danger decal chute	Décalque danger goulotte	1	105127
2	Lever	Levier	1	103365
3	Electric motor	Moteur électrique	1	106147
4	Arm	Bras	1	106385
5	Bracket	Support	1	105492
6	Hand guard	Fourche protectrice	1	105494
7	Nylon flat washer 7/16"	Rondelle plate de nylon 7/16"	2	102011
8	Nylon flat washer 11/32"	Rondelle plate de nylon 11/32"	2	102009
9	Oil lite bushing	Coussinet imprégné d'huile	1	103362
10	Spacer	Espaceur	2	103361
11	Carriage bolt 5/16" n.c. x 3/4 " GR5	Boulon à carrosserie 5/16" n.c. x 3/4 " GR5	2	O/L (320NC.5P_5-16x3-4)
12	Carriage bolt 1/4" n.c. x 3/4 " GR5	Boulon à carrosserie 1/4" n.c. x 3/4" GR5	2	O/L (320NC.5P_1-4x3-4)
13	Hex. bolt 1/4" n.c. x 1 3/4" GR5	Boulon hex. 1/4" n.c. x 1 3/4" GR5	3	O/L (300NC.5P_1-4x1-3-4)
14	Hex. bolt 1/4" n.c. x 3/4" GR5	Boulon hex. 1/4" n.c. x 3/4" GR5	2	O/L (300NC.5P_1-4x3-4)
15	Nylon insert lock nut 1/4" n.c. (thin)	Écrou à garniture de nylon 1/4" n.c. (mince)	5	O/L (336NC.P_1-4)
16	Nylon Insert lock Nut 5/16" n.c. GR5	Écrou à garniture de nylon 5/16" n.c. GR5	2	O/L (335NC.P_5-16)
17	Flat washer 5/16" hole	Rondelle plate 5/16" trou	3	O/L (360.P_5-16T)
18	Flange nut 1/4" n.c.	Écrou à bride 1/4" n.c.	2	O/L (334NC.P_1-4)

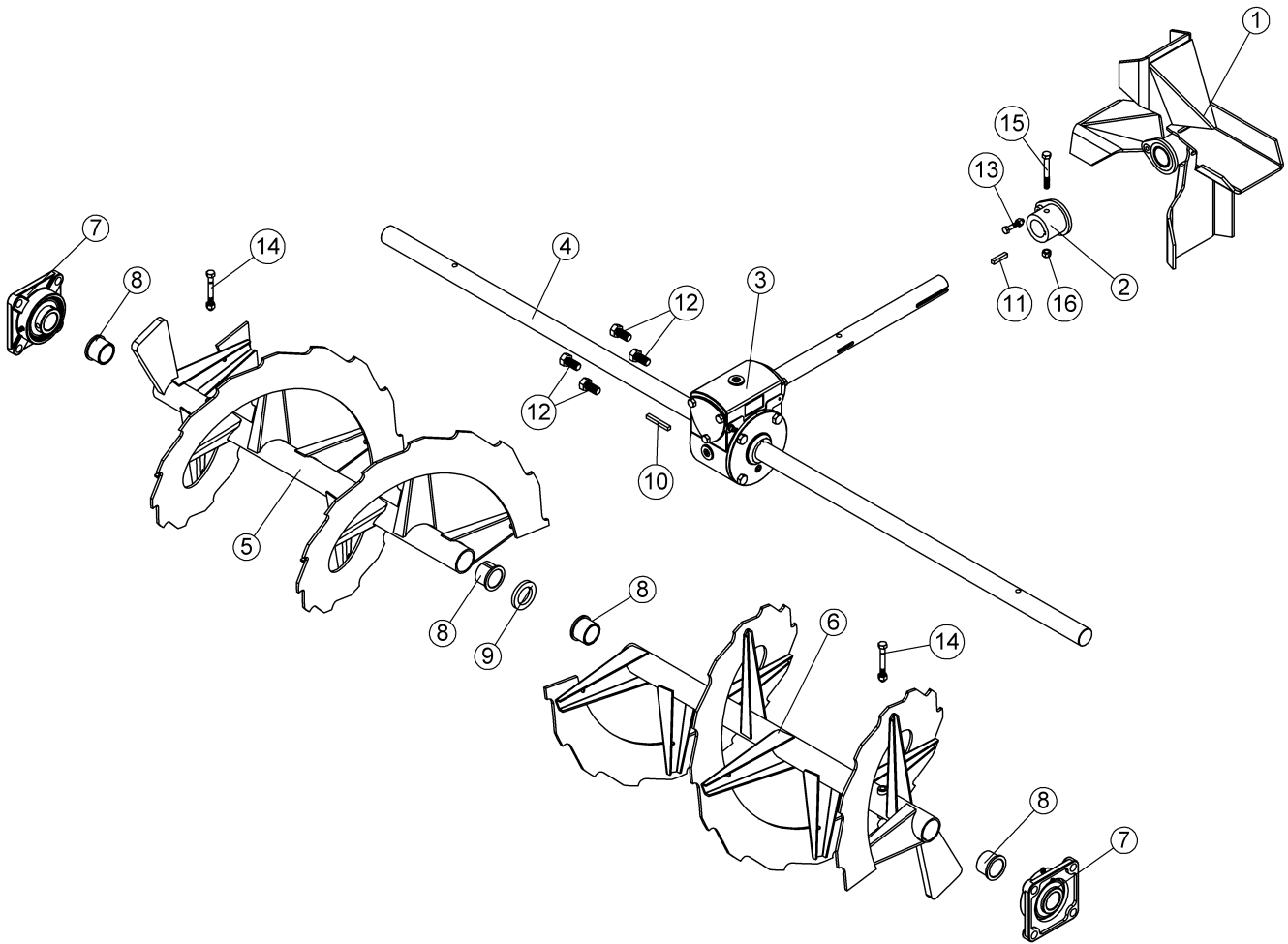
O/L = Obtain Locally / Obtenir localement

Part numbers starting with **500XXX** are not available for sale, however, separate parts are available for sale individually.

Les numéros **500xxx** ne sont pas disponibles pour la vente. Au besoin, veuillez commander les numéros de pièces séparément.

Part list and parts breakdown

NOMENCLATURE ET LISTE DES PIÈCES / PARTS BREAKDOWN & PART LIST
Vis assemblées #501118
Auger assembly #501118



Part list and parts breakdown

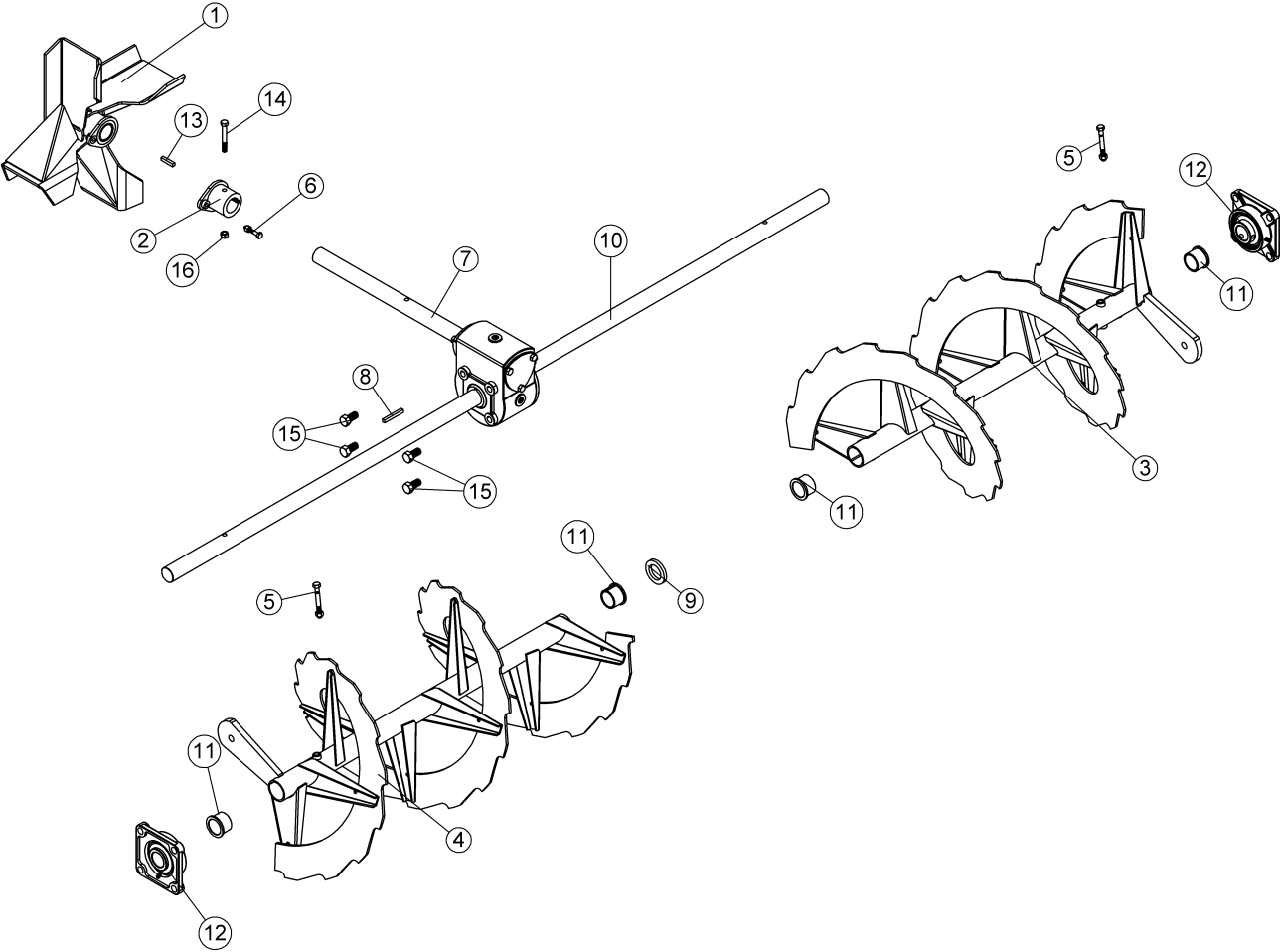
NOMENCLATURE ET LISTE DES PIÈCES / PARTS BREAKDOWN & PART LIST Vis assemblées #501118 Auger assembly #501118				
REF.	ENGLISH DESCRIPTION	DESCRIPTION FRANÇAISE	QTY.	PART#
1	Fan with bushing	Éventail avec coussinets	1	106700
2	Shear plate	Plaque de cisaillement	1	106705
3	Gear box left rotation	Boîte d'engrenage rotation gauche	1	106703
4	Shaft 66"	Arbre 66"	1	106339
5	Auger 66" right	Vis 66" droite	1	106331
6	Auger 66" left	Vis 66" gauche	1	106330
7	Flange Mounted Bearing	Roulement Appliqué	2	106150
8	Rotation bushing	Coussinet de rotation	4	106329
9	Shim	Espaceur	1	107991
10	Key 1/4" x 1/4" x 2"	Clé 1/4" x 1/4" x 2"	1	102922
11	Key 1/4" x 1/4" x 1 1/4"	Clé 1/4" x 1/4" x 1 1/4"	1	105399
12	Hex. bolt 1/2" n.c. x 1" GR5	Boulon hex. 1/2" n.c. x 1" GR5	4	O/L (300NC.5P_1-2x1)
13	Shear bolt / N.I.L.N. (fan) pkg-10	Boulon de séc. / É.G.N. (éven.) pqt-10	1	105627
14	Shear bolt / N.I.L.N. (auger) pkg-10	Boulon de séc. / É.G.N. (vis) pqt-10	2	106443
15	Hex. bolt 5/16" n.c. x 2 1/2" GR5	Boulon hex. 5/16" n.c. x 2 1/2" GR5	1	O/L (300NC.5P_5-16x2-1-2)
16	Nylon Insert lock Nut 5/16" n.c. GR5	Écrou à garniture de nylon 5/16" n.c. GR5	1	O/L (335NC.P_5-16)

O/L = Obtain Locally / Obtenir localement

Part numbers starting with **500XXX** are not available for sale, however, separate parts are available for sale individually.
 Les numéros **500xxx** ne sont pas disponibles pour la vente. Au besoin, veuillez commander les numéros de pièces séparément.

Part list and parts breakdown

NOMENCLATURE ET LISTE DES PIÈCES / PARTS BREAKDOWN & PART LIST
Vis Assemblées #501126
Auger Assembly #501126



Part list and parts breakdown

NOMENCLATURE ET LISTE DES PIÈCES / PARTS BREAKDOWN & PART LIST Vis Assemblées #501126 Auger Assembly #501126				
REF.	ENGLISH DESCRIPTION	DESCRIPTION FRANÇAISE	QTY.	PART#
1	Fan with bushing	Éventail avec coussinets	1	106700
2	Shear plate	Plaque de cisaillement	1	106705
3	Auger 72" left	Vis 72" gauche	1	106672
4	Auger 72" right	Vis 72" droite	1	106673
5	Shear bolt / N.I.L.N. (auger) pkg-10	Boulon de séc. / É.G.N. (vis) pqt-10	2	106443
6	Shear bolt / N.I.L.N. (fan) pkg-10	Boulon de séc./ É.G.N. (éven.) pqt-10	1	105627
7	Gear box left rotation	Boîte d'engrenage rotation gauche	1	106703
8	Key 1/4" x 1/4" x 2"	Clé 1/4" x 1/4" x 2"	1	102922
9	Shim	Espaceur	1	107991
10	Shaft 72"	Arbre 72"	1	106710
11	Rotation bushing	Coussinet de rotation	4	106329
12	Flange Mounted Bearing	Roulement Appliqué	2	106150
13	Key 1/4" x 1/4" x 1 1/4"	Clé 1/4" x 1/4" x 1 1/4"	1	105399
14	Hex. bolt 5/16" n.c. x 2 1/2" GR5	Boulon hex. 5/16" n.c. x 2 1/2" GR5	1	O/L (300NC.5P_5-16x2-1-2)
15	Hex. bolt 1/2" n.c. x 1" GR5	Boulon hex. 1/2" n.c. x 1" GR5	4	O/L (300NC.5P_1-2x1)
16	Nylon Insert lock Nut 5/16" n.c. GR5	Écrou à garniture de nylon 5/16" n.c. GR5	1	O/L (335NC.P_5-16)

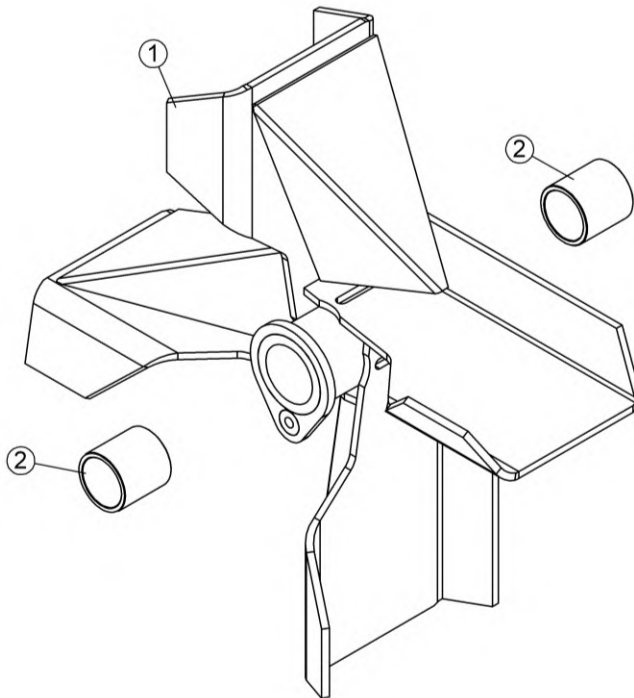
O/L = Obtain Locally / Obtenir localement

Part numbers starting with **500XXX** are not available for sale, however, separate parts are available for sale individually.

Les numéros **500xxx** ne sont pas disponibles pour la vente. Au besoin, veuillez commander les numéros de pièces séparément.

Part list and parts breakdown

NOMENCLATURE ET LISTE DES PIÈCES / PARTS BREAKDOWN & PART LIST				
Éventail avec coussinets #106700				
Fan with bushing #106700				
REF.	ENGLISH DESCRIPTION	DESCRIPTION FRANÇAISE		PART#
1	Fan	Éventail	1	106699
2	Oilite bushing	Coussinet imprégné d'huile	2	106382












O/L = Obtain Locally / Obtenir localement










Part numbers starting with **500XXX** are not available for sale, however, separate parts are available for sale individually.
Les numéros **500xxx** ne sont pas disponibles pour la vente. Au besoin, veuillez commander les numéros de pièces séparément.

Torque specification table

Torque specification table

- The following table shows the minimum torque requirement
- Maximum is 15% more than the minimum (example: min100 Nm -> max is 115Nm)
- If specific thread is not specified in the part list or manual, the bolt thread is coarse
- N m = Newton x meter
- Ft-lb = foot pounds
- If bolt is lubricated, divide the torque value by 1.33

IMPERIAL THREAD														
Nominal Thread Diameter	UNC							UNF						
	Thread / inch	Grade 2		Grade 5		Grade 8		Thread / inch	Grade 2		Grade 5		Grade 8	
														
N m	Ft-lb	N m	Ft-lb	N m	Ft-lb	N m	Ft-lb	N m	Ft-lb	N m	Ft-lb	N m	Ft-lb	
1/4"	20	7.4	5.6	11	8	16	12	28	8.5	6	13	10	18	14
5/16"	18	15	11	24	17	33	25	24	17	13	26	19	37	27
3/8"	16	27	20	42	31	59	44	24	31	22	47	35	67	49
7/16"	14	43	32	67	49	95	70	20	49	36	75	55	105	78
1/2"	13	66	49	105	76	145	105	20	75	55	115	85	165	120
9/16	12	95	70	150	110	210	155	18	105	79	165	120	235	170
5/8	11	130	97	205	150	285	210	18	150	110	230	170	325	240
3/4	10	235	170	360	265	510	375	16	260	190	405	295	570	420
7/8	9	225	165	585	430	820	605	14	250	185	640	475	905	670
1	8	340	250	875	645	1230	910	12	370	275	955	705	1350	995
1-1/8	7	480	355	1080	795	1750	1290	12	540	395	1210	890	1960	1440
1-1/4	7	680	500	1520	1120	2460	1820	12	750	555	1680	1240	2730	2010
1-3/8	6	890	655	1990	1470	3230	2380	12	1010	745	2270	1670	3680	2710

METRIC THREAD														
Nominal Thread Diameter	COARSE THREAD							FINE THREAD						
	Pitch (mm)	Class 5.8		Class 8.8		Class 10.9		Pitch (mm)	Class 5.8		Class 8.8		Class 10.9	
														
N m	Ft-lb	N m	Ft-lb	N m	Ft-lb	N m	Ft-lb	N m	Ft-lb	N m	Ft-lb	N m	Ft-lb	
M5	0.8	4	3	6	5	9	7	-	-	-	-	-	-	-
M6	1	7	5	11	8	15	11	-	-	-	-	-	-	-
M8	1.25	17	12	26	19	36	27	1	18	13	28	21	39	29
M10	1.5	33	24	52	39	72	53	0.75	39	29	61	45	85	62
M12	1.75	58	42	89	67	125	93	1.25	58	42	95	70	135	99
M14	2	92	68	145	105	200	150	1.5	99	73	155	115	215	160
M16	2	145	105	225	165	315	230	1.5	155	115	240	180	335	245
M18	2.5	195	145	310	230	405	300	1.5	220	165	350	260	485	355
M20	2.5	280	205	440	325	610	450	1.5	310	230	650	480	900	665
M24	3	480	355	760	560	1050	780	2	525	390	830	610	1150	845
M30	3.5	960	705	1510	1120	2100	1550	2	1060	785	1680	1240	2320	1710

LIMITED WARRANTY

Conditions and Products Covered:

BERCOMAC guarantees any part of the product or accessory manufactured by BERCOMAC and found in the reasonable judgment of BERCOMAC to be defective in material and or workmanship will be repaired or replaced by an authorized dealer without charge up to our maximum labor rates and pre-established times. For replacement parts only standard ground freight services are covered. This warranty extends to the original retail purchaser only and is not transferable to any subsequent purchasers. This warranty applies to the products bought and used in North America.

Warranty Period

(from date of the original retail purchase)

- Residential or semi-commercial use: 1 year
- Commercial, industrial or rental use: 90 days

Exceptions Noted Below; the following items are guaranteed by the original manufacturer and have their own warranty, conditions and limited time:

- Tire Chains:
 - 90 days residential or semi-commercial use
 - No warranty on other application
- Engines: Will vary as per the manufacturer
Please refer to the engine manufacturer's warranty statement included with the unit. BERCOMAC is not authorized to handle warranty adjustments on engines.

Items and Conditions NOT Covered:

This warranty does not cover the following:

- Pick-up or delivery charges or in-home services fees.
- Any damage or deterioration of the unit, parts and or finish of these due to normal use, wear and tear, or exposure.
- Cost of regular use or maintenance service or parts, such as gas, oil, lubricants, tune-up parts, and adjustments.
- Any part or accessory which has been altered, modified, misused, neglected, accidentally damaged or not properly installed, maintained, stored or repaired not in accordance with the instructions in the owner's manual.
- Repair due to normal wear and or any wear items such as shear pins, bolts, belts, winch cable, cutting edge, skid shoes, etc.
- Expedited freight fee services for replacement parts.
- Shear bolts and shear pins are to be considered as a preventive measure not as an assured protection, any damages resulting from the lack of shear bolts breakage are not covered.
- Damages due to product being installed on vehicle other than stipulated in the owner's manual.

NOTE: All warranty work must be performed by an authorized dealer using original (manufacturer) replacement parts.

NOTE: Bercomac reserves the right to change or improve the design of any part or accessory without assuming any obligation to modify any product previously manufactured.

Instructions for Obtaining Warranty Services:

Contact dealer where equipment was purchased or any other BERCO service dealer to arrange service at their dealership. To locate a dealer convenient to you, access our website at www.bercomac.com. Don't forget to bring your proof of purchase (sales receipt) to the BERCO dealer.

Owner's Responsibilities:

BERCOMAC's defective equipment or part must be returned to an authorized dealer within the warranty period for repairs. In the event that defective merchandise must be returned to manufacturer for repairs, freight fees are prepaid and a written authorization from BERCOMAC must be obtained by dealer prior to the shipment. This warranty extends only to equipment operated under normal conditions. To validate a warranty claim, it is the user's responsibility to maintain and service the unit as specified in the owner's manual or to have the unit serviced at their dealer at their expense.

General Conditions:

The sole liability of BERCOMAC with respect to this warranty shall be strictly and exclusively repair and replacement as mentioned herein. BERCOMAC shall not have any liability for any other costs, loss or damage, including but not limited to, any incidental or consequential loss or damage.

Taking advantage of the warranty does not in any way extend the length or renewal of the warranty.

In particular, without being limited to, BERCOMAC shall have no liability or responsibility for:

- Travel time, overtime, after hours time or other extraordinary repair charges or relating to repairs and or replacements outside of normal business hours.
- Rental of like or similar replacement equipment during the period of any, repair or replacement work.
- Any communicating or travel charges.
- Loss or damage to person or property other than that covered by the terms of this warranty.
- Any claims for lost revenue, lost profit or any similar costs as a result of damage or repair.
- Attorney's fees.

BERCOMAC's responsibility in respect to claims is limited to making the required repairs or replacement without charge up to our maximum labor rates and pre-established times and no claim of breach of warranty shall be cause for cancellation or rescission of the contract of sale of any product or accessory. In no event shall recovery of any kind be greater than the amount of the purchase price of the product sold.

This warranty gives you specific legal rights. You may also have other rights, which vary from state to state.



***WHEN PERFORMANCE
& DEPENDABILITY
ARE NON NEGOTIABLE!***

**Bercomac Limitée
92, Fortin North, Adstock, Quebec, Canada, G0N 1S0**

WWW.BERCOMAC.COM

PRINTED IN CANADA

(ORIGINAL NOTICE)