

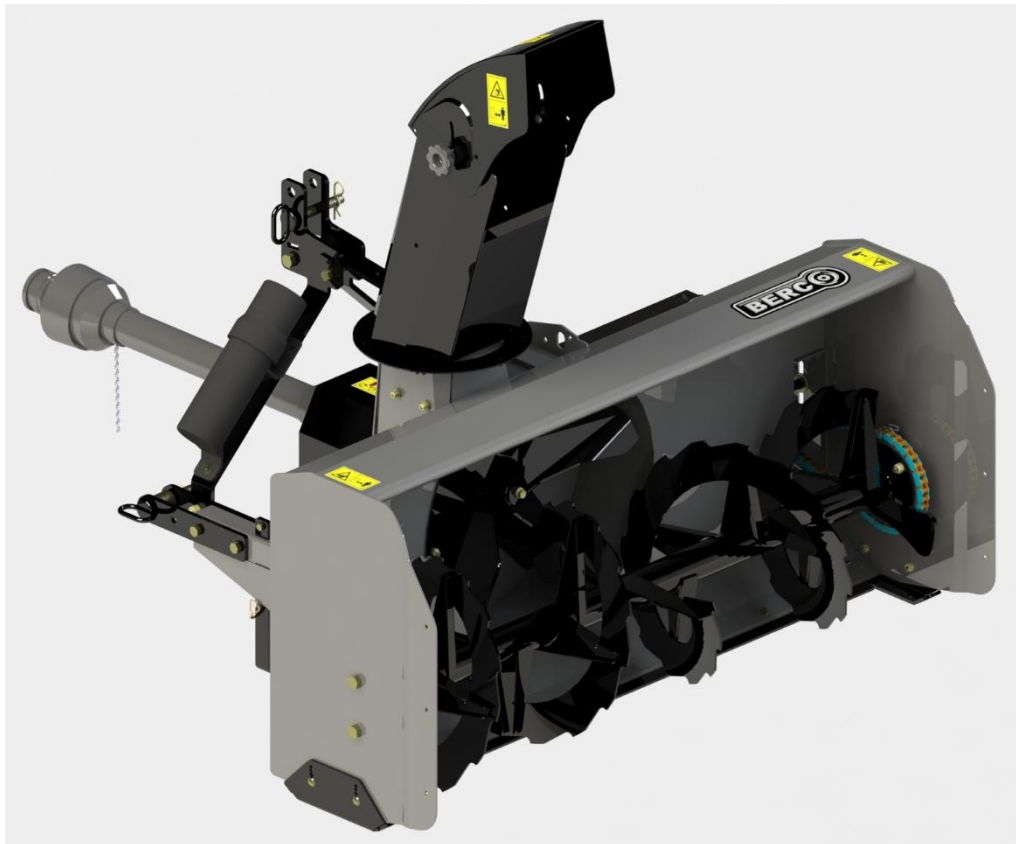


OWNER'S MANUAL

Model number

701027BER 48" snowblower

701028BER 56" snowblower



BERCO

Regular duty snowblower 48" & 56" 3 point hitch

*ASSEMBLY

*REPAIR PARTS

*OPERATION

*MAINTENANCE

CAUTION:

**READ & FOLLOW ALL SAFETY RULES & INSTRUCTIONS BEFORE
OPERATING YOUR EQUIPMENT**



Table of contents

Table of contents

Introduction	1	To direct the snow when removing	16
Important safety information	2	Snow removal	16
Safety alert symbol/Signal words/Safety messages	2	Clean a blockage	17
Safety decals.....	5	Adjustments.....	18
Assembly & initial set-up	7	Parking stand on the snowblower	18
Vehicle requirements	7	Lower the parking stand:	18
Reception	7	Raising the parking stand:.....	18
General assembly instructions	7	Chute deflector.....	18
Accessory assembly.....	8	Chute Rotation	19
Preparation for Branson 1905H and TYM T194H tractor	8	Skid Shoe adjustment.....	19
Installation of the kits for the rotation and the deflection of the chute:.....	8	Troubleshooting.....	20
Installation of the PTO drive shaft:	8	Maintenance & Lubrication	22
Validation of the PTO drive shaft (if first installation):	8	Maintenance schedule	22
Assembly options	10	Cutting edge maintenance	22
Extended wings kit w/ drift cutters #701046.....	10	Cutting edge maintenance	22
Snow drift cutters kit #701047.....	10	Gear box Maintenance.....	22
Initial set-up.....	10	Greaseable bearings.....	22
Accessory Hook-up & Unhook	11	Shear bolt sprocket hub	22
Operating Instructions	15	Chain.....	23
Safety precaution	15	Replacing shear bolts for the fan and auger:	23
Controls and display	16	Chain adjustment:	23
Operating instructions.....	16	Chain replacement:	23
Pre-start instructions	16	Storage and transportation	24
Vehicle shutdown procedures	16	Long-Term Storage	24
Hooking-Up the accessory	16	Transportation.....	24
Unhooking the accessory	16	Specifications	25
		Part list and parts breakdown.....	26
		Torque specification table	39
		Warranty.....	40

Introduction

Introduction

To the purchaser

This new accessory was carefully designed to give years of dependable service. This manual has been provided to assist in the safe operation and servicing of your attachment.

All photographs, illustrations and information in the manual may not necessarily depict the actual models or attachments, but are intended for reference only and are based on the latest product information available at the time of publication.

Familiarize yourself fully with the safety recommendations, assembly, operating procedures, adjustments, troubleshooting, and maintenance before putting the machine to use. It's a necessity for all operators to carefully read, understand and follow these recommendations and insist that they be followed by those who will use this attachment. This manual should be kept for future reference.

Please check if you have received all the parts for your kit with the list of the bag and the list of the box.

Serial number

If applicable, record the serial number and purchase date of your attachment in the section reserved below. Your dealer will require this information to give you prompt, efficient service when ordering replacement parts. Use only genuine parts when replacements are required.

If applicable, the location of the serial number on the accessory is shown in the parts breakdown & part list section of this manual.

SERIAL NUMBER _____ **MODEL NUMBER** _____

PURCHASE DATE _____

If warranty repairs are required please present this registration booklet and original sales invoice to your selling dealer for warranty service.

Terminology

- "Accessory" is used as a general word to describe the product covered in this manual.
- The "right" and "left" side is determined by sitting in the driver's seat facing forward.
- "Vehicle" is a general term to describe the vehicle (tractor, atv, utv, garden tractor,...) the accessory is installed

Further Assistance

If you need any assistance in understanding the information given in the manual and other concerns regarding operation of the machine or for repair parts, safety decals,...

1. Ask your dealership's service representative.
2. If you are not satisfied, seek for general manager of dealership or service manager.
3. If you are still not satisfied, contact us at the address specified on the back page of this manual.

Application

La souffleuse à neige est conçue pour dégager la neige d'une entrée ou d'un stationnement.

Important safety information

Safety alert symbol/Signal words/Safety messages

These are common practices that may or may not be applicable to the product described in this manual.

SAFETY ALERT SYMBOL



THIS SAFETY ALERT SYMBOL IDENTIFIES AN IMPORTANT SAFETY MESSAGE IN THIS MANUAL THAT HELPS YOU AND OTHERS AVOID PERSONAL INJURY OR EVEN DEATH. DANGER, WARNING, AND CAUTION ARE SIGNAL WORDS USED TO IDENTIFY THE LEVEL OF HAZARD. HOWEVER, REGARDLESS OF THE HAZARD, BE EXTREMELY CAREFUL.

⚠ DANGER: Signals an extreme hazard that will cause serious injury or death if recommended precautions are not followed.

⚠ WARNING: Signals a hazard that may cause serious injury or death if the recommended precautions are not followed.

⚠ CAUTION: Signals a hazard that may cause minor or moderate injury if the recommended precautions are not followed.

PREPARATION FOR USE

All operators, no matter how experienced they may be, should read and understand this and other manuals related to the vehicle and accessory before operating. It is the owner's legal obligation to instruct all operators in safe operation of the accessory to prevent injury or death. Improper use of the accessory can cause serious injury or death.

- Read and understand this owner's manual carefully. Be thoroughly familiar with the controls and proper use of the vehicle and accessory. Know how to stop the unit and handle the controls quickly in case of emergency.
- Read and understand the "Safety Decals" section, read all instructions noted on them or/and in the "Safety Decals" section.
- Never allow children to operate the vehicle nor the accessory. Never allow adults to operate or maintain the vehicle nor the accessory without proper instructions. Local regulations restrict the age of the operator.
- Children are often attracted to accessories. Never assume children will stay in place where you have last seen them. Keep children under surveillance of a responsible adult at all times.
- No one should operate the vehicle nor the accessory while intoxicated or while taking medication that impairs the senses or reactions. The operator should, if taking medication, seek

medical advice on whether he/she can safely operate the equipment.

- Keep the area of operation clear of all people, particularly small children.
- Never start or operate the accessories except from the operator's seat.
- Prepare for emergencies. Be prepared if a fire starts. Keep first aid kit and fire extinguisher handy. Keep emergency phone numbers (doctor, ambulance, etc) near a phone.
- Thoroughly inspect the area where the accessory is to be used and remove door mats, wires, and other foreign objects .
- For motorized accessories, disengage all clutches and shift into neutral before starting engine.
- Do not operate or maintain the accessory without wearing adequate clothing and safety equipment. (glasses, muffs, earplugs, mask...) Wear footwear that will improve footing on slippery surfaces. Prolonged exposure to loud noise can cause hearing impairment or hearing loss.
- Clothing should be snug without fringes and pull strings to avoid entanglement with moving parts.
- Avoid wearing radio headphones while operating.

Important safety information

- Handle fuel with care, it is highly flammable and vapors are explosive.
 - a) Extinguish all cigarettes, cigars, pipes and other sources of ignition.
 - b) Use approved fuel container.
 - c) Never add fuel to a running engine or hot engine.
 - d) Fill fuel tank outdoors with extreme care. Never fill fuel tank indoors.
 - e) Never fill containers inside a vehicle, on a truck or a trailer bed with a plastic liner. Always place containers on the ground, away from your vehicle, before filling.
 - f) When possible, remove gas-powered equipment from the truck or trailer and refuel it on the ground. If this is not possible, then refuel such equipment on a trailer with a portable container, rather than directly from a gasoline dispenser nozzle.
 - g) Keep the nozzle in contact with the rim of the fuel tank or container opening at all times, until refueling is complete. Do not use a nozzle lock-open device.
 - h) Never overfill fuel tank. Replace fuel cap securely and wipe up spilled fuel.
 - i) If fuel is spilled on clothing, change clothing immediately.
- Never attempt to make any adjustments while the engine (motor) is running (except when specifically recommended by manufacturer).
- Let the vehicle and accessory adjust to outdoor temperatures before using.
- Always make sure to have safe traction on the vehicle by using the recommended accessories (chains, tracks, counterweights...). See operation section.
- Always make sure all components are correctly installed. (driveline securely attached and locked at both ends, belts properly installed...)
- Never modify the accessory or any part without the written consent from the manufacturer. Use only options/accessories approved by the manufacturer
- Avoid underground utilities. If the accessory digs into the ground, always contact your local utility companies (electrical, water, gas,...) before digging to know where you can dig.
- Exercise extreme caution when operating on or crossing gravel drives, walks or roads. Stay alert for hidden hazards such as traffic, fences, trees, buildings, wires, etc.
- After striking a foreign object, stop the engine (motor), disconnect the wire from the spark plug(s) and keep wire away to prevent accidental starting. Thoroughly inspect the accessory for any damage and repair damage before restarting and using the accessory.
- If the unit should start to vibrate abnormally, stop the engine (motor) and check immediately for the cause. Vibration is generally a warning of trouble. Do not use equipment until properly repaired.
- Take all possible precautions when leaving the operator's seat. Disengage the power take-off, lower the accessory, place the transmission into neutral, set the parking brake, stop the engine and remove the ignition key to prevent unauthorized starting then wait for all components to come to a complete stop before leaving operator's seat.
- Do not run the engine indoors, except when starting the engine and for transporting in or out of the building. Do not operate or let motor run in a storage area without ventilation because gas contains carbon monoxide which is odorless, colorless and can cause death.
- Never use the accessories across the face of slopes. Go from top to bottom. Exercise extreme caution when using equipment on slopes, on wet ground or near a drop-off. Do not attempt to use accessory on a steep slope.
- Never tolerate bystanders in the working zone or between the vehicle and accessory while hooking-up the accessory.
- Never operate the accessory at high transport speeds. Move and turn vehicle at low speeds during operation. Be cautious when backing up.
- Do not carry or lift passengers on vehicle or accessory.
- Disengage power to the accessory when it is transported or not in use.
- Never operate the accessory without good visibility or light.
- Keep the accessory away from heat sources or flames.
- Never use accessory if it has been dropped or damaged. Repair if necessary before re-using.
- Never use an accessory without proper guards, plates, or other safety protective devices in place

OPERATION:

- Do not put hands or feet near, under or inside rotating parts or any power driven parts

Important safety information

TRANSPORT

- Review Transport Safety instructions in the vehicle manual before moving or hauling.
- Check with local authorities regarding transport on public roads and off road. Comply to all applicable laws and regulations.
- Make sure all lights and reflectors that are required by the local highway and transport authorities (example : SMV (Slow Moving Vehicle), flashing warning light) are in place, are clean, and can be seen clearly by all overtaking and oncoming traffic. Turn on flashing warning light whenever on a highway, except where such is prohibited by law.
- Never have the equipment in operation during transport.
- Always travel at a safe and slow speed to allow adequate steering control and stopping
- Always drive with accessory low to the ground but high enough to avoid any contact with road or any foreign objects during transportation
- Avoid any contact with any overhead power line.
- Never drive the accessories across the face of slopes. Go from top to bottom or bottom to up
- Engage parking brake when stopped on an incline
- Allow for the accessory length when making turns.

MAINTENANCE AND ADJUSTMENT

- When cleaning, repairing or inspecting the vehicle and accessory: park on a solid level ground (in a clean dry area), disengage drives, lower implement, set parking brake, stop the engine, remove ignition key, and wait that all moving parts have stopped and cooled. For gasoline engine, disconnect wire from the spark plug(s) and keep wire away to prevent accidental starting.
- Allow the accessory to cool before working on it
- Use a jack and support blocks to support equipment when required. Carefully release pressure from equipment with stored energy.
- Check all the bolts and components at frequent intervals to make sure that they are properly tightened and in safe working condition.
- When inflating tires, stand on one side NOT in front or over the tire assembly. Use a safety cage if available.
- Remove grease, oil, or debris build-ups.

Remove all tools and unused parts from equipment before operation.

- Disconnect battery ground cable (-) before servicing or adjusting electrical systems or before welding on implement
- Replace parts on this accessory with genuine part only.
- Understands maintenance and adjustment procedure, see adjustment and maintenance section of the owner's manual.
- Never work or walk under the accessory unless securely blocked. Otherwise accessory can fall.
- Visually check for hydraulic leaks and broken, missing, or malfunctioning parts and make necessary repairs before applying pressure to the system. Do the same validation after applying pressure to the system (use a piece of cardboard not your hands to detect leaks).
- Escaping hydraulic oil under pressure can have sufficient force to penetrate skin, causing serious personal injury. If injured by escaping fluid, obtain medical treatment immediately.
- Wear protective gloves and safety glasses or goggles when working with hydraulic system.
- Before disconnecting hydraulic line or performing work, relieve all hydraulic pressure

STORAGE




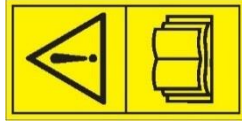

- Never store a motorized accessory with fuel in the fuel tank inside a building where ignition sources are present such as hot water and space heaters, clothes dryers, and the like. Allow the engine to cool before storing in any enclosure.
- Always refer to the owner's manual when you store the accessory and vehicle for a prolonged or an unspecified length of time.
- Maintain or replace safety and instruction labels, as necessary.
- For winter accessories, (if applicable), let the engine run for a few minutes after clearing snow in order to prevent the rotary parts from freezing.
- Always refer to operator's manual for important details if the accessory is to be stored for an extended period
- Store the accessory in an area where children normally do not play. Secure the implement using blocks and supports and secure any pointy or sharp edges.

Important safety information



Safety decals

Read and understand all instructions/explanations noted on decals or/and in the “Safety Decals” section

- Keep the safety decals clean and visible
- For decal location see part list section of this manual
- Replace decals if decals are missing or illegible
- To buy new decals, see the “further assistance” section in the introduction section of this manual
- To Install new labels
 - Deeply clean area where the label will be installed (remove any grease, rust, dust,....)
 - Peel the decal and install at the proper location (see part list) by pressing on the decal
 - Remove any bubbles under the decal

Symbol	Decal #	Description
	#108550	To avoid serious injury or death: Keep hands, feet & clothing away from rotating auger while the vehicle’s engine is running. Shut off engine and remain clear of the machine until all moving parts come to a complete stop.
	#108553	To avoid serious injury: Keep hands out of this discharge chute while the vehicle’s engine is running. Shut off engine and remain clear of the machine until all moving parts come to a complete stop.
	#108555	To avoid serious injury: Keep hand & clothing away from rotating gear while the hydraulic motor is connected. Always use the snowblower with all the guards in place.
	#108551	Before installing or using: Locate, read and make sure to understand all of the owner’s manual.
	#108556	To avoid serious injury: Remove Key, Locate, read and make sure to understand all of the owner’s manual before servicing.

Important safety information

	#108554	<p>To avoid serious injury:</p> <p>Keep people and clothing away.</p> <p>Do not operate without all driveline, tractor and equipment shields in place, or without the drivelines securely attached at both ends.</p>
	#108557	<p>To avoid serious injury or death from thrown objects:</p> <p>Keep people away from the discharge area during operation and keep others away.</p>

Assembly & initial set-up

Vehicle requirements

The snowblower is designed to be installed on a compact tractor only, equipped with a 3 point hitch, standard category 1 or quick hitch type.

Tractor horsepower rating : **15-30 hp (48")**
15-35 hp (56")

Power take-off speed : **540 rpm**

WARNING

To avoid serious injury or death:

Counterweight may be required. Refer to your loader and tractor manual to determine if counterweight is needed. If loader and tractor manual do not have enough information, contact your tractor/loader manufacturer to determine if you need counterweight

WARNING

To avoid serious injury or death caused by vehicle overturn from falling of the vehicle:

Operate only with tractor equipped with an approved rollover-protective structure (ROPS) or ROPS cab and seat belt. Foldable ROPS must be kept up at all times. Fasten seatbelt snugly and securely.

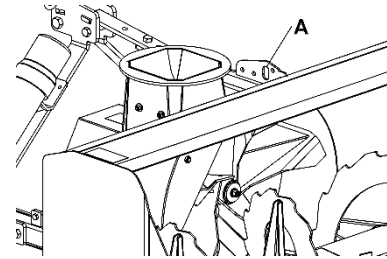
Reception

CAUTION

To avoid serious injury :

Keep Clear. The accessory can flip forward or backward suddenly causing serious injury while removing the accessory from packaging.

1. Remove the protective cover from the wooden box.
2. Disassemble the wooden box.
3. Unbolt the accessory by removing all fasteners that hold it in place in the wooden box.
4. Using a winch, forklift or other lifting device, attach a chain to the snowblower at location A.



5. Lift the snowblower off the base of the wooden box.
6. Lower the snowblower.
7. Remove chain from the winch.
8. Proceed to the installation of the chute (see assembly section) Note: once the chute installed, do not put a chain in the same location as previously done, as this could break the chute.
9. Proceed to install the transmission driveline (see assembly section of the manual)

General assembly instructions

WARNING

THIS ACCESSORY AND ALL OPTIONS ARE HEAVY!

To avoid risk of strain injury, NEVER lift the accessory or any options by hand alone when handling the components or assembly. Use proper lifting device and seek assistance.

When accessory is off the ground, NEVER be underneath the accessory. Serious injury including possibility of death could occur if accessory were to drop suddenly.

Always wear protective shoes and appropriate gloves when manipulating or using this equipment.

- Unless otherwise specified, torque all bolts to "torque specification table" (see table of content for page number)
- Refer to parts breakdown section for part identification.

Assembly & initial set-up

Accessory assembly

Preparation for Branson 1905H and TYM T194H tractor

Install the **#110210** mounting plates kit sold separately.

Installation of the kits for the rotation and the deflection of the chute:

Installation of the hydraulic chute rotation kit #701011-1:

See the instructions supplied with the kit.

Installation of the manual chute rotation kit #701029:

See the instructions supplied with the kit.

Installation of the electric chute rotation and deflection kit #701036:

See the instructions supplied with the kit.

Installation of the electric chute deflection kit #700666-2:

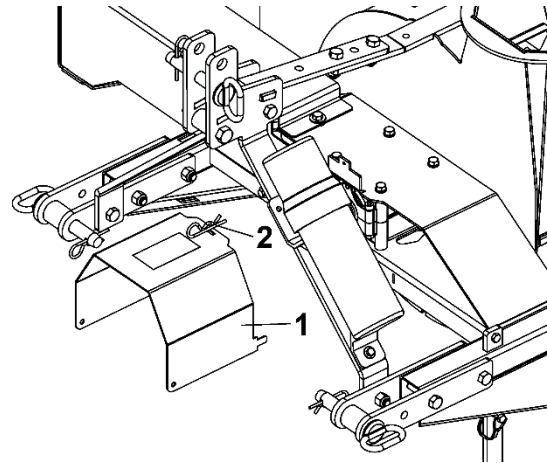
See the instructions supplied with the kit.

Installation of the PTO drive shaft:

Remove the guard:

Remove the guard (item 1) by removing the hair pin (item 2). Install the drive shaft by following the instructions mentioned below.

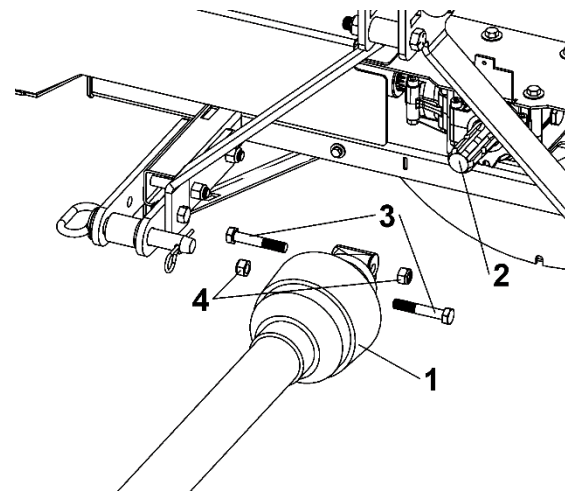
After installing the drive shaft, put the guard back in place and secure it with the hair pin.



PTO drive shaft installation

Install the PTO driveshaft (item 1) on the snowblower input shaft (item 2). Then install the two bolts M12 x 1.25 x 70 Grade 8.8 (item 3) and nuts (item 4).

NOTE: If the length of the PTO driveshaft has not been validated, secure with the nuts only after this validation.



Validation of the PTO drive shaft (if first installation):

The length of the PTO drive shaft must be adjusted in regard to the length of the arms of the tractor or the options installed on the tractor (example: 3 point quick hitch) or the location of the PTO on the tractor.

Assembly & initial set-up

Determine the length of PTO drive shaft.

Install the snowblower on your tractor (see Accessory Hook-up & Unhook section).

The length of the drive shaft must be :

Maximum length:

Make sure that during all the movements of the accessory that the female part of the shaft does not come into contact with the male part of the shaft (the shaft must never be completely closed over one another).

Minimum length:

It must be long enough to make sure that within all movement range of the accessory that male part of the shaft has a minimum overlap of 4 inches over the female part.

See next section if you need to adjust the length of the PTO shaft.

NOTE: It is the owner's / user's responsibility to make sure the installation meets these requirements.

Check Driveline recommended overlap:

More than one driveline may be required to fit all applications.
The driveline telescoping tubes must always overlap by at least 1/2 of their length in normal condition and at least 1/3 of their length in all working conditions.

Record following dimensions:

· L = _____ L/2 = _____

· D = _____

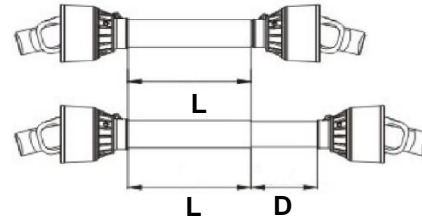
If D is bigger than L/2:

· A longer driveline is recommended.

If D is between 1" and L/2:

· Driveline recommended overlap is good.

Apply multi-purpose grease to the inside of the outer shaft and reassemble the driveline.

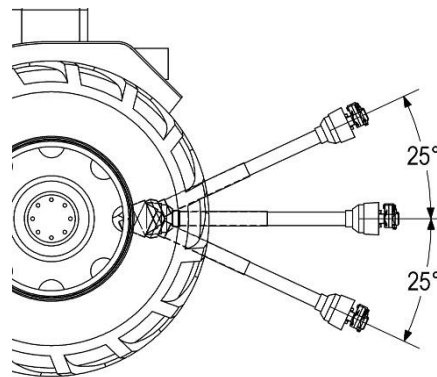


IMPORTANT: Avoid premature driveline breakdown. A driveline that is operating must not exceed an angle of 25 degrees up or down while operating 3-point lift.

With PTO off, raise implement fully up and check if:

- Dimension D is still between 1" and L/2:
- Driveline does not exceed 25°.

If driveline exceeds any of the limits listed, set tractor 3-point lift limiter at a height that will keep the driveline within its lift limits and to avoid premature driveline breakdown.



Shorten driveline length

Un-hook driveline from tractor PTO shaft and pull outer and inner drivelines apart.

Reattach outer driveline to tractor PTO shaft. Pull on

Assembly & initial set-up

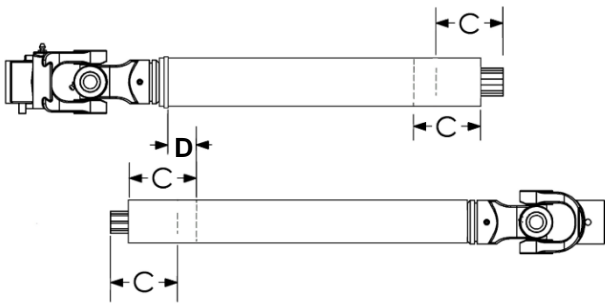
inner and outer drivelines to be sure universal joints are properly secured.

Hold inner and outer drivelines parallel to each other:

Make sure dimension "D" is at least 1".

If needed:

- Mark drivelines halves at the correct length ("C") to cut.
- Remove drivelines halves from tractor and gearbox shafts.
- Remove the driveline guards.
- Cut the "inner and outer driveline tubes" off the same required length (distance C).
- Deburr edges of the drive tubes that were cut with a file and remove all filings from the tubes.
- Cut the "inner and outer driveline guards" off the same required length ("C").



A. Grease the internal driveshaft tube.



B. Reinstall the guards.

Assembly options

Please see your dealer for a complete list of updated options.

Extended wings kit w/ drift cutters #701046

Please see instructions included in the kit.

Snow drift cutters kit #701047

Please see instructions included in the kit.

Initial set-up

Please see adjustment section for the entire settings and make sure the validation of the PTO drive shaft have been made (see section assembly and initial setup).

Accessory Hook-up & Unhook

Hooking-Up the accessory



To avoid serious injury or death :

A Crushing Hazard exists when hooking-up equipment. Do not allow anyone to stand between vehicle and the accessory while moving in the direction of the accessory or pulling away from accessory. Do not operate hydraulic lift controls while someone is near the skid vehicle or accessory.



To avoid serious injury or death :

Always engage parking brake or set transmission in park, shut tractor engine off and remove key before dismantling from tractor or allowing anyone to hook-up and unhook the implement

The lower 3-point arms of the 3-point hitch must be stabilized to prevent side-to-side movement. (Please consult your tractor's manual for adjusting instructions). Make sure the accessory is on a flat level surface

- A. Remove top hitch accessory hardware, see figure for more details (item 1)
- B. Remove lower hitch accessory hardware, see figure for more details (item 2)
- C. If applicable, align driveline properly to avoid interferences.
- D. Slowly back tractor up to the accessory while using the tractor's 3-point hydraulic control to align lower 3-point arm holes with accessory lower arm mount location (item A).
- E. Engage parking brake or set transmission in park, shut tractor engine off and remove key before dismantling from tractor or allowing anyone to hook-up and unhook the implement
- F. Connect lower arm to accessory. With lower arm properly aligned:

Depending on the configuration of your tractor, using the pin (item 1) and the spring pin (item 2):

OPTION A – to decrease the lift height and reduce the angle of the drive shaft:

- Use B1 holes

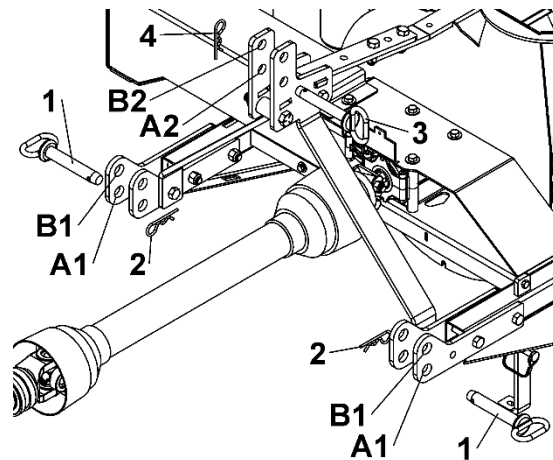
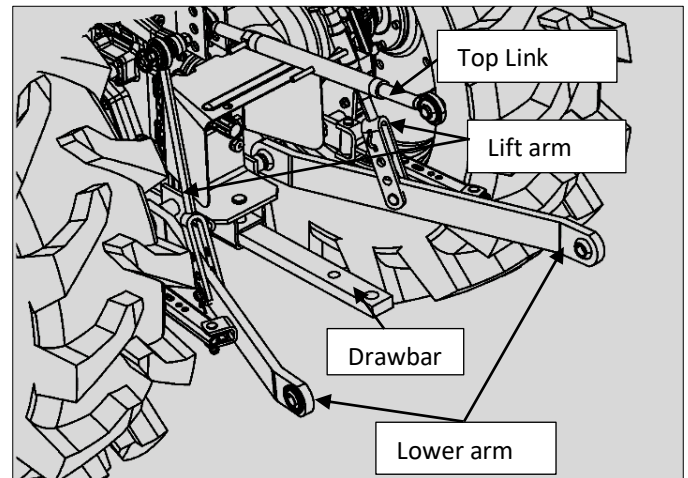
OPTION B – to maximize the lift height, but be careful not to exceed the maximum 25 degrees of the drive shaft:

- Use A1 holes

G. Connect the top link to the accessory:

Connect the upper link to the hole of the accessory using the pin (item 3) and the hair pin (item 4).

- Location A2 if A1 is used
- Location B2 if B1 is used



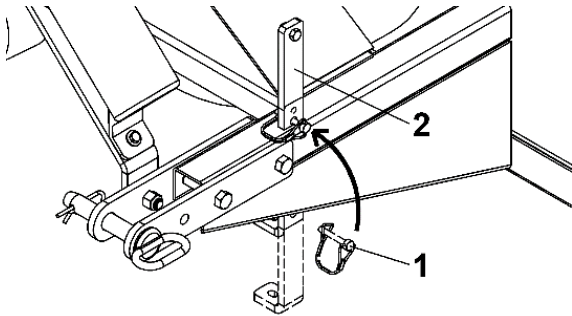
Using 3 point quick hitch

The accessory is supplied with adapter sleeve for 3points quick hitch. See part list for part identification.

Accessory Hook-up & Unhook

Disengage the parking stand after installing the accessory on the tractor:

Remove the lock pin (item 1) then raise the parking stand (item 2) and reinstall the lock pin at the indicated place.



Install the PTO drive shaft on the input shaft of the tractor.

If this is the first time the snowblower and PTO are installed on the tractor, make sure to follow the validation of the PTO drive shaft have been made (see section assembly and initial setup).

IMPORTANT: Make sure that the PTO driveshaft is correctly inserted on the tractor PTO and locked in place on the tractor PTO.

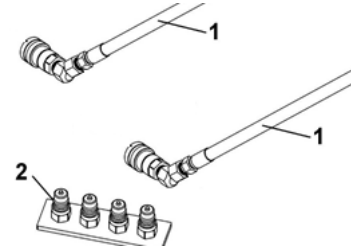
Connecting the hydraulic hoses (if applicable)

DANGER

To avoid serious injury or death:

- Escaping hydraulic oil under pressure can have sufficient force to penetrate skin, causing serious personal injury. If injured by escaping fluid, obtain medical treatment immediately.
- Wear protective gloves and safety glasses or goggles when working with hydraulic system.
- Before disconnecting hydraulic line or performing work, relieve all hydraulic pressure
- Visually check for hydraulic leaks and broken, missing, or malfunctioning parts and make necessary repairs before applying pressure to the system. Do the same validation after applying pressure to the system (use a piece of cardboard not your hands to detect leaks).

Connect the flexible hoses (item 1) for the snowblower's chute rotation to the vehicle's hydraulic system (item 2). Read all important following information on this page before proceeding to the installation of the hoses.



Purging hydraulic system (if applicable)

Hydraulic components on the accessory can contain air. The air needs to be purged from component

- A. Raise the accessory 6" off the ground
- B. Activate the hydraulic control to cycle all possible movement of the accessory several times until the movement is stable.

IMPORTANT:

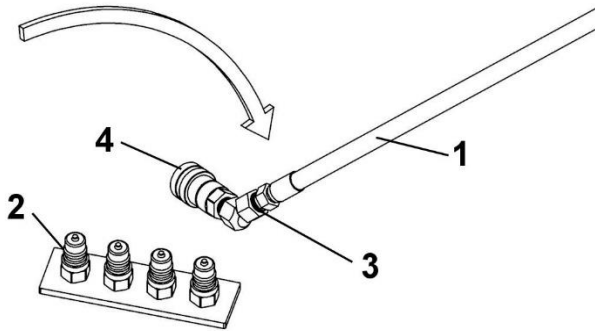
***It is the user / or the person who does the installation's responsibility to install the hoses in such a manner that they do not come into contact with any mobile elements of the vehicle (the wheels or the subframe), sharp edge, hot surface in all operating conditions if not, this could lead to damages.**

IMPORTANT: If manipulating the hydraulic commands do not create any movement, one hose from the hydraulic lift system is interchanged with one hose for the chute rotation.

NOTE: Use a coloured tie wrap (not supplied) to identify the different hoses to simplify future installation.

IMPORTANT: Twists in the hydraulic hoses will wear them out prematurely. If the quick couplers are not well aligned, slightly loosen the fitting (item 3) in order to rotate the female quick coupler (item 4). Lubricate the threads with hydraulic fluid and tighten the joint at 25 ft-lb.

Accessory Hook-up & Unhook



ATTENTION: Over tightening is one of the greatest causes for oil leaks.

Test the hydraulic controls in order to make sure that they coordinate with the movement of the accessory. If they do not match, reconnect the hoses in the right order.

Check interferences

Repeat the following step for all possible adjustments of the accessory (see adjustment section) and all possible movement of any part of the accessory who affect the position of any part of the accessory relatively to the tractor.

- After doing the adjustment, validate that any part of the accessory does not contact any part of the tractor
- Slowly move the accessory up and down and validate that any part of the accessory does not contact any part of the tractor
- If there is a contact,
 - limit the movement of the accessory or tractor or the lifting device on the vehicle
 - If the contact is with an equipment that can be removed remove it. Always follow the instruction from your vehicle and any other accessory manufacturer to make sure you can remove this equipment

Leveling the accessory

- To level from side to side manually adjust one of the two lower lift arms up or down to level the blade from left to right
- To level accessory from front to rear manually adjust the top center link length

Un-hooking the accessory from 3pt hitch

CAUTION

To avoid severe injury:

If the if the accessory is equipped with a parking stand, always make sure the parking stand is securely attached in position with hardware correctly installed. If not, the accessory can fall.

Safely lower the accessory

- Park vehicle on a solid and flat surface.
- Lower the parking stand.
- Lower the accessory until skid shoe are resting on ground.
- Relieve the pressure in the hydraulic lines and disconnect the hoses.

Accessory Hook-up & Unhook

Place transmission in park, set park brake, shut power equipment off, and remove switch key to avoid accidental starting. See “vehicle shutdown procedures” in the operation section

Remove from 3pt Style Hitch:

- A. If needed, adjust length of upper center 3point link until hitch pin can be removed from hitch frame.
- B. Remove all hardware that connect 3pt lower arm hitch to the accessory (see Hooking-up section for part identification)
- C. Move tractor lower arm and top link away then put back the hardware on all hitch location on the accessory (see Hooking-up section for part identification)
- D. Check the stability of the accessory to make sure the unit will not tip easily in any direction (forward, backward,...). If required add support where needed to make sure the accessory will not overturn

Refer to “long-term” storage when storing the accessory for a long time

Operating Instructions

Safety precaution

DANGER

To avoid serious injury or death :

- Always follow all safety precaution in the important safety information section of this manual.
- Follow all instructions and safety precautions in your vehicle manual and any other related accessory manual.
- Always follow all safety precaution on all safety decals
- To avoid being pinned between loader lift arm or 3pts hitch and vehicle frame, always operate the accessory while seated in the operator seat with seat belt fastened
- Keep any part of your body inside the operator area
- Before leaving the operator's seat, lower attachment to the ground, set park brake, turn off engine and remove key
- Do not use foot or hand control for handholds or steps.
- Keep foot and hand control clean at all time
- Never bypass or modify a safety device
- Keep away from electrical power lines
- Never allow riders on vehicle or accessory
- Operate vehicle only if equipped with ROPS with seatbelt fasten at all time
- Check hitch fit-up frequently. An improper fit-up can result in the accessory detaching from the vehicle
- It is the operator responsibility to make sure nobody is in the working area before performing any work or any movement with the vehicle and accessory
- If applicable stop loader arms gradually when lowering or lifting

WARNING

To avoid serious injury or death:

Counterweight may be required. Refer to your loader and tractor manual to determine if counterweight is needed. If loader and tractor manual do not have enough information, contact your tractor/loader manufacturer to determine if you need counterweight

WARNING

To avoid serious injury or death caused by vehicle overturn from falling of the vehicle:

Operate only with tractor equipped with an approved rollover-protective structure (ROPS) or ROPS cab and seat belt. Foldable ROPS must be kept up at all times. Fasten seatbelt snugly and securely.

CAUTION

To avoid serious injury:

- Use the accessory for the intended purpose only, use only for blowing snow.
- Avoid hitting solid objects with the accessory. Hitting objects can damage the accessory and vehicle. Also hitting solid objects can throw the operator forwards causing severe injury

Operating instructions

Controls and display

CHUTE ROTATION:

Follow the instructions supplied with your rotation kit.



WARNING

To avoid serious injury or death:

- Never operate snowblower if its chute can be rotated to throw snow toward the operator. If the chute can be rotated toward the operator, shutdown the snowblower and adjust or repair chute rotation stop before putting the snowblower back into service.
- Keep people and animals away while operating the snowblower. Never throw snow toward people, animals, or operator. The snowblower is capable of picking up solid objects and discharging them at high speeds.

CHUTE DEFLECTOR:

See adjustment section.

Operating instructions

Pre-start instructions

Always inspect equipment before using this equipment. Refer to section “Maintenance and Lubrication”.

Vehicle shutdown procedures

Always shut down vehicle before dismounting

1. If engaged, disengage PTO
2. Park on level surface, engage parking brake, lower attachment to the ground, turn off engine, and remove key to prevent unauthorized starting.
3. Wait for all components to come to a complete stop before leaving the operator seat.
4. Use steps, grip-handles, and skid-resistant surfaces when getting on and off the vehicle

Hooking-Up the accessory

See the Accessory Hook-up and Unhook section of this manual.

Unhooking the accessory

See the Accessory Hook-up and Unhook section of this manual.

To direct the snow when removing

Use the chute controls to direct the snow. see subsection control and display of the operation section).

To direct snow at the projection distance, adjust the chute deflector (see adjustments section). The more the deflector is open, the greater the distance will be.

To direct the location of the projection, use the control of the rotation of the chute (see subsection control and display of the operation section).

Snow removal

When removing snow, do not use the snowblower as a dozer blade to push snow. Allow snowblower to ingest snow at its own speed. If the speed of your tractor is too fast, the snowblower may become overloaded and plug. For best results, raise the snowblower and remove a top layer of snow. A second pass with the snowblower will remove the remaining snow.

NOTE: To increase the life span of the components, always disengage the snowblower when it is raised.

IMPORTANT: Always inspect hydraulic components and hoses before use. Replace any damaged or worn parts. If you suspect a leak in the hoses, NEVER use your hand to locate it. Use a piece of cardboard or wood.

- A. Make sure the snowblower is free of snow before engaging the snowblower.
- B. Make sure the fan and auger turn freely
- C. Start the vehicle engine.
- D. Before engaging the snowblower, the engine should be running at low speed.
- E. Operate the snowblower at maximum speed when removing wet or sticky snow. A low engine speed will tend to obstruct the chute.
- F. Always use the accessory with float mode. To do this, push the tractor hydraulic lever to the float position.

Operating instructions

Clean a blockage



DANGER

To avoid serious injury or death:

Hand contact with the rotating impeller inside the discharge chute is the most common cause of injury associated with snowblowers. Never use your hand to clean out the discharge chute.

- Do not attempt to clear plugged chute, auger or fan of snow while the snowblower's engine is running.
- Disengage snowblower. -Lower snowblower to the ground and set parking brake.
- **SHUT THE ENGINE OFF & REMOVE KEY!**
- Wait 10 seconds to be sure that all moving parts such as the impeller blades have stopped moving.
- Always use a cleaning tool (a wooden stick a minimum of 3 feet long or the chute shovel supplied with some models), **NEVER YOUR HANDS.**

Adjustments

Parking stand on the snowblower



To avoid serious injury or death :

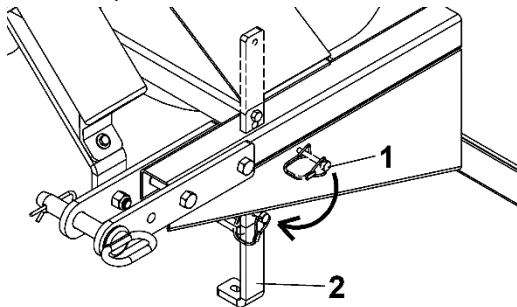
Proceed to the assembly/adjustment on the accessory after it has been properly attached to the vehicle and secured with solid support. Never work around /under equipment supported by hydraulics. Hydraulics can drop equipment instantly if controls are actuated or if hydraulic lines burst even when power to hydraulics is shut off.

Lower the parking stand:

IMPORTANT: when in operation or when the snowblower shaft is installed on the tractor, the parking stand must always be raised.

Lower the parking stand allows easy hooking and unhooking of the snowblower.

- A. Raise the snowblower 2" from the ground.
- B. Stop the vehicle, see the procedure for stopping the vehicle in the operation section.
- C. Remove the lock pin (item 1) then lower the parking stand (item 2) and reinstall the lock pin at the indicated place.



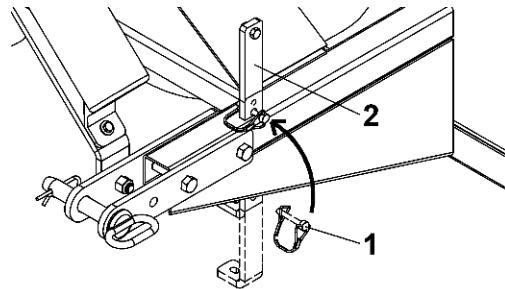
- D. Lower the snowblower to the ground.

Raising the parking stand:

IMPORTANT: when in operation or when the

snowblower shaft is installed on the tractor, the parking stand must always be raised.

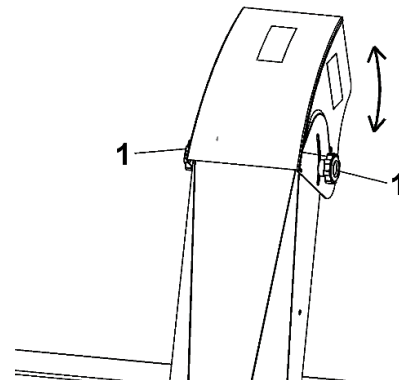
- E. Raise the snowblower 2" from the ground.
- F. Stop the vehicle, see the procedure for stopping the vehicle in the operation section.
- G. Remove the lock pin (item 1) then raise the parking stand (item 2) and reinstall the lock pin at the indicated place.



- H. Lower the snowblower to the ground.

Chute deflector

Adjust the angle of the deflector according to the distance at which the snow is to be projected and to prevent damage to the property. To change the deflector angle, loosen both knobs (item 1), adjust the knobs to the appropriate angle, and tighten both knobs firmly or use the optional electric deflector assembly.



Adjustments

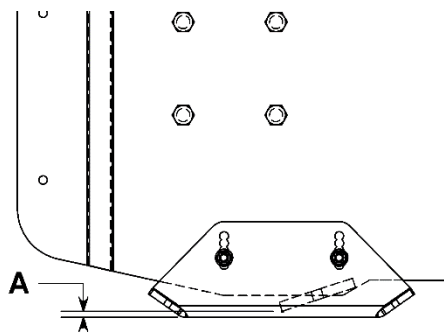
Chute Rotation

See operation section - control and display

Skid Shoe adjustment

PAVED SURFACE: Adjust skid shoes to allow 3/16" to 1/4" or 5mm to 7mm clearance (A) between cutting edge and surface.

UNEVEN OR GRAVEL SURFACE: Adjust skid shoes to allow 1/2" to 5/8" or 13mm to 16mm clearance (A) between cutting edge and surface.



Troubleshooting

PROBLEM	POSSIBLE CAUSES	CORRECTIVE ACTION
Snowblower vibrate or is abnormally noisy.	Damaged auger	Replace auger.
	Damaged drive shaft.	Replace drive shaft.
	Damaged bearing.	Replace bearing.
	Damaged fan.	Dismount & repair or replace fan.
	Driveline is not well installed.	Reinstall the driveline according to the instructions.
	Driveline angle is more than 35 degrees	Reduce the height of the accessory.
	The snowblower input shaft is not parallel with the tractor output shaft.	Adjust using the higher link of the 3 point hitch linkage attachment.
Snowblower stopped turning.	Damaged drive shaft or shear bolt is broken	Replace drive shaft or replace shear bolt (for identification, see Parts List "Snowblower"). Also see "Maintenance" section.
Chute rotation is difficult.	Dirt or ice may be underneath chute.	Clean the base of chute & the rotation ring.
	Dirt in the oil	Clean oil.
	The base of the chute or the rotation ring may be damaged or bent.	Replace defective parts.
The chute plugs easily.	Vehicle engine is turning too slowly.	Always have engine at full R.P.M. when using the snowblower.
	Advancing too quickly with vehicle.	Reduce speed. Allow snowblower to ingest snow at its own speed.

Troubleshooting

Snowblower digs into ground.	Ground is not frozen or too soft.	Adjust skid shoes lower so they may better support the snowblower.
Snowblower does not raise evenly.	Uneven tire pressure from one side to another or 3 points hitch badly adjusted.	Refer to the vehicle's owner manual for tire pressure. Check and adjust tractor tire pressure. Tire pressure must be even on both sides of vehicle.

Maintenance & Lubrication

WARNING

To avoid serious injury or death :

- Always follow all safety precautions in the important safety information section of this manual.
- Follow all instructions and safety precautions in your vehicle manual and any other related accessory manual.
- Use jack and support blocks to support equipment when required. Carefully release pressure from equipment with stored energy.
- Replace parts on this accessory with genuine parts only.
- Never work or walk under the accessory unless securely blocked. Otherwise accessory can fall.
- Never allow untrained personnel to service machine.

Maintenance schedule

Frequency of maintenance at each:	Element to do:
8 hours	Make sure that the bolts are still tightened correctly and that the skids and scraper bar are not too worn
10 hours	- Drive shaft (multi-purpose grease) (4 zerks) <ul style="list-style-type: none"> ▪ Telescopic part (1 zerk) ▪ Crosses (2 zerks) ▪ Drive shaft shear plate (1zerk) - Oil chute base. - Greaseable ball bearings (2 zerks) (multi-purpose grease) - Grease the shear bolt sprocket hub (1zerk) (multi purpose grease).
After first 100hours	Gearbox change oil
1 year or 600 hour, whichever comes first	Gearbox change oil
Year	Check the oil level of the gearbox

Cutting edge maintenance

Check the scraper bar wear from time to time to make sure you do not use the bottom of the snowblower frame. The scraper bar is reversible.

Cutting edge maintenance

Check the scraper bar wear from time to time to make sure you do not use the bottom of the snowblower frame. The scraper bar is reversible.

Gear box Maintenance

Change the oil after the first 100 hours of use. Then change after every 600 hours or each year.

The type of oil used: SAE.90EP

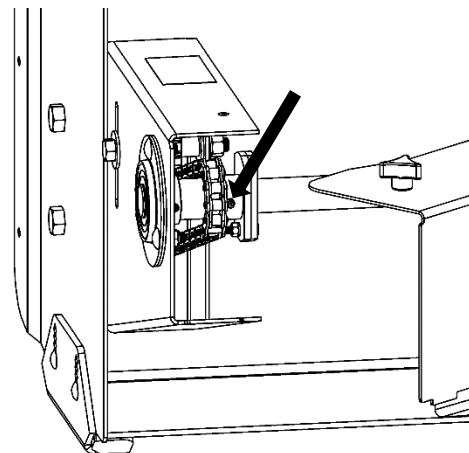
The gearbox should contain 0.5 liters of oil.

Greaseable bearings

Grease every 10 hours of use with multipurpose grease (qty: as needed).

Shear bolt sprocket hub

Lubricate every 10 hours with multipurpose grease (qty: 2 pumps).



Maintenance & Lubrication

Chain

Lubricate when required with commercial chain lubricant (qty: as needed).

Replacing shear bolts for the fan and auger:

Shear bolts are to be considered a preventive measure and not an assured protection. Operator vigilance is required. Thoroughly inspect the areas where the snowblower is to be used and remove all foreign objects.

To avoid damage to the snowblower:

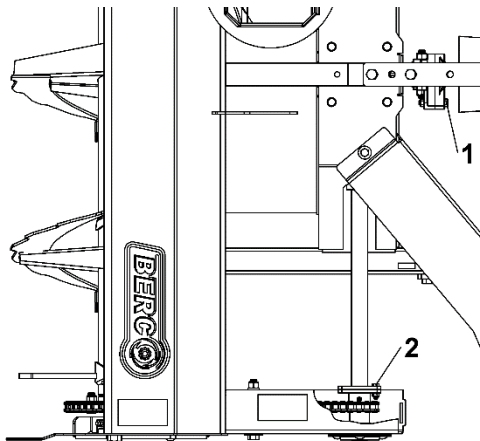
Use only original shear bolts.

#106984 (bag of 10) (item 1) for PTO drive shaft.

#110180 (bag of 10) (item 2) for the auger.

The use of any other shear bolt will not ensure any protection and may void the warranty.

- A. Unscrew the guard and rotate it.
- B. Replace the desired shear bolt.

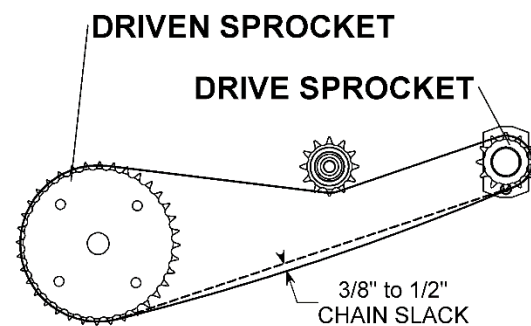
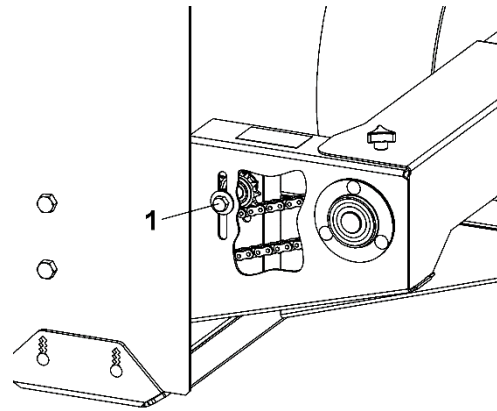


- C. Replace the guard.

Chain adjustment:

Unscrew the adjustment bolt (item 1) sufficiently (to be able to slide the sprocket into the groove), lower the sprocket to add tension to the chain and raise it to remove tension.

NOTE: It is important that the chain is adjusted as shown to maximize its life.



Chain replacement:

- A. Remove the tension from the chain using the adjustment bolt.
- B. Remove the used chain and replace it with a new one.
- C. Adjust the chain to the correct tension as mentioned in section "CHAIN ADJUSTMENT".

Storage and transportation

Long-Term Storage

Follow unhooking instruction in the section “Hookup and Unhook Accessory” of this manual.

- Clean the accessory
- Inspect the accessory for loose, damaged, missing, or worn parts. Adjust and tighten loose parts. When needed replace parts with new ones.
- Repaint parts where paint is missing or worn
- Replace all damaged or missing decals
- Lubricate all lubrication points see “Maintenance and lubrication” section
- Store accessory on a level surface in a clean, dry place. Inside storage is preferable. Store where kids do not play.
- Check the stability of the accessory to make sure the unit will not tip easily in any direction (forward, backward,...). If required add support where needed to make sure the accessory will not overturn

Transportation



WARNING

To avoid serious injury or death :

When travelling on public roads, use SMV sign, clean reflectors, and any other device to alert others of your presence. Always comply with all federal, state/provincial and local laws

- A. If applicable, always disengage tractor PTO before raising accessory to transport position.
- B. Make sure that any part of the accessory does not contact any vehicle part when raising accessory to transport position.
- C. Travel at safe speed when transporting.
- D. Reduce tractor ground speed when turning and leave enough clearance so accessory does not contact obstacles such as buildings, trees, or fences. Turning at high speeds can result in a roll over of the tractor.
- E. Transport the accessory low to the ground to help maintain vehicle stability and visibility as much as possible
- F. Keep away from electrical power lines
- G. Shift tractor to a lower gear when traveling over rough or hilly terrain.

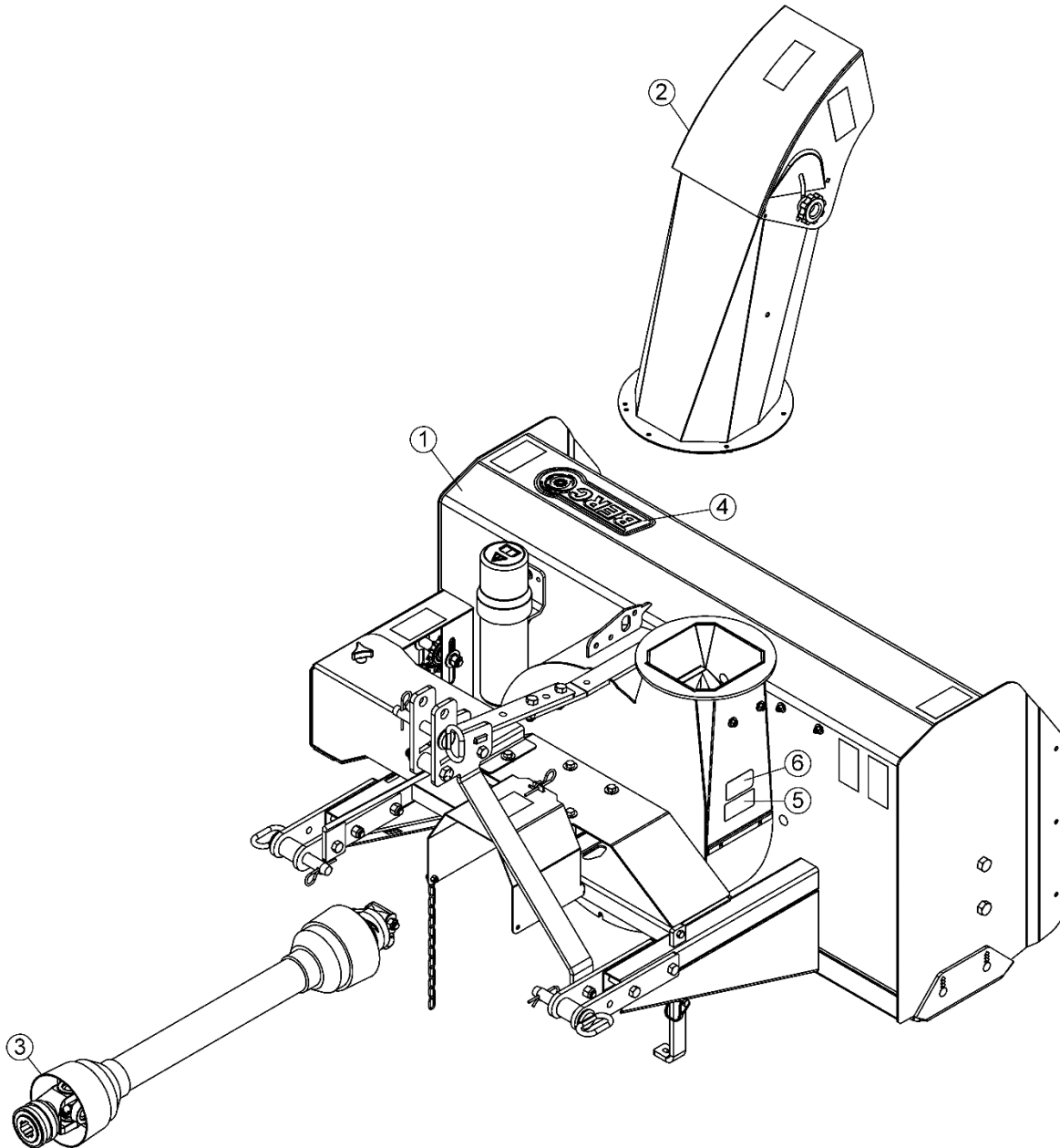
Specifications

Specifications

Specifications		
Model number	701027BER	701028BER
Width	48"	56"
Height (without chute)	27 1/2"	27 1/2"
Height (chute lowered)	48 1/8"	48 1/8"
Height (chute raised)	57 3/4"	57 3/4"
Depth (overall)	42 1/4"	42 1/4"
Weight	368 lbs (approx.)	392 lbs (approx.)
Vehicle	Compact tractor	Compact tractor
Power range	15-30 hp	15-35 hp

Part list and parts breakdown

NOMENCLATURE ET LISTE DES PIÈCES / PARTS BREAKDOWN & PART LIST
Souffleuse à neige 3pts 48" usage régulier #701027BER
Snowblower 3pts 48" regular duty #701027BER



Parts breakdown

NOMENCLATURE ET LISTE DES PIÈCES / PARTS BREAKDOWN & PART LIST Souffleuse à neige 3pts 48" usage régulier #701027BER Snowblower 3pts 48" regular duty #701027BER				
REF.	ENGLISH DESCRIPTION	DESCRIPTION FRANÇAISE	QTY.	PART#
1	48" snowblower assembly	Souffleuse assemblée 48"	1	501536
2	Chute assembly	Goulotte assemblée	1	501379
3	Drive shaft	Arbre de commande	1	110123
4	Berco decal	Décalque Berco	1	103785
5	Serial number	Numéro de série	1	REF.
6	Made in Canada decal	Décalque Fabriqué au Canada	1	REF.

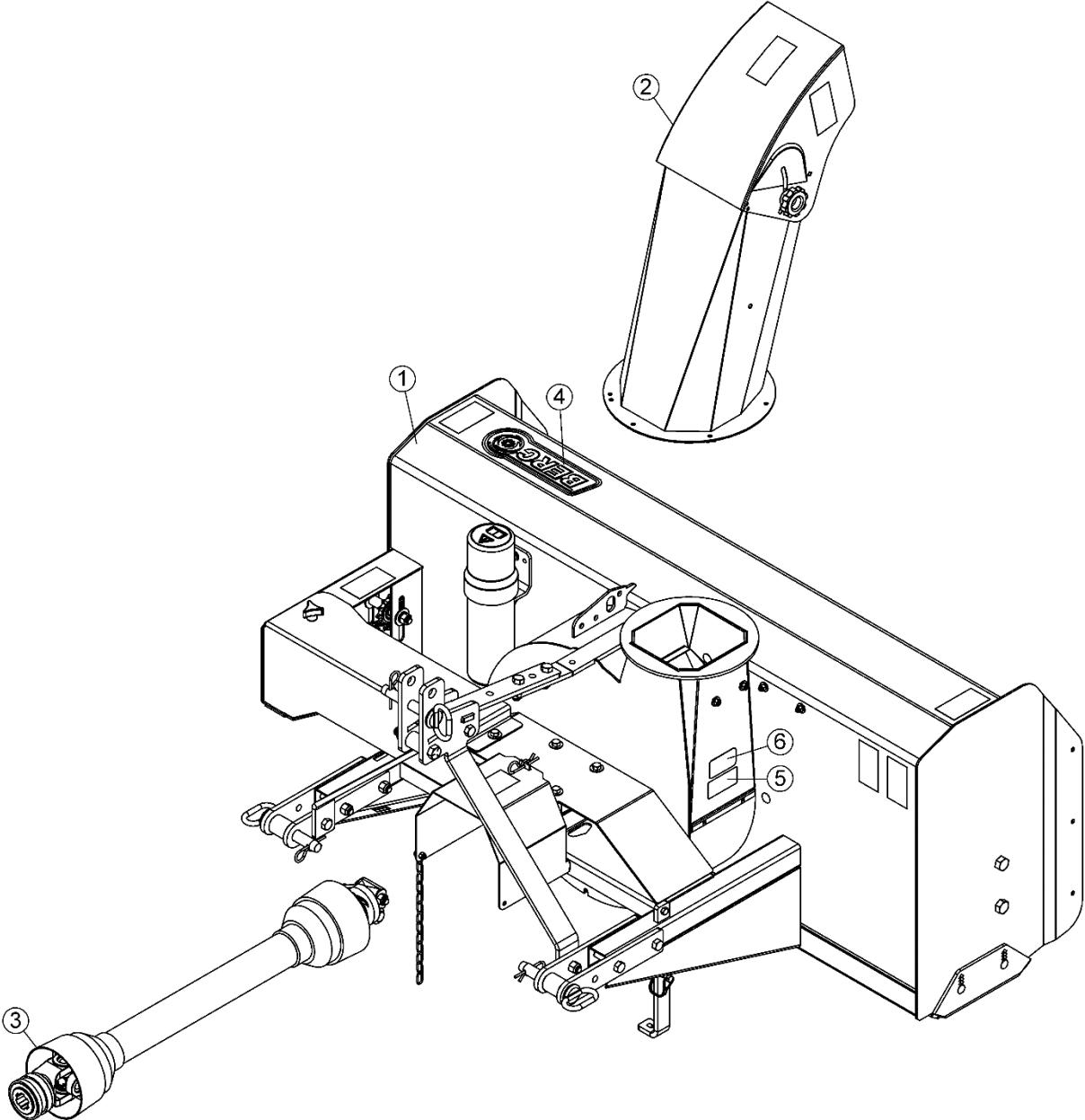
O/L = Obtain Locally / Obtenir localement

Part numbers starting with 500XXX are not available for sale, however, separate parts are available for sale individually.

Les numéros 500xxx ne sont pas disponibles pour la vente. Au besoin, veuillez commander les numéros de pièces séparément.

Parts breakdown

NOMENCLATURE ET LISTE DES PIÈCES / PARTS BREAKDOWN & PART LIST
Souffleuse à neige 3pts 56" usage régulier #701028BER
Snowblower 3pts 56" regular duty #701028BER



Parts breakdown

NOMENCLATURE ET LISTE DES PIÈCES / PARTS BREAKDOWN & PART LIST Souffleuse à neige 3pts 56" usage régulier #701028BER Snowblower 3pts 56" regular duty #701028BER				
REF.	ENGLISH DESCRIPTION	DESCRIPTION FRANÇAISE	QTY.	PART#
1	56" snowblower assembly	Souffleuse assemblée 56"	1	501527
2	Chute assembly	Goulotte assemblée	1	501379
3	Drive shaft	Arbre de commande	1	110123
4	Berco decal	Décalque Berco	1	103785
5	Serial number	Numéro de série	1	REF.
6	Made in Canada decal	Décalque Fabriqué au Canada	1	REF.

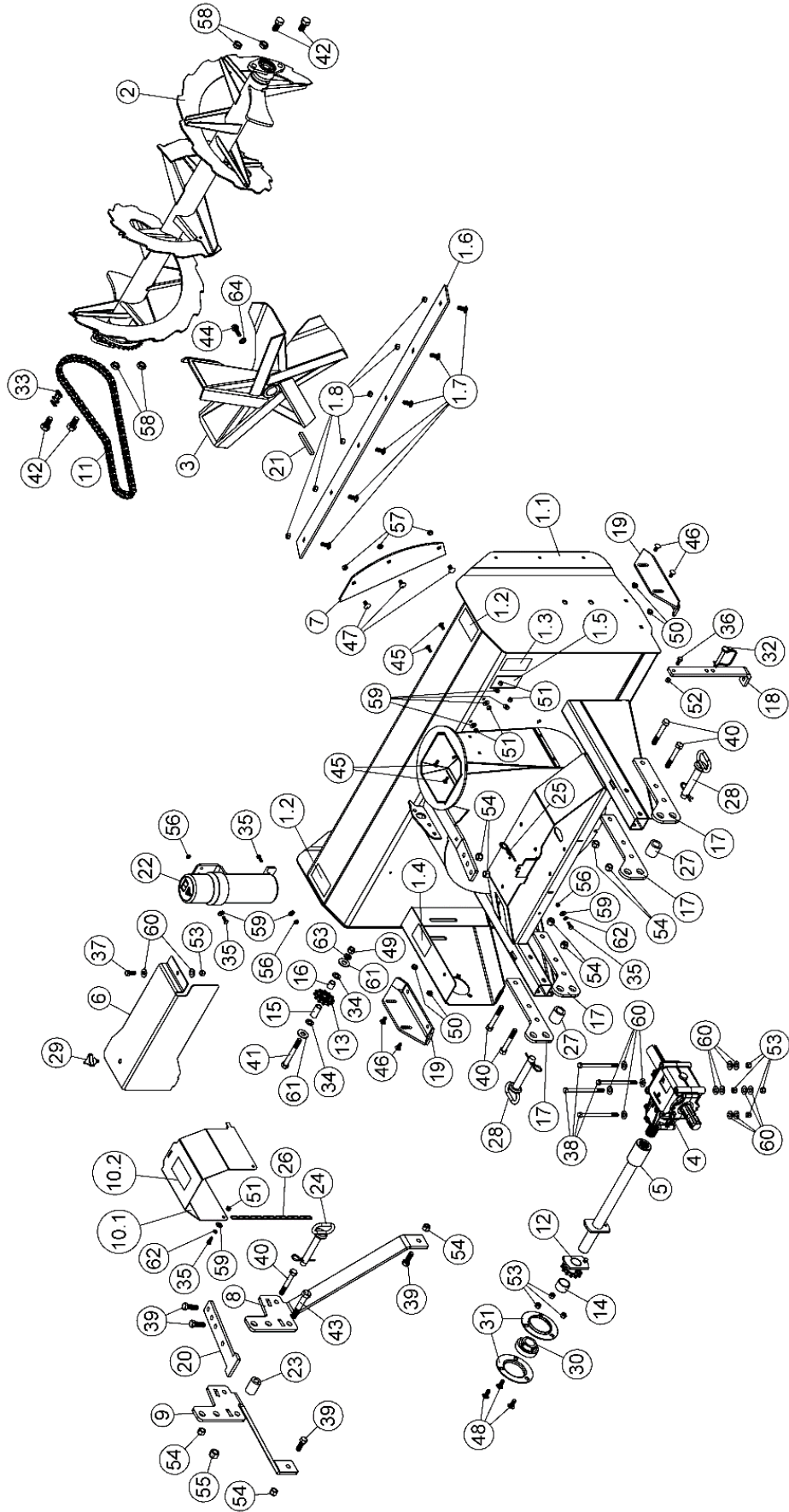
O/L = Obtain Locally / Obtenir localement

Part numbers starting with 500XXX are not available for sale, however, separate parts are available for sale individually.

Les numéros 500xxx ne sont pas disponibles pour la vente. Au besoin, veuillez commander les numéros de pièces séparément.

Parts breakdown

NOMENCLATURE ET LISTE DES PIÈCES / PARTS BREAKDOWN & PART LIST
Souffleuse assemblée 48" #501536
48" snowblower assembly #501536



Parts breakdown

NOMENCLATURE ET LISTE DES PIÈCES / PARTS BREAKDOWN & PART LIST Souffleuse assemblée 48" #501536 48" snowblower assembly #501536				
REF.	ENGLISH DESCRIPTION	DESCRIPTION FRANÇAISE	QTY.	PART#
1	48" Frame #110126-E02 w/ safety decals	Châssis 48"#110126-E02 a/ déc. de sécurité	1	110128
1.1	48" Frame	Châssis 48"	1	110126-E02
1.2	Decal Danger Auger	Décalque Danger Vis	2	108550
1.3	Decal Read Instructions	Décalque lire Instructions	1	108551
1.4	Decal Warning Gear	Décalque Danger Engrenage	1	108555
1.5	Decal Maintenance	Décalque Maintenance	1	108556
1.6	Cutting edge 48"	Racloir 48"	1	110146
1.7	Carriage bolt 3/8" n.c. x 1 " GR5	Boulon à carrosserie 3/8" n.c. x 1 " GR5	6	O/L (320NC.5P_3-8x1)
1.8	Stover lock nut 3/8" n.c.	Écrou de blocage 3/8" n.c.	6	O/L (338NC.P_3-8)
2	48" auger assembly	Vis assemblée 48"	1	501537
3	Fan	Éventail	1	110132
4	Gear Box	Boîte d'engrenage	1	110099
5	Drive shaft 48"	Arbre de commande 48"	1	110133
6	48" shaft guard	Garde de l'arbre 48"	1	110135-E02
7	Reinforcement	Renfort	1	110137
8	Right Lever Arm	Bras de Levier Droit	1	110138
9	Left lever arm	Bras de levier gauche	1	110139
10	Guard #110140 with safety decal	Garde #110140 avec décalque de sécurité	1	110141
10.1	PTO Guard	Garde de PDF	1	110140
10.2	Decal PTO	Décalque PDF	1	108554
11	Chain #50 X 86 links + connecting link	Chaîne #50 x 86 mailles + maille d'acc.	1	110104
12	Sprocket with Shear Pin	Pignon avec Goupille de Cisaillement	1	110101
13	Idler sprocket with bearing	Pignon tendeur avec roulement	1	110102
14	Sleeve	Douille	1	110121
15	Sleeve	Douille	1	110142
16	Sleeve	Douille	1	110143
17	Mounting plate	Plaque d'attache	4	110144
18	Parking stand	Pied de stationnement	1	110145
19	Skid shoe	Patin	2	109890
20	Link	Lien	1	109894
21	Key 3/8 x 3/8 x 3-1/2	Clé 3/8 x 3/8 x 3-1/2	1	106776
22	Manual canister	Boîte à manuel	1	106165
23	Sleeve	Douille	1	106733
24	Pin with hair pin 4mm	Goupille avec goupille à ressort 4mm	1	106736
25	Hair pin 4mm	Goupille à ressort 4mm	1	102054
26	Chain	Chaîne	1	108424
27	Sleeve	Douille	2	106735
28	Pin with hair pin 4mm	Goupille avec goupille à ressort 4mm	2	106738

O/L = Obtain Locally / Obtenir localement

Part numbers starting with 500XXX are not available for sale, however, separate parts are available for sale individually.

Les numéros 500xxx ne sont pas disponibles pour la vente. Au besoin, veuillez commander les numéros de pièces séparément.

Parts breakdown

NOMENCLATURE ET LISTE DES PIÈCES / PARTS BREAKDOWN & PART LIST				
Souffleuse assemblée 48" #501536				
48" snowblower assembly #501536				
REF.	ENGLISH DESCRIPTION	DESCRIPTION FRANÇAISE	QTY.	PART#
29	Knob	Bouton	1	106861
30	Bearing with set screw	Roulement à billes avec vis à pression	1	106371
31	Flangette	Flangette	2	106372
32	Lock pin	Tige de verrouillage	1	103563
33	Connecting link #50	Maille d'accouplement #50	1	104324
34	Spacer	Espaceur	2	110043
35	Hex. bolt 1/4" n.c. x 3/4" GR5	Boulon hex. 1/4" n.c. x 3/4" GR5	4	O/L (300NC.5P_1-4x3-4)
36	Hex. bolt 5/16" n.c. x 3/4" GR5	Boulon hex. 5/16" n.c. x 3/4" GR5	1	O/L (300NC.5P_5-16x3-4)
37	Hex. bolt 3/8" n.c. x 1" GR5	Boulon hex. 3/8" n.c. x 1" GR5	1	O/L (300NC.5P_3-8x1)
38	Hex. bolt 3/8" n.c. x 5 1/2" GR5	Boulon hex. 3/8" n.c. x 5 1/2" GR5	4	O/L (300NC.5P_3-8x5-1-2)
39	Hex. bolt 1/2" n.c. x 1 1/2" GR5	Boulon hex. 1/2" n.c. x 1 1/2" GR5	4	O/L (300NC.5P_1-2x1-1-2)
40	Hex. bolt 1/2" n.c. x 3 1/2" GR5	Boulon hex. 1/2" n.c. x 3 1/2" GR5	5	O/L (300NC.5P_1-2x3-1-2)
41	Hex. bolt 1/2" n.c. x 4 1/4" GR5	Boulon hex. 1/2" n.c. x 4 1/4" GR5	1	O/L (300NC.5P_1-2x4-1-4)
42	Hex. bolt 5/8" n.c. x 1 1/4" GR5	Boulon hex 5/8" n.c. x 1 1/4" GR5	4	O/L (300NC.5P_5-8x1-1-4)
43	Hex. bolt 5/8" n.c. x 3 3/4" GR5	Boulon hex 5/8" n.c. x 3 3/4" GR5	1	O/L (300NC.5P_5-8x3-3-4)
44	Hex. flange bolt 3/8" n.c. x 1 1/4" GR8	Boulon hex. à bride 3/8" n.c. x 1 1/4" GR8	1	O/L (301NC.8P_3-8x1-1-4)
45	Carriage bolt 1/4" n.c. x 3/4 " GR5	Boulon à carrosserie 1/4" n.c. x 3/4" GR5	4	O/L (320NC.5P_1-4x3-4)
46	Carriage bolt 5/16" n.c. x 3/4 " GR5	Boulon à carrosserie 5/16" n.c. x 3/4 " GR5	4	O/L (320NC.5P_5-16x3-4)
47	Carriage bolt 3/8" n.c. x 3/4 " GR5	Boulon à carrosserie 3/8" n.c. x 3/4" GR5	3	O/L (320NC.5P_3-8x3-4)
48	Carriage bolt 3/8" n.c. x 1 " GR5	Boulon à carrosserie 3/8" n.c. x 1 " GR5	3	O/L (320NC.5P_3-8x1)
49	Hex. nut 1/2" n.c.	Écrou hex. 1/2" n.c.	1	O/L (330NC.P_1-2)
50	Flange nut 5/16" n.c.	Écrou à bride 5/16" n.c.	4	O/L (334NC.P_5-16)
51	Nylon Insert lock Nut 1/4" n.c.	Écrou à garniture de nylon 1/4" n.c.	5	O/L (335NC.P_1-4)
52	Nylon Insert lock Nut 5/16" n.c. GR5	Écrou à garniture de nylon 5/16" n.c. GR5	1	O/L (335NC.P_5-16)
53	Nylon Insert Lock Nut 3/8" n.c.	Écrou à garniture de nylon 3/8" n.c.	8	O/L (335NC.P_3-8)
54	Nylon Insert lock Nut 1/2" n.c.	Écrou à garniture de nylon 1/2" n.c.	9	O/L (335NC.P_1-2)
55	Nylon Insert lock Nut 5/8" n.c.	Écrou à garniture de nylon 5/8" n.c.	1	O/L (335NC.P_5-8)
56	Nylon insert lock nut 1/4" n.c. (thin)	Écrou à garniture de nylon 1/4" n.c. (mince)	3	O/L (336NC.P_1-4)
57	Nylon insert lock nut 3/8" n.c. (thin)	Écrou à garniture de nylon 3/8" n.c. (mince)	3	O/L (336NC.P_3-8)
58	Nylon insert lock nut 5/8" n.c. (thin)	Écrou à garniture de nylon 5/8" n.c. (mince)	4	O/L (336NC.P_5-8)
59	Flat washer 5/16" hole	Rondelle plate 5/16" trou	8	O/L (360.P_5-16T)
60	Flat washer 7/16" hole	Rondelle plate 7/16" trou	14	O/L (360.P_7-16T)
61	Flat washer 9/16" hole	Rondelle plate 9/16" trou	2	O/L (360.P_9-16T)
62	Lock washer 1/4"	Rondelle de blocage 1/4"	2	O/L (362.P_1-4)
63	Lock washer 1/2"	Rondelle de blocage 1/2"	1	O/L (362.P_1-2)
64	Wedge lock washer 3/8"	Rondelle de blocage en coin 3/8"	1	O/L (364.Z_3-8)

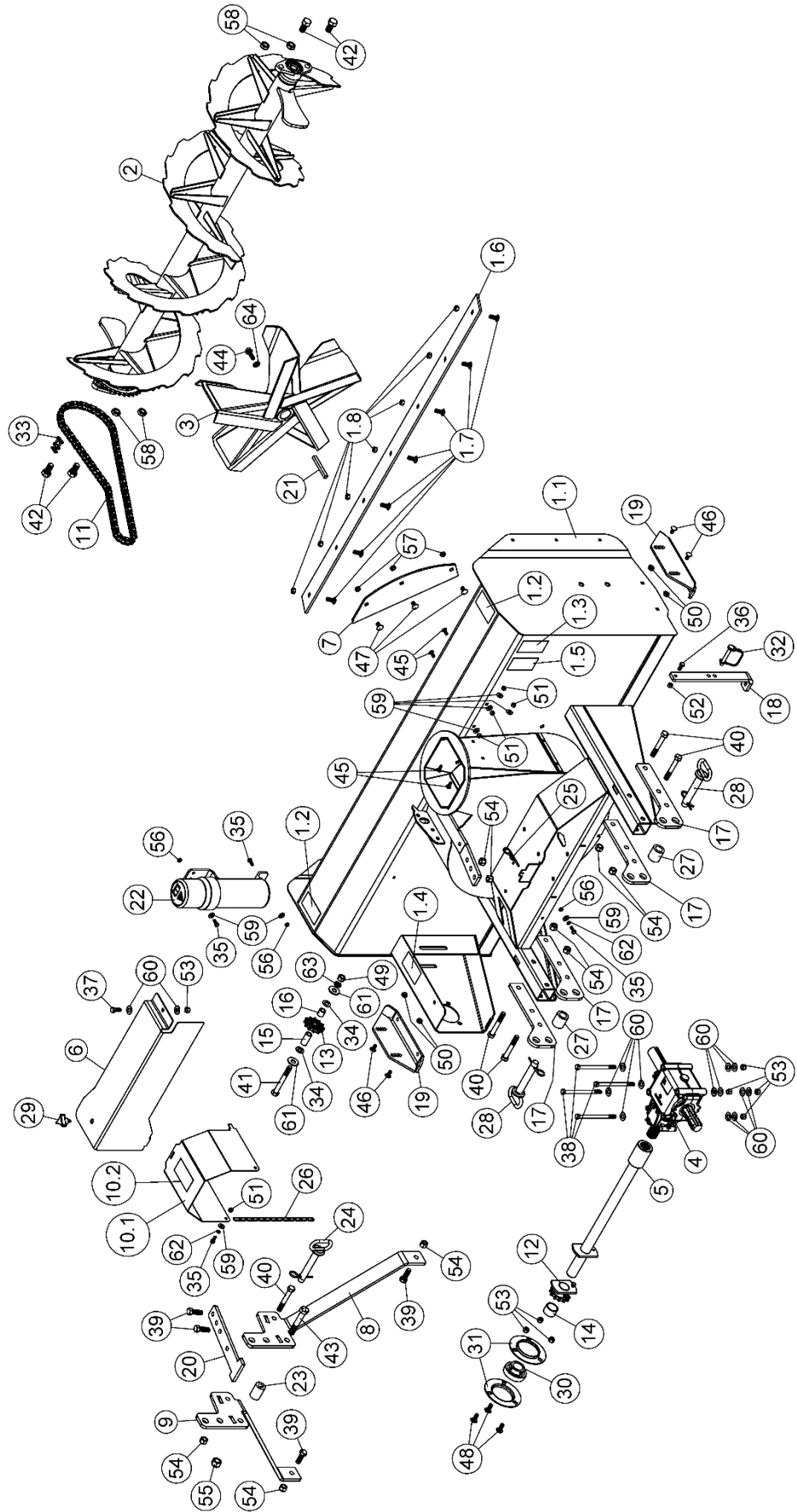
O/L = Obtain Locally / Obtenir localement

Part numbers starting with 500XXX are not available for sale, however, separate parts are available for sale individually.

Les numéros 500xxx ne sont pas disponibles pour la vente. Au besoin, veuillez commander les numéros de pièces séparément.

Parts breakdown

NOMENCLATURE ET LISTE DES PIÈCES / PARTS BREAKDOWN & PART LIST
Souffleuse assemblée 56" #501527
56" snowblower assembly #501527



Parts breakdown

NOMENCLATURE ET LISTE DES PIÈCES / PARTS BREAKDOWN & PART LIST				
Souffleuse assemblée 56" #501527				
56" snowblower assembly #501527				
REF.	ENGLISH DESCRIPTION	DESCRIPTION FRANÇAISE	QTY.	PART#
1	56" Frame #110127-E02 w/ safety decals	Châssis 56" #110127-E02 a/ déc. de sécurité	1	110129
1.1	56" Frame	Châssis 56"	1	110127-E02
1.2	Decal Danger Auger	Décalque Danger Vis	2	108550
1.3	Decal Read Instructions	Décalque lire Instructions	1	108551
1.4	Decal Warning Gear	Décalque Danger Engrenage	1	108555
1.5	Decal Maintenance	Décalque Maintenance	1	108556
1.6	Cutting edge 56"	Racloir 56"	1	110147
1.7	Carriage bolt 3/8" n.c. x 1 " GR5	Boulon à carrosserie 3/8" n.c. x 1 " GR5	7	O/L (320NC.5P_3-8x1)
1.8	Stover lock nut 3/8" n.c.	Écrou de blocage 3/8" n.c.	7	O/L (338NC.P_3-8)
2	56" auger assembly	Vis assemblée 56"	1	501528
3	Fan	Éventail	1	110132
4	Gear Box	Boîte d'engrenage	1	110099
5	Drive shaft 56"	Arbre de commande 56"	1	110134
6	56" shaft guard	Garde de l'arbre 56"	1	110136-E02
7	Reinforcement	Renfort	1	110137
8	Right Lever Arm	Bras de Levier Droit	1	110138
9	Left lever arm	Bras de levier gauche	1	110139
10	Guard #110140 with safety decal	Garde #110140 avec décalque de sécurité	1	110141
10.1	PTO Guard	Garde de PDF	1	110140
10.2	Decal PTO	Décalque PDF	1	108554
11	Chain #50 X 86 links + connecting link	Chaîne #50 x 86 mailles + maille d'acc.	1	110104
12	Sprocket with Shear Pin	Pignon avec Goupille de Cisaillement	1	110101
13	Idler sprocket with bearing	Pignon tendeur avec roulement	1	110102
14	Sleeve	Douille	1	110121
15	Sleeve	Douille	1	110142
16	Sleeve	Douille	1	110143
17	Mounting plate	Plaque d'attache	4	110144
18	Parking stand	Pied de stationnement	1	110145
19	Skid shoe	Patin	2	109890
20	Link	Lien	1	109894
21	Key 3/8 x 3/8 x 3-1/2	Clé 3/8 x 3/8 x 3-1/2	1	106776
22	Manual canister	Boîte à manuel	1	106165
23	Sleeve	Douille	1	106733
24	Pin with hair pin 4mm	Goupille avec goupille à ressort 4mm	1	106736
25	Hair pin 4mm	Goupille à ressort 4mm	1	102054
26	Chain	Chaîne	1	108424
27	Sleeve	Douille	2	106735
28	Pin with hair pin 4mm	Goupille avec goupille à ressort 4mm	2	106738

O/L = Obtain Locally / Obtenir localement

Part numbers starting with 500XXX are not available for sale, however, separate parts are available for sale individually.

Les numéros 500xxx ne sont pas disponibles pour la vente. Au besoin, veuillez commander les numéros de pièces séparément.

Parts breakdown

NOMENCLATURE ET LISTE DES PIÈCES / PARTS BREAKDOWN & PART LIST Souffleuse assemblée 56" #501527 56" snowblower assembly #501527				
REF.	ENGLISH DESCRIPTION	DESCRIPTION FRANÇAISE	QTY.	PART#
29	Knob	Bouton	1	106861
30	Bearing with set screw	Roulement à billes avec vis à pression	1	106371
31	Flangette	Flangette	2	106372
32	Lock pin	Tige de verrouillage	1	103563
33	Connecting link #50	Maille d'accouplement #50	1	104324
34	Spacer	Espaceur	2	110043
35	Hex. bolt 1/4" n.c. x 3/4" GR5	Boulon hex. 1/4" n.c. x 3/4" GR5	4	O/L (300NC.5P_1-4x3-4)
36	Hex. bolt 5/16" n.c. x 3/4" GR5	Boulon hex. 5/16" n.c. x 3/4" GR5	1	O/L (300NC.5P_5-16x3-4)
37	Hex. bolt 3/8" n.c. x 1" GR5	Boulon hex. 3/8" n.c. x 1" GR5	1	O/L (300NC.5P_3-8x1)
38	Hex. bolt 3/8" n.c. x 5 1/2" GR5	Boulon hex. 3/8" n.c. x 5 1/2" GR5	4	O/L (300NC.5P_3-8x5-1-2)
39	Hex. bolt 1/2" n.c. x 1 1/2" GR5	Boulon hex. 1/2" n.c. x 1 1/2" GR5	4	O/L (300NC.5P_1-2x1-1-2)
40	Hex. bolt 1/2" n.c. x 3 1/2" GR5	Boulon hex. 1/2" n.c. x 3 1/2" GR5	5	O/L (300NC.5P_1-2x3-1-2)
41	Hex. bolt 1/2" n.c. x 4 1/4" GR5	Boulon hex. 1/2" n.c. x 4 1/4" GR5	1	O/L (300NC.5P_1-2x4-1-4)
42	Hex. bolt 5/8" n.c. x 1 1/4" GR5	Boulon hex 5/8" n.c. x 1 1/4" GR5	4	O/L (300NC.5P_5-8x1-1-4)
43	Hex. bolt 5/8" n.c. x 3 3/4" GR5	Boulon hex 5/8" n.c. x 3 3/4" GR5	1	O/L (300NC.5P_5-8x3-3-4)
44	Hex. flange bolt 3/8" n.c. x 1 1/4" GR8	Boulon hex. à bride 3/8" n.c. x 1 1/4" GR8	1	O/L (301NC.8P_3-8x1-1-4)
45	Carriage bolt 1/4" n.c. x 3/4 " GR5	Boulon à carrosserie 1/4" n.c. x 3/4" GR5	4	O/L (320NC.5P_1-4x3-4)
46	Carriage bolt 5/16" n.c. x 3/4 " GR5	Boulon à carrosserie 5/16" n.c. x 3/4 " GR5	4	O/L (320NC.5P_5-16x3-4)
47	Carriage bolt 3/8" n.c. x 3/4 " GR5	Boulon à carrosserie 3/8" n.c. x 3/4" GR5	3	O/L (320NC.5P_3-8x3-4)
48	Carriage bolt 3/8" n.c. x 1 " GR5	Boulon à carrosserie 3/8" n.c. x 1 " GR5	3	O/L (320NC.5P_3-8x1)
49	Hex. nut 1/2" n.c.	Écrou hex. 1/2" n.c.	1	O/L (330NC.P_1-2)
50	Flange nut 5/16" n.c.	Écrou à bride 5/16" n.c.	4	O/L (334NC.P_5-16)
51	Nylon Insert lock Nut 1/4" n.c.	Écrou à garniture de nylon 1/4" n.c.	5	O/L (335NC.P_1-4)
52	Nylon Insert lock Nut 5/16" n.c. GR5	Écrou à garniture de nylon 5/16" n.c. GR5	1	O/L (335NC.P_5-16)
53	Nylon Insert Lock Nut 3/8" n.c.	Écrou à garniture de nylon 3/8" n.c.	8	O/L (335NC.P_3-8)
54	Nylon Insert lock Nut 1/2" n.c.	Écrou à garniture de nylon 1/2" n.c.	9	O/L (335NC.P_1-2)
55	Nylon Insert lock Nut 5/8" n.c.	Écrou à garniture de nylon 5/8" n.c.	1	O/L (335NC.P_5-8)
56	Nylon insert lock nut 1/4" n.c. (thin)	Écrou à garniture de nylon 1/4" n.c. (mince)	3	O/L (336NC.P_1-4)
57	Nylon insert lock nut 3/8" n.c. (thin)	Écrou à garniture de nylon 3/8" n.c. (mince)	3	O/L (336NC.P_3-8)
58	Nylon insert lock nut 5/8" n.c. (thin)	Écrou à garniture de nylon 5/8" n.c. (mince)	4	O/L (336NC.P_5-8)
59	Flat washer 5/16" hole	Rondelle plate 5/16" trou	8	O/L (360.P_5-16T)
60	Flat washer 7/16" hole	Rondelle plate 7/16" trou	14	O/L (360.P_7-16T)
61	Flat washer 9/16" hole	Rondelle plate 9/16" trou	2	O/L (360.P_9-16T)
62	Lock washer 1/4"	Rondelle de blocage 1/4"	2	O/L (362.P_1-4)
63	Lock washer 1/2"	Rondelle de blocage 1/2"	1	O/L (362.P_1-2)
64	Wedge lock washer 3/8"	Rondelle de blocage en coin 3/8"	1	O/L (364.Z_3-8)

O/L = Obtain Locally / Obtenir localement

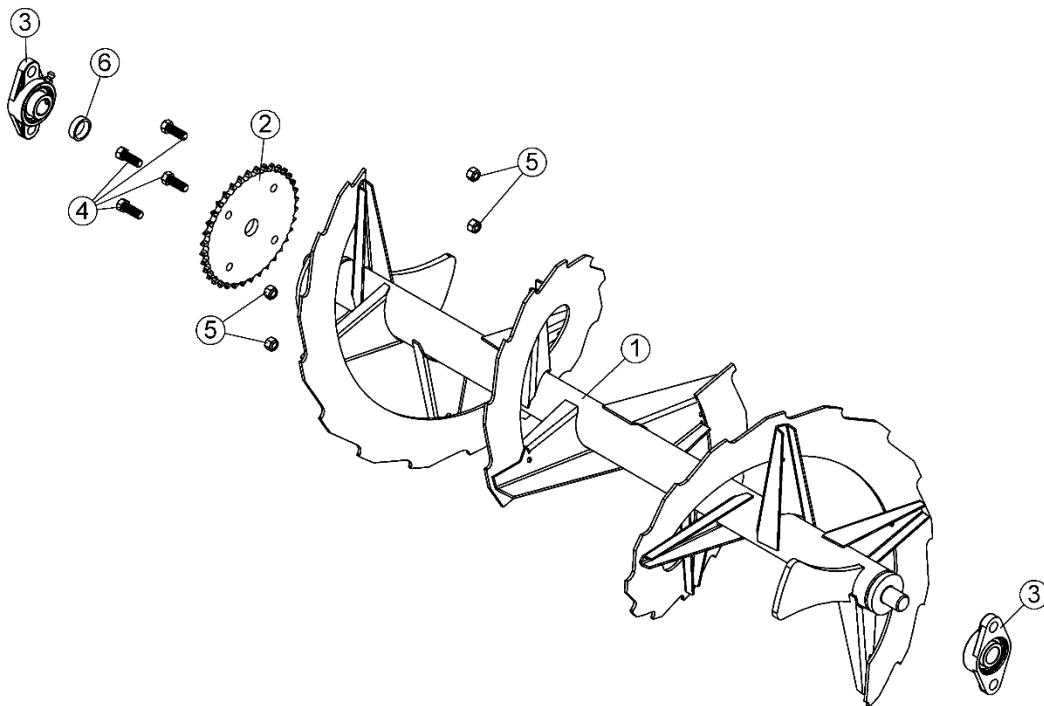
Part numbers starting with 500XXX are not available for sale, however, separate parts are available for sale individually.

Les numéros 500xxx ne sont pas disponibles pour la vente. Au besoin, veuillez commander les numéros de pièces séparément.

Parts breakdown

NOMENCLATURE ET LISTE DES PIÈCES / PARTS BREAKDOWN & PART LIST
Vis assemblée 48" #501537
48" auger assembly #501537

REF.	ENGLISH DESCRIPTION	DESCRIPTION FRANÇAISE	QTY.	PART#
1	Auger 48"	Vis 48"	1	110130
2	Sprocket	Pignon	1	110100
3	Flange Mounted Bearing with set screws	Roulement Appliqué avec vis à pression	2	110103
4	Hex. bolt 7/16" n.c. x 1 1/4" GR5	Boulon hex. 7/16" n.c. x 1 1/4" GR5	4	O/L (300NC.5P_7-16x1-1-4)
5	Nylon Insert lock Nut 7/16" n.c.	Écrou à garniture de nylon 7/16" n.c.	4	O/L (335NC.P_7-16)
6	Spacer	Espaceur	1	107023



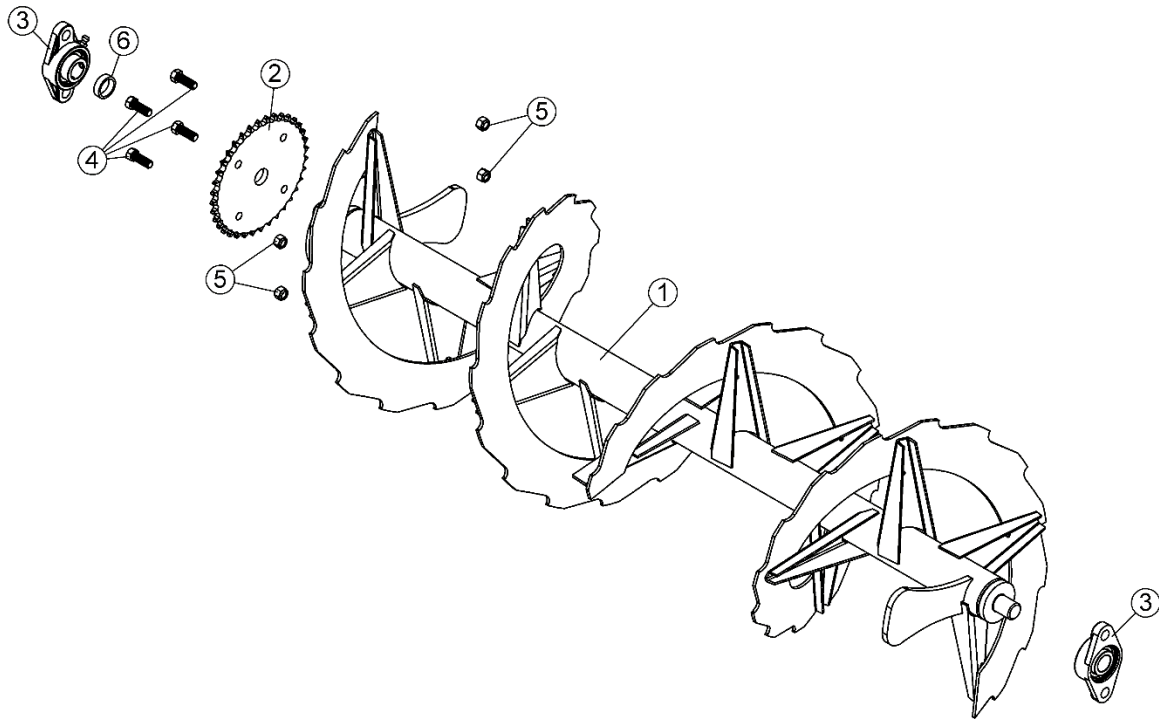
O/L = Obtain Locally / Obtenir localement

Part numbers starting with 500XXX are not available for sale, however, separate parts are available for sale individually.

Les numéros 500xxx ne sont pas disponibles pour la vente. Au besoin, veuillez commander les numéros de pièces séparément.

Parts breakdown

NOMENCLATURE ET LISTE DES PIÈCES / PARTS BREAKDOWN & PART LIST				
Vis assemblée 56" #501528				
56" auger assembly #501528				
REF.	ENGLISH DESCRIPTION	DESCRIPTION FRANÇAISE	QTY.	PART#
1	Auger 56"	Vis 56"	1	110131
2	Sprocket	Pignon	1	110100
3	Flange Mounted Bearing with set screws	Roulement Appliqué avec vis à pression	2	110103
4	Hex. bolt 7/16" n.c. x 1 1/4" GR5	Boulon hex. 7/16" n.c. x 1 1/4" GR5	4	O/L (300NC.5P_7-16x1-1-4)
5	Nylon Insert lock Nut 7/16" n.c.	Écrou à garniture de nylon 7/16" n.c.	4	O/L (335NC.P_7-16)
6	Spacer	Espaceur	1	107023



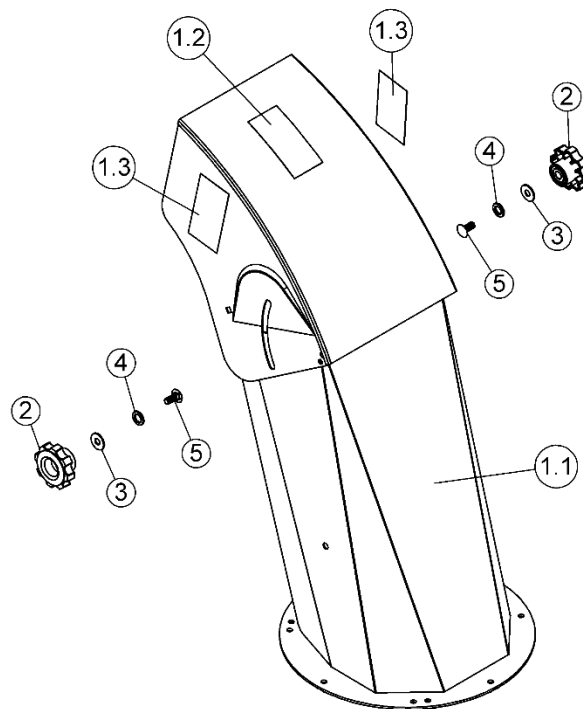
O/L = Obtain Locally / Obtenir localement

Part numbers starting with 500XXX are not available for sale, however, separate parts are available for sale individually.

Les numéros 500xxx ne sont pas disponibles pour la vente. Au besoin, veuillez commander les numéros de pièces séparément.

Parts breakdown

NOMENCLATURE ET LISTE DES PIÈCES / PARTS BREAKDOWN & PART LIST Goulotte assemblée #501379 Chute assembly #501379				
REF.	ENGLISH DESCRIPTION	DESCRIPTION FRANÇAISE	QTY.	PART#
1	Chute #106354 with safety decal	Goulotte #106354 a/ déc. de sécurité	1	108523
1.1	Chute	Goulotte	1	106354
1.2	Decal Danger Chute	Décalque Danger Goulotte	1	108553
1.3	Decal Caution Projections	Décalque Attention Projections	2	108557
2	Knob	Bouton	2	102020
3	Nylon flat washer 11/32"	Rondelle plate de nylon 11/32"	2	102009
4	Nylon flat washer 7/16"	Rondelle plate de nylon 7/16"	2	102011
5	Carriage bolt 5/16" n.c. x 3/4 " GR5	Boulon à carrosserie 5/16" n.c. x 3/4 " GR5	2	O/L (320NC.5Z_5-16x3-4)



O/L = Obtain Locally / Obtenir localement

Part numbers starting with 500XXX are not available for sale, however, separate parts are available for sale individually.

Les numéros 500xxx ne sont pas disponibles pour la vente. Au besoin, veuillez commander les numéros de pièces séparément.

Torque specification table

Torque specification table

TO BE USED WHEN A TIGHTENING TORQUE IS NOT SPECIFIED IN THE TEXT

- The following table shows the minimum torque requirement
- Maximum is 15% more than the minimum (example: min100 Nm -> max is 115Nm)
- If specific thread is not specified in the part list or manual, the bolt thread is coarse
- N m = Newton x meter
- Ft-lb = foot pounds
- If bolt is lubricated, divide the torque value by 1.33

IMPERIAL THREAD														
Nominal Thread Diameter	Thread / inch	UNC						UNF						
		Grade 2		Grade 5		Grade 8		Grade 2		Grade 5		Grade 8		
		N m	Ft-lb	N m	Ft-lb	N m	Ft-lb	N m	Ft-lb	N m	Ft-lb	N m	Ft-lb	
1/4"	20	7.4	5.6	11	8	16	12	28	8.5	6	13	10	18	14
5/16"	18	15	11	24	17	33	25	24	17	13	26	19	37	27
3/8"	16	27	20	42	31	59	44	24	31	22	47	35	67	49
7/16"	14	43	32	67	49	95	70	20	49	36	75	55	105	78
1/2"	13	66	49	105	76	145	105	20	75	55	115	85	165	120
9/16	12	95	70	150	110	210	155	18	105	79	165	120	235	170
5/8	11	130	97	205	150	285	210	18	150	110	230	170	325	240
3/4	10	235	170	360	265	510	375	16	260	190	405	295	570	420
7/8	9	225	165	585	430	820	605	14	250	185	640	475	905	670
1	8	340	250	875	645	1230	910	12	370	275	955	705	1350	995
1-1/8	7	480	355	1080	795	1750	1290	12	540	395	1210	890	1960	1440
1-1/4	7	680	500	1520	1120	2460	1820	12	750	555	1680	1240	2730	2010
1-3/8	6	890	655	1990	1470	3230	2380	12	1010	745	2270	1670	3680	2710

METRIC THREAD														
Nominal Thread Diameter	Pitch (mm)	COARSE THREAD						FINE THREAD						
		Class 5.8		Class 8.8		Class 10.9		Class 5.8		Class 8.8		Class 10.9		
		N m	Ft-lb	N m	Ft-lb	N m	Ft-lb	N m	Ft-lb	N m	Ft-lb	N m	Ft-lb	
M5	0.8	4	3	6	5	9	7	-	-	-	-	-	-	
M6	1	7	5	11	8	15	11	-	-	-	-	-	-	
M8	1.25	17	12	26	19	36	27	1	18	13	28	21	39	29
M10	1.5	33	24	52	39	72	53	0.75	39	29	61	45	85	62
M12	1.75	58	42	89	67	125	93	1.25	58	42	95	70	135	99
M14	2	92	68	145	105	200	150	1.5	99	73	155	115	215	160
M16	2	145	105	225	165	315	230	1.5	155	115	240	180	335	245
M18	2.5	195	145	310	230	405	300	1.5	220	165	350	260	485	355
M20	2.5	280	205	440	325	610	450	1.5	310	230	650	480	900	665
M24	3	480	355	760	560	1050	780	2	525	390	830	610	1150	845
M30	3.5	960	705	1510	1120	2100	1550	2	1060	785	1680	1240	2320	1710

LIMITED WARRANTY

Conditions and Products Covered:

BERCOMAC guarantees any part of the product or accessory manufactured by BERCOMAC and found in the reasonable judgment of BERCOMAC to be defective in material and or workmanship will be repaired or replaced by an authorized dealer without charge up to our maximum labor rates and pre-established times. For replacement parts only standard ground freight services are covered. This warranty extends to the original retail purchaser only and is not transferable to any subsequent purchasers. This warranty applies to the products bought and used in North America.

Warranty Period

(from date of the original retail purchase)

- Residential use: 2 years
- Semi-commercial, professional or rental use: 90 days

Exceptions Noted Below; the following items are guaranteed by the original manufacturer and have their own warranty, conditions and limited time:

- Tire Chains: 90 days
- Engines: Will vary as per the manufacturer
Please refer to the engine manufacturer's warranty statement included with the unit. BERCOMAC is not authorized to handle warranty adjustments on engines.

Items and Conditions NOT Covered:

This warranty does not cover the following:

- Pick-up or delivery charges or in-home services fees.
- Any damage or deterioration of the unit, parts and or finish of these due to normal use, wear and tear, or exposure.
- Cost of regular use or maintenance service or parts, such as gas, oil, lubricants, tune-up parts, and adjustments.
- Any part or accessory which has been altered, modified, misused, neglected, accidentally damaged or not properly installed, maintained, stored or repaired not in accordance with the instructions in the owner's manual.
- Repair due to normal wear and or any wear items such as shear pins, bolts, belts, etc.
- Expedited freight fee services for replacement parts.
- Shear bolts and shear pins are to be considered as a preventive measure not as an assured protection, any damages resulting from the lack of shear bolts breakage are not covered.
- Damages due to product being installed on a vehicle other than stipulated in owner's manual.

NOTE: All warranty work must be performed by an authorized dealer using original (manufacturer) replacement parts.

NOTE: Bercomac reserves the right to change or improve the design of any part or accessory without assuming any obligation to modify any product previously manufactured.

Instructions for Obtaining Warranty Services:

Contact dealer where equipment was purchased or any other BERCO service dealer to arrange service at their dealership. Requests for warranty claims must be carried out through the same distribution network used to purchase the product.. Don't forget to bring your proof of purchase (sales receipt) to the BERCOMAC dealer.

Owner's Responsibilities:

BERCOMAC's defective equipment or part must be returned to an authorized dealer within the warranty period for repairs. In the event that defective merchandise must be returned to manufacturer for repairs, freight fees are prepaid and a written authorization from BERCOMAC must be obtained by dealer prior to the shipment. This warranty extends only to equipment operated under normal conditions. To validate a warranty claim, it is the user's responsibility to maintain and service the unit as specified in the owner's manual or to have the unit serviced at their dealer at their expense.

General Conditions:

The sole liability of BERCOMAC with respect to this warranty shall be strictly and exclusively repair and replacement as mentioned herein. BERCOMAC shall not have any liability for any other costs, loss or damage, including but not limited to, any incidental or consequential loss or damage. Taking advantage of the warranty does not in any way extend the length or renewal of the warranty.

In particular, without being limited to, BERCOMAC shall have no liability or responsibility for:

- Travel time, overtime, after hours time or other extraordinary repair charges or relating to repairs and or replacements outside of normal business hours.
- Rental of like or similar replacement equipment during the period of any, repair or replacement work.
- Any communicating or travel charges.
- Loss or damage to person or property other than that covered by the terms of this warranty.
- Any claims for lost revenue, lost profit or any similar costs as a result of damage or repair.
- Attorney's fees.

BERCOMAC's responsibility in respect to claims is limited to making the required repairs or replacement without charge up to our maximum labor rates and pre-established times and no claim of breach of warranty shall be cause for cancellation or rescission of the contract of sale of any product or accessory. In no event recovery of any kind be greater than the amount of the purchase price of the product sold.

This warranty gives you specific legal rights. You may also have other rights, which vary from state to state.



***WHEN PERFORMANCE
& DEPENDABILITY
ARE NON NEGOTIABLE!***

**Bercomac Limitée
92, Fortin North, Adstock, Quebec, Canada, G0N 1S0**

WWW.BERCOMAC.COM

PRINTED IN CANADA

(ORIGINAL NOTICE)