



OWNER'S MANUAL

Model number

701136 72" snowblower

701137 80" snowblower



BERCO

72" & 80" front-mounted utility snowblower

*ASSEMBLY

*REPAIR PARTS

*OPERATION

*MAINTENANCE

CAUTION:

**READ & FOLLOW ALL SAFETY RULES & INSTRUCTIONS BEFORE
OPERATING YOUR EQUIPMENT**



Table of contents

Table of contents

Introduction	1	Pre-Start Operation.....	18
Important safety information	2	Tractor shut down.....	18
Safety alert symbol/Signal words/Safety messages	2	Hook-up accessory	18
Safety Decals	5	Unhook accessory	18
Assembly & initial set-up	7	To direct the snow when removing	18
Tractor requirements	7	Snow removal	18
Reception	7	Clean a blockage	19
General assembly instructions	7	Adjustments.....	20
Accessory Assembly.....	8	Parking stand on the snowblower	20
Installation of the power transmission shaft (half driveline) and the guard.....	8	Lower the parking stand:	20
Installation of the chute rotation motor	9	Raising the parking stand:.....	20
Installation of the chute	9	Chute deflector.....	20
Adjustment of the hydraulic motor	10	Chute Rotation	21
Installation of the centering guide	10	Skid Shoe adjustment.....	21
Installation of the manual canister	10	Troubleshooting.....	22
Installation of the hydraulic hoses	11	Maintenance & Lubrication	23
Assembly options	11	Maintenance Schedule	23
Initial set-up.....	11	Cutting edge maintenance	23
Hook and un-hook accessory	12	Gear box Maintenance	23
Getting ready for installation	12	Greaseable bearings.....	23
Hooking & Un-hooking	12	Shear bolt sprocket hub	23
METHOD 1: Hooking snowblower on subframe: ...	13	Chain.....	24
METHOD 1 : Unhooking snowblower from subframe:	15	Replacing shear bolts for the fan and auger:	24
METHOD 2 : Hooking subframe with snowblower on tractor:	15	Chain adjustment:	24
METHOD 2 : Unhooking the snowblower with subframe from the tractor:	16	Chain replacement:	24
MID PTO assembly.....	16	Storage and transportation	25
Purging the hydraulic system	16	Long-Term Storage	25
Operating instructions	17	Transportation.....	25
Safety precaution	17	Specifications	26
Controls and display	18	Parts breakdown.....	27
Operating instructions.....	18	Torque specification table	43
		Warranty.....	44

Introduction

Introduction

To the purchaser

This new accessory was carefully designed to give years of dependable service. This manual has been provided to assist in the safe operation and servicing of your attachment.

All photographs, illustrations and information in the manual may not necessarily depict the actual models or attachments, but are intended for reference only and are based on the latest product information available at the time of publication.

Familiarize yourself fully with the safety recommendations, assembly, operating procedures, adjustments, troubleshooting, and maintenance before putting the machine to use. It's a necessity for all operators to carefully read, understand and follow these recommendations and insist that they be followed by those who will use this attachment. This manual should be kept for future reference.

Please check if you have received all the parts for your kit with the list of the bag and the list of the box.

Serial number

If applicable, record the serial number and purchase date of your attachment in the section reserved below. Your dealer will require this information to give you prompt, efficient service when ordering replacement parts. Use only genuine parts when replacements are required.

If applicable, the location of the serial number on the accessory is shown in the parts breakdown & part list section of this manual.

SERIAL NUMBER _____ **MODEL NUMBER** _____

PURCHASE DATE _____

If warranty repairs are required please present this registration booklet and original sales invoice to your selling dealer for warranty service.

Terminology

- "Accessory" is used as a general word to describe the product covered in this manual.
- The "right" and "left" side is determined by sitting in the driver's seat facing forward.
- "Vehicle" is a general term to describe the vehicle (tractor, atv, utv, garden tractor,...) the accessory is installed

Further Assistance

If you need any assistance in understanding the information given in the manual and other concerns regarding operation of the machine or for repair parts, safety decals,...

1. Ask your dealership's service representative.
2. If you are not satisfied, seek for general manager of dealership or service manager.
3. If you are still not satisfied, contact us at the address specified on the back page of this manual.

Application

The snowblower is designed to remove snow from driveways or a parking lot.

Important safety information

Safety alert symbol/Signal words/Safety messages

These are common practices that may or may not be applicable to the product described in this manual.

SAFETY ALERT SYMBOL



THIS SAFETY ALERT SYMBOL IDENTIFIES AN IMPORTANT SAFETY MESSAGE IN THIS MANUAL THAT HELPS YOU AND OTHERS AVOID PERSONAL INJURY OR EVEN DEATH. DANGER, WARNING, AND CAUTION ARE SIGNAL WORDS USED TO IDENTIFY THE LEVEL OF HAZARD. HOWEVER, REGARDLESS OF THE HAZARD, BE EXTREMELY CAREFUL.

- ⚠ DANGER:** Signals an extreme hazard that will cause serious injury or death if recommended precautions are not followed.
- ⚠ WARNING:** Signals a hazard that may cause serious injury or death if the recommended precautions are not followed.
- ⚠ CAUTION:** Signals a hazard that may cause minor or moderate injury if the recommended precautions are not followed.

PREPARATION FOR USE

All operators, no matter how experienced they may be, should read and understand this and other manuals related to the vehicle and accessory before operating. It is the owner's legal obligation to instruct all operators in safe operation of the accessory to prevent injury or death. Improper use of the accessory can cause serious injury or death.

- Read and understand this owner's manual carefully. Be thoroughly familiar with the controls and proper use of the vehicle and accessory. Know how to stop the unit and handle the controls quickly in case of emergency.
- Read and understand the "Safety Decals" section, read all instructions noted on them or/and in the "Safety Decals" section.
- Never allow children to operate the vehicle nor the accessory. Never allow adults to operate or maintain the vehicle nor the accessory without proper instructions. Local regulations restrict the age of the operator.
- Children are often attracted to accessories. Never assume children will stay in place where you have last seen them. Keep children under surveillance of a responsible adult at all times.
- No one should operate the vehicle nor the accessory while intoxicated or while taking medication that impairs the senses or reactions. The operator should, if taking medication, seek medical advice on whether he/she can safely operate the equipment.
- Keep the area of operation clear of all people, particularly small children.
- Never start or operate the accessories except from the operator's seat.
- Prepare for emergencies. Be prepared if a fire starts. Keep first aid kit and fire extinguisher handy. Keep emergency phone numbers (doctor, ambulance, etc) near a phone.
- Thoroughly inspect the area where the accessory is to be used and remove door mats, wires, and other foreign objects .
- For motorized accessories, disengage all clutches and shift into neutral before starting engine.
- Do not operate or maintain the accessory without wearing adequate clothing and safety equipment. (glasses, muffs, earplugs, mask...) Wear footwear that will improve footing on slippery surfaces. Prolonged exposure to loud noise can cause hearing impairment or hearing loss.
- Clothing should be snug without fringes and pull strings to avoid entanglement with moving parts.
- Avoid wearing radio headphones while operating.

Important safety information

- Handle fuel with care, it is highly flammable and vapors are explosive.
 - a) Extinguish all cigarettes, cigars, pipes and other sources of ignition.
 - b) Use approved fuel container.
 - c) Never add fuel to a running engine or hot engine.
 - d) Fill fuel tank outdoors with extreme care. Never fill fuel tank indoors.
 - e) Never fill containers inside a vehicle, on a truck or a trailer bed with a plastic liner. Always place containers on the ground, away from your vehicle, before filling.
 - f) When possible, remove gas-powered equipment from the truck or trailer and refuel it on the ground. If this is not possible, then refuel such equipment on a trailer with a portable container, rather than directly from a gasoline dispenser nozzle.
 - g) Keep the nozzle in contact with the rim of the fuel tank or container opening at all times, until refueling is complete. Do not use a nozzle lock-open device.
 - h) Never overfill fuel tank. Replace fuel cap securely and wipe up spilled fuel.
 - i) If fuel is spilled on clothing, change clothing immediately.
- Never attempt to make any adjustments while the engine (motor) is running (except when specifically recommended by manufacturer).
- Let the vehicle and accessory adjust to outdoor temperatures before using.
- Always make sure to have safe traction on the vehicle by using the recommended accessories (chains, tracks, counterweights...). See operation section.
- Always make sure all components are correctly installed. (driveline securely attached and locked at both ends, belts properly installed...)
- Never modify the accessory or any part without the written consent from the manufacturer. Use only options/accessories approved by the manufacturer
- Avoid underground utilities. If the accessory digs into the ground, always contact your local utility companies (electrical, water, gas,...) before digging to know where you can dig.
- Exercise extreme caution when operating on or crossing gravel drives, walks or roads. Stay alert for hidden hazards such as traffic, fences, trees, buildings, wires, etc.
- After striking a foreign object, stop the engine (motor), disconnect the wire from the spark plug(s) and keep wire away to prevent accidental starting. Thoroughly inspect the accessory for any damage and repair damage before restarting and using the accessory.
- If the unit should start to vibrate abnormally, stop the engine (motor) and check immediately for the cause. Vibration is generally a warning of trouble. Do not use equipment until properly repaired.
- Take all possible precautions when leaving the operator's seat. Disengage the power take-off, lower the accessory, place the transmission into neutral, set the parking brake, stop the engine and remove the ignition key to prevent unauthorized starting then wait for all components to come to a complete stop before leaving operator's seat.
- Do not run the engine indoors, except when starting the engine and for transporting in or out of the building. Do not operate or let motor run in a storage area without ventilation because gas contains carbon monoxide which is odorless, colorless and can cause death.
- Never use the accessories across the face of slopes. Go from top to bottom. Exercise extreme caution when using equipment on slopes, on wet ground or near a drop-off. Do not attempt to use accessory on a steep slope.
- Never tolerate bystanders in the working zone or between the vehicle and accessory while hooking-up the accessory.
- Never operate the accessory at high transport speeds. Move and turn vehicle at low speeds during operation. Be cautious when backing up.
- Do not carry or lift passengers on vehicle or accessory.
- Disengage power to the accessory when it is transported or not in use.
- Never operate the accessory without good visibility or light.
- Keep the accessory away from heat sources or flames.
- Never use accessory if it has been dropped or damaged. Repair if necessary before re-using.
- Never use an accessory without proper guards, plates, or other safety protective devices in place

OPERATION:

- Do not put hands or feet near, under or inside rotating parts or any power driven parts

Important safety information

TRANSPORT

- Review Transport Safety instructions in the vehicle manual before moving or hauling.
- Check with local authorities regarding transport on public roads and off road. Comply to all applicable laws and regulations.
- Make sure all lights and reflectors that are required by the local highway and transport authorities (example : SMV (Slow Moving Vehicle), flashing warning light) are in place, are clean, and can be seen clearly by all overtaking and oncoming traffic. Turn on flashing warning light whenever on a highway, except where such is prohibited by law.
- Never have the equipment in operation during transport.
- Always travel at a safe and slow speed to allow adequate steering control and stopping
- Always drive with accessory low to the ground but high enough to avoid any contact with road or any foreign objects during transportation
- Avoid any contact with any overhead power line.
- Never drive the accessories across the face of slopes. Go from top to bottom or bottom to up
- Engage parking brake when stopped on an incline
- Allow for the accessory length when making turns.

MAINTENANCE AND ADJUSTMENT

- When cleaning, repairing or inspecting the vehicle and accessory: park on a solid level ground (in a clean dry area), disengage drives, lower implement, set parking brake, stop the engine, remove ignition key, and wait that all moving parts have stopped and cooled. For gasoline engine, disconnect wire from the spark plug(s) and keep wire away to prevent accidental starting.
- Allow the accessory to cool before working on it
- Use a jack and support blocks to support equipment when required. Carefully release pressure from equipment with stored energy.
- Check all the bolts and components at frequent intervals to make sure that they are properly tightened and in safe working condition.
- When inflating tires, stand on one side NOT in front or over the tire assembly. Use a safety cage if available.
- Remove grease, oil, or debris build-ups.

Remove all tools and unused parts from equipment before operation.

- Disconnect battery ground cable (-) before servicing or adjusting electrical systems or before welding on implement
- Replace parts on this accessory with genuine part only.
- Understands maintenance and adjustment procedure, see adjustment and maintenance section of the owner's manual.
- Never work or walk under the accessory unless securely blocked. Otherwise accessory can fall.
- Visually check for hydraulic leaks and broken, missing, or malfunctioning parts and make necessary repairs before applying pressure to the system. Do the same validation after applying pressure to the system (use a piece of cardboard not your hands to detect leaks).
- Escaping hydraulic oil under pressure can have sufficient force to penetrate skin, causing serious personal injury. If injured by escaping fluid, obtain medical treatment immediately.
- Wear protective gloves and safety glasses or goggles when working with hydraulic system.
- Before disconnecting hydraulic line or performing work, relieve all hydraulic pressure

STORAGE



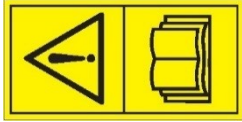


- Never store a motorized accessory with fuel in the fuel tank inside a building where ignition sources are present such as hot water and space heaters, clothes dryers, and the like. Allow the engine to cool before storing in any enclosure.
- Always refer to the owner's manual when you store the accessory and vehicle for a prolonged or an unspecified length of time.
- Maintain or replace safety and instruction labels, as necessary.
- For winter accessories, (if applicable), let the engine run for a few minutes after clearing snow in order to prevent the rotary parts from freezing.
- Always refer to operator's manual for important details if the accessory is to be stored for an extended period
- Store the accessory in an area where children normally do not play. Secure the implement using blocks and supports and secure any pointy or sharp edges.

Important safety information




Safety Decals

Read and understand all instructions/explanations noted on decals or/and in the “Safety Decals” section.

- Keep the safety decals clean and visible.
- For decal location see part list section of this manual
- Replace decals if decals are missing or illegible.
- To buy new decals, see the “further assistance” section in the introduction section of this manual.
- To Install new labels
 - If the decal is located on a riveted panel and this panel needs to be replaced call consumer support for more specific instruction. If the riveted panel still in good condition, follow the next step.
 - Deeply clean area where the label will be installed (remove any grease, rust, dust,...)
 - Peel the decal and install at the proper location (see part list) by pressing on the decal.
 - Remove any bubbles under the decal.

Symbol	Decal #	Description
	#108550	To avoid serious injury or death: Keep hands, feet & clothing away from rotating auger while the tractor’s engine is running. Shut off engine and remain clear of the machine until all moving parts come to a complete stop
	#108553	To avoid serious injury: Keep hands out of this discharge chute while the tractor’s engine is running. Shut off engine and remain clear of the machine until all moving parts come to a complete stop
	#108551	Before installing or using: Locate, read and make sure to understand all of the owner’s manual.
	#108556	Before doing any maintenance: Remove Key, Locate, read and make sure to understand all of the owner’s manual before servicing.
	#108554	To avoid serious injury: Keep people and clothing away. Do not operate without all driveline, tractor and equipment shields in place, or without the drivelines securely attached at both ends.

Important safety information

 <p>108555</p>	<p>#108555</p>	<p>To avoid serious injury:</p> <p>Keep hand & clothing away from rotating gear while the hydraulic motor is connected. Always use the snowblower with all the guards in place.</p>
	<p>#108557</p>	<p>To avoid serious injury or death from thrown objects:</p> <p>Keep people away from the discharge area during operation and keep others away.</p>
	<p>#109483</p>	<p>Decal Proposition 65</p>

Assembly & initial set-up

Tractor requirements

The tractor must be equipped with the subframe #701138 as well as an adapter kit (depending on your tractor model) (follow the instructions in the subframe manual for installation of these).

WARNING

To avoid serious injury or death caused by vehicle overturn:

Operate only with tractor equipped with an approved rollover-protective structure (ROPS) or ROPS cab and seat belt. Foldable ROPS must be kept up at all times. Fasten seatbelt snugly and securely.

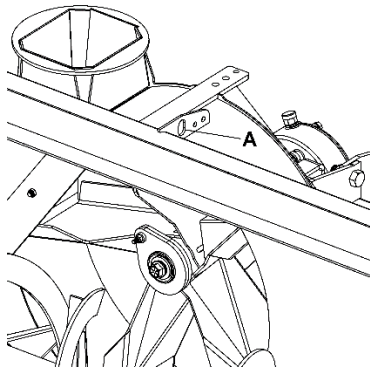
Reception

CAUTION

To avoid serious injury :

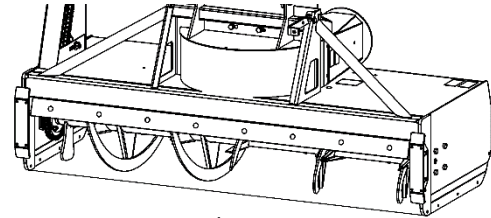
Keep Clear. The accessory can flip forward or backward suddenly causing serious injury while removing the accessory from packaging.

1. Remove the protective cover from the wooden box.
2. Disassemble the wooden box.
3. Unbolt the accessory by removing all fasteners that hold it in place in the wooden box.
4. Using a winch, forklift, or other lifting device, attach a chain to the snowblower at location A



5. Lift the snowblower off the base of the wooden box.

6. Lower the snowblower by rotating it forward so that the front of the snowblower is in contact with the ground. As illustrated:



Ground

7. Proceed to install the transmission driveline (see assembly section of the manual)
8. Slowly raise the snowblower, paying attention to the pivoting of the blower until the snowblower has repositioned on the skid shoes, on the ground.
9. Remove chain from the snowblower.
10. Proceed to the installation of the chute (see assembly section) Note: once the chute installed, do not put a chain in the same location as previously done, as this could break the chute.

General assembly instructions

WARNING

THIS ACCESSORY AND ALL OPTIONS ARE HEAVY!

To avoid risk of strain injury, NEVER lift the accessory or any options by hand alone when handling the components or assembly. Use proper lifting device and seek assistance.

When accessory is off the ground, NEVER be underneath the accessory. Serious injury including possibility of death could occur if accessory were to drop suddenly.

Always wear protective shoes and appropriate gloves when manipulating or using this equipment.

- Unless otherwise specified, torque all bolts to "torque specification table" (see table of content for page number)
- Refer to parts breakdown (available on website) for part identification.

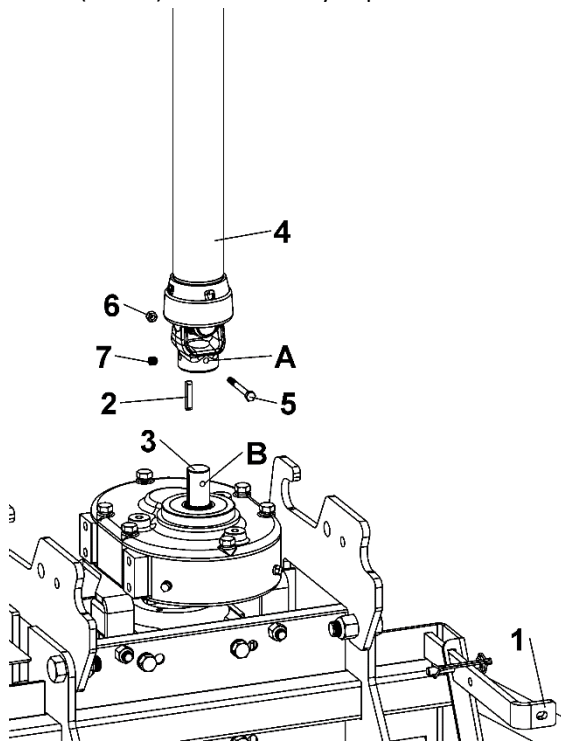
Assembly & initial set-up

Accessory Assembly

Installation of the power transmission shaft (half driveline) and the guard

Before to begin, the snowblower should be face down to the ground as indicated in the previous section.

- A. Lower the parking stand (item 1). (See adjustment section for more details)
- B. Insert the key (item 2) in the input shaft (item 3) on the snowblower.
- C. Insert the half drive line (item 4) on the input shaft (item 3) and align the holes together.
- D. Insert the hex bolt 1/4" n.c. x 2 1/2" (item 5) to secure the driveline (item 4, hole A) in the snowblower's input shaft (item 3 holes B) and secure with a nylon insert lock nut (item 6). Tighten the set screw (item 7) to hold the key in place.

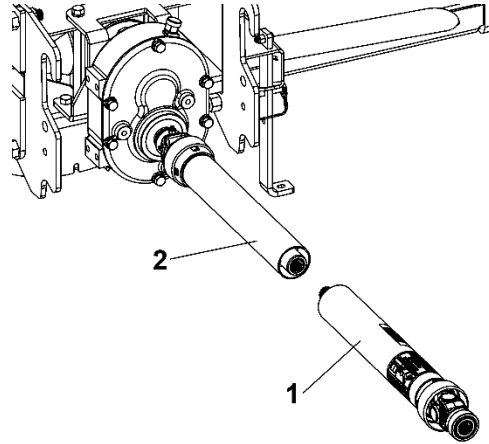


⚠ WARNING

To avoid serious injury or death:

This shaft turns up to 2000 RPM. If the collar is not locked onto the subframe shaft, or if the yoke at the end of the snowblower is not secured properly, the driveline can fly loose with great force capable of causing serious injury or death.

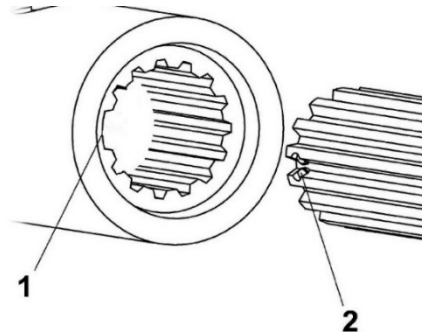
- E. Turn the snowblower back on the parking stand following the instructions in the sub-section of reception and assembly & initial set-up.
- F. Assemble the half drivelines (item 1 & 2) making sure the grooves are well aligned.



- G. Install the male section of the driveline into the snowblower's driveline by aligning the stamped mark (item 2) (located between the splines at the end of the shaft) with the large groove (item 1) in the hollow tube of the snowblower's shaft.

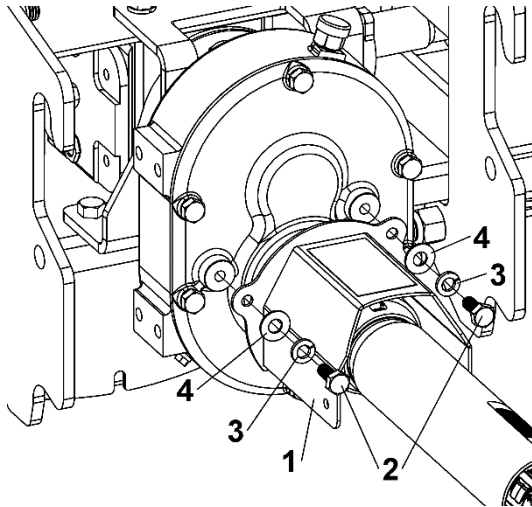
NOTE: Only one position allows the shafts to be inserted one into the other.

IMPORTANT: Incorrect assembly of the drivelines will cause vibrations which will diminish the effectiveness of the accessory and damage the components.



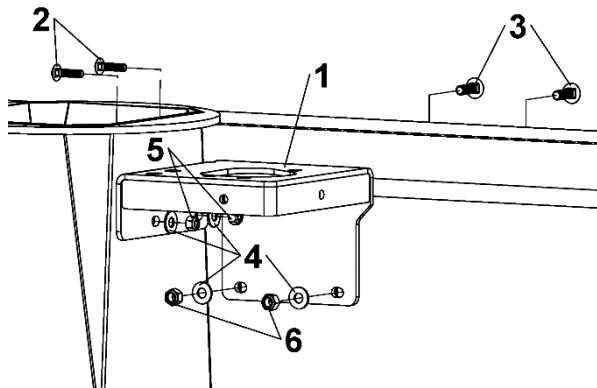
- H. Install the guard (item 1) using two hex bolts M10 x 1.50 x 25 (item 2), two 7/16" lock washers (item 3) and two 7/16" flat washers (item 4).

Assembly & initial set-up

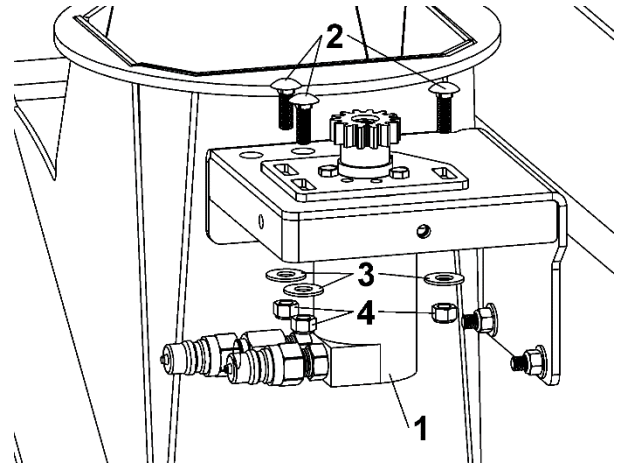


Installation of the chute rotation motor

- A. Install the motor support (item 1) using two carriage bolts 1/4" n.c. x 1" (item 2), two carriage bolts 5/16" n.c. x 1" (item 3), four 5/16" flat washers (item 4), and two nylon insert lock nuts 1/4" (item 5) and two nylon insert lock nuts 5/16" (item 6).



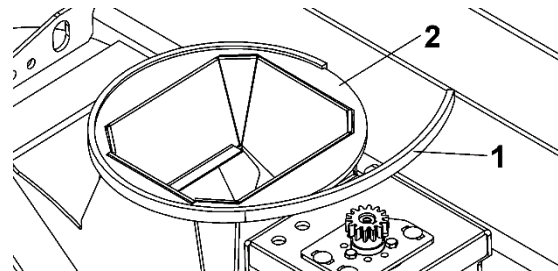
- B. Insert the motor assembly (item 1) in the motor support. Secure it with three carriage bolts 5/16" n.c. x 1" (item 2), three 3/8" flat washers (item 3) and three nylon insert lock nuts (item 4). **Do not tighten yet.**



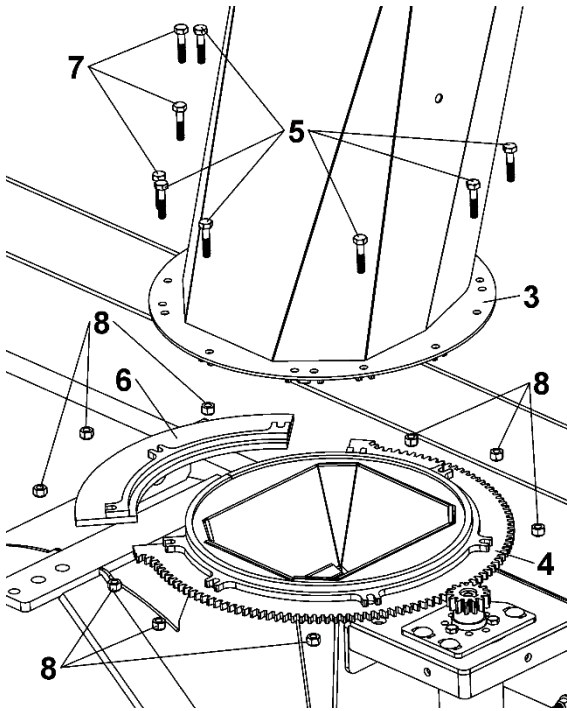
Installation of the chute

- A. Wrap the rotation ring (item 1) (groove inside) around the edge of the discharge chute (item 2) as shown.
- B. Place the chute (item 3) (opening facing forward) over the rotation ring.
- IMPORTANT:** The ring must be inside the base of the chute. It is the chute that will hold the rotation ring in place.
- C. On the left side of snowblower, install the grooved rotation ring (item 4) under the chute as shown. Secure the chute and rotation ring in place with six hex bolts 1/4" n.c. x 1 1/4" (item 5) and nuts as shown. Do not tighten too firmly.
- D. On the right side of the snowblower, install the other half of rotation ring (item 6) under the chute as shown.
- E. Secure the chute and rotation ring in place with three hex bolts 1/4" n.c. x 1 1/4" (item 7) and nylon insert lock nuts (item 8) (as shown). Do not tighten the nuts too firmly.

NOTE: Nuts that are too tight might prevent the chute from rotating side to side. Only a slight pressure is necessary.



Assembly & initial set-up

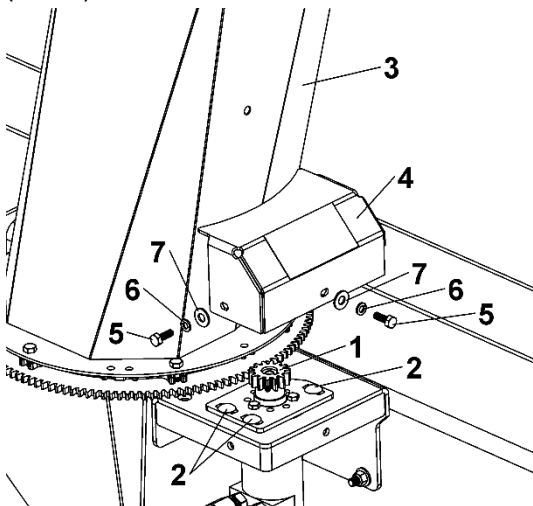


Adjustment of the hydraulic motor

Adjust the hydraulic motor (item 1) by loosening the three nuts on the carriage bolts (item 2) (if required) that hold the hydraulic motor in place. Do not remove the nuts.

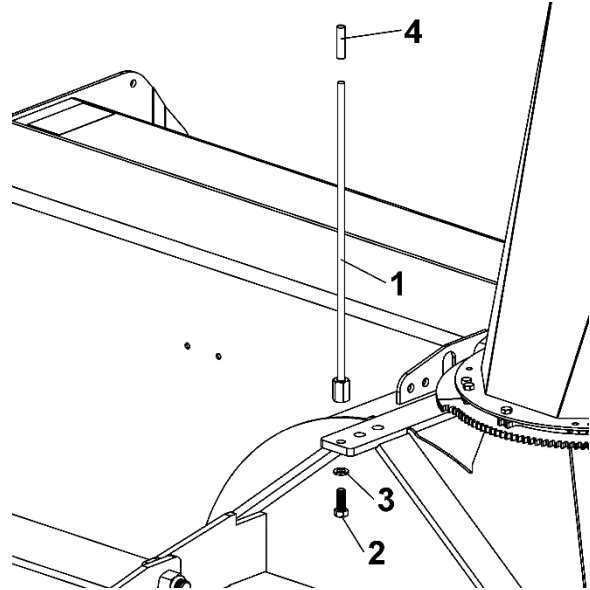
Slide the motor towards the chute (item 3) as shown (the grooves on the motor's sprocket must match those of the rotation ring). Adjust and retighten the nuts. Tighten firmly.

Install the sprocket guard (item 4) as shown and secure in place with two hex bolts $1/4''$ n.c. x $3/4''$ (item 5), two lock washers $1/4''$ (item 6) and two flat washer $5/16''$ (item 7).



Installation of the centering guide

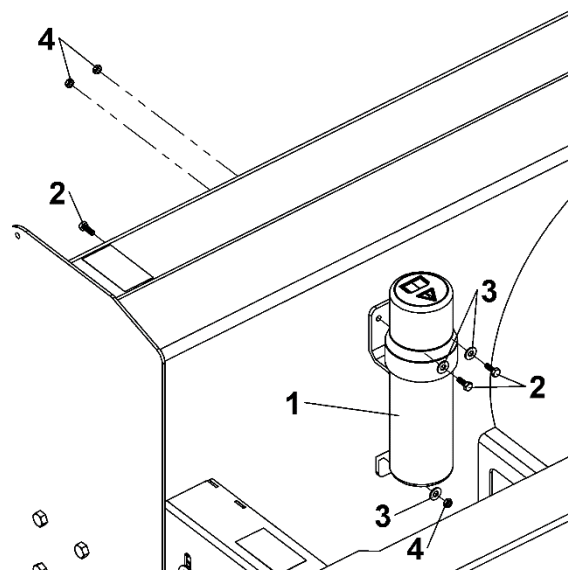
Install the centering guide (item 1) in the hole (item A) using an hex bolt $3/8$ n.c. x $1''$ (item 2) and a lock washer $3/8''$ (item 3). Put the cap (item 4) on the centering guide.



Installation of the manual canister

Install the manual canister (item 1) using three hex bolts $1/4''$ n.c. x $3/4''$ (item 2), four $5/16''$ flat washers (item 3) and three thin nylon insert locks nuts (item 4).

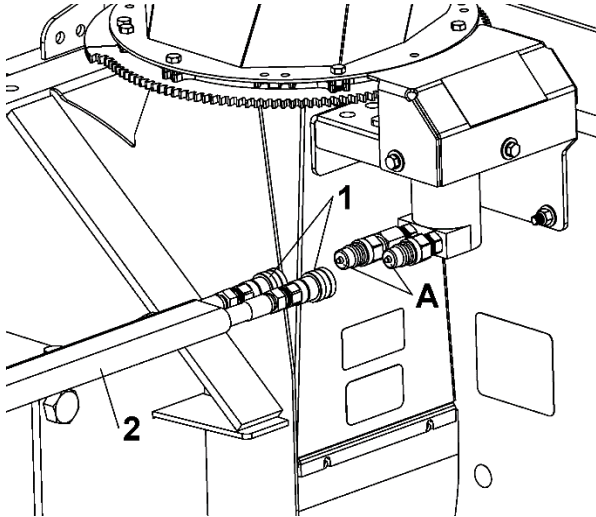
Important: The bottom bolt must be installed from inside the frame as shown.



Assembly & initial set-up

Installation of the hydraulic hoses

Insert the two hydraulic hoses (item 1) in the nylon sleeve (item 2) and connect the two hoses to the hydraulic motor connectors (item A).



Assembly options

Please see your dealer for a complete list of updated options.

Initial set-up

Please see adjustment section to complete for all the entire settings.

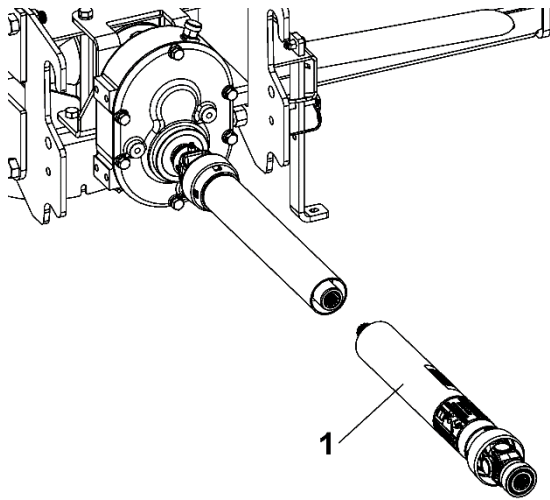
Hook and un-hook accessory

Getting ready for installation

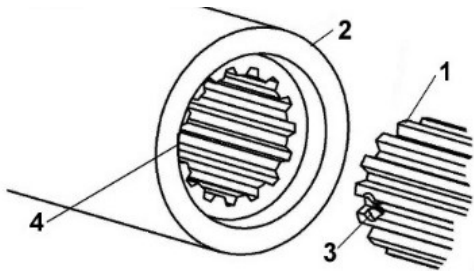
Make sure your tractor is equipped with the subframe #701138 as well as bracket kit for your tractor. (Follow the instructions in the subframe manual for this item).

Make sure the parking stand is lowered (see adjustment section).

- A. If the half drive line (item 1) isn't installed, please do install it.



Note: Make sure to align the stamped marks (item 3) located between the splines at the end of the shaft with the large groove (item 4) in the hollow tube of the snowblower section.



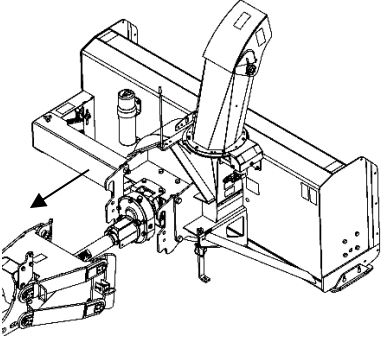
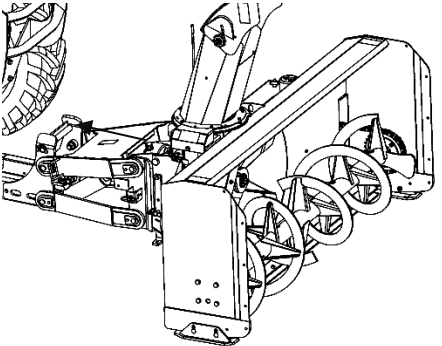
Hooking & Un-hooking

WARNING

To avoid serious injury or death:

- Have only one person doing the hooking & un-hooking operation.
- Keep bystanders away.
- Never allow someone between the tractor and the implement while doing hooking and un-hooking operation.
- Never put your hand or any part of the body inside the subframe at any time except when required for installation of the PTO between the subframe and snowblower when snowblower is resting on ground, tractor is shut down (see tractor shut down into operating instructions section) and subframe properly installed on tractor.

There are 2 methods for hooking the snowblower to the tractor.

<p>Method #1</p>	<p>Hooking the snowblower on subframe already mounted on tractor (see subframe manual to mount subframe to tractor)</p> 
<p>Method #2</p>	<p>Hooking the snowblower already assembled with subframe on the tractor.</p> 

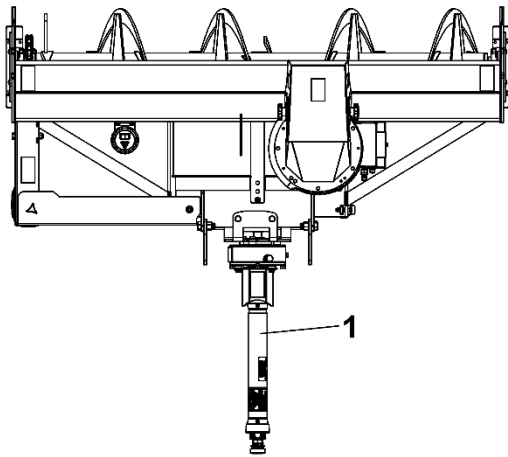
Hook and un-hook accessory

METHOD 1: Hooking snowblower on subframe:

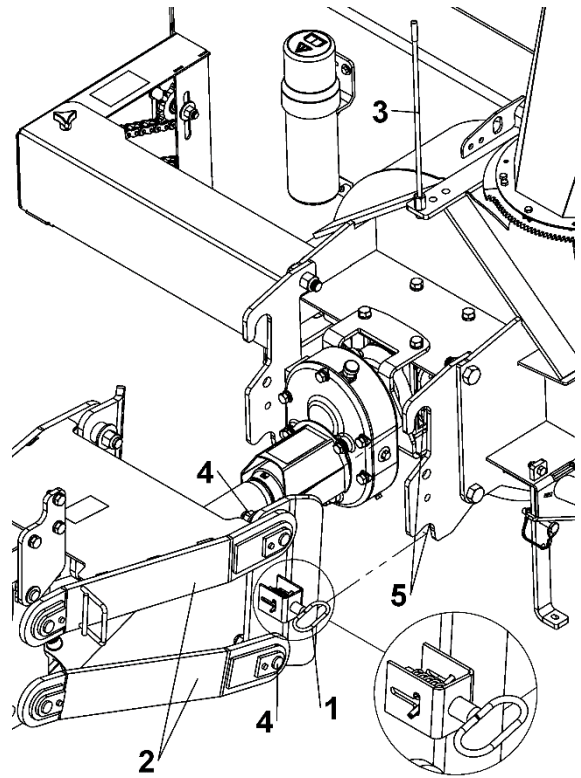
The snowblower (subframe is installed on the tractor):

Make sure there is no snow, ice or other elements on the subframe or the back part of the snowblower so there is no interference for the hook up and create damage.

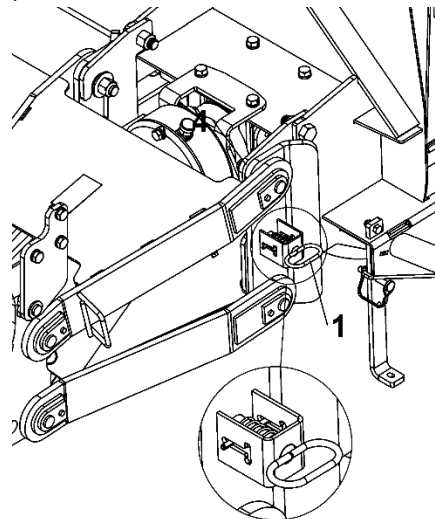
- A. Stop the tractor, see the "Tractor shut down" procedure in the operation section.
- B. To avoid any damage to the tractor driveshaft (item 1) Make sure the snowblower driveshaft is oriented as shown.



- C. Pull the pins (item 1) and lock them in the unlocked position.
- D. Lower the lift arms (item 2) completely using the loader control (see operation section for more details).
- E. Start the tractor, see the "Tractor startup" procedure in the operation section.
- F. Move forward slowly while being centered in relation to the snowblower, by using the centering guide (item 3), until the sleeves (item 4) of the hitch frame lean against the hitch plates at the location indicated (item 5).
- G. Raise the snowblower so that it leaves the ground about 2" (do not raise it completely).

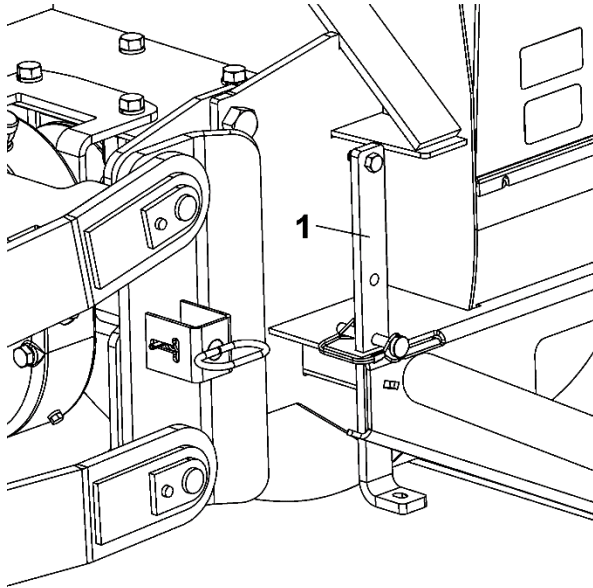


- H. Stop the tractor, see the "Tractor shut down" procedure in the operation section.
- I. Unlock the pins (item 1) and make sure they are in the locked position to secure the snowblower in place as shown.

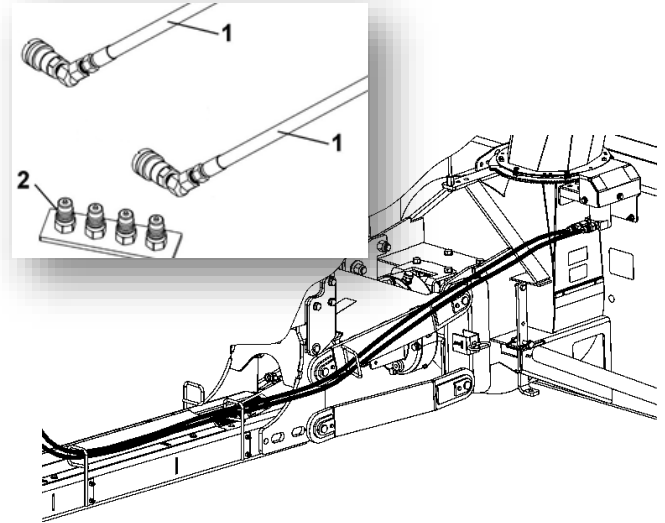


- J. Raise the parking stand (item 1) (see adjustment section for more details).

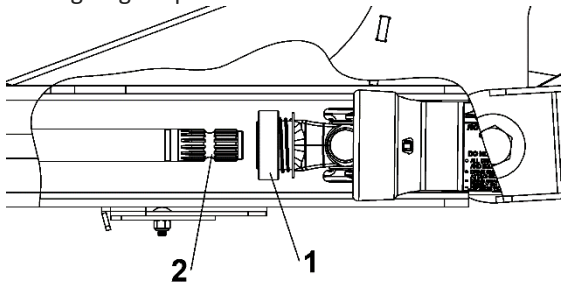
Hook and un-hook accessory



- M. Connect the flexible hoses (item 1) for the snowblower's chute rotation to the vehicle's hydraulic system (item 2). Route the hoses as shown through the hose supports. Read all important following information on this page before proceeding to the installation of the hoses.



- K. Lower the snowblower to the ground.
L. Connect the half driveline (item 1) to the subframe shaft (item 2) by sliding back the locking collar on driveline yoke and then insert it on the shaft until locking ring snaps back.



IMPORTANT:

***It is the user / or the person who does the installation's responsibility to install the hoses in such a manner that they do not come into contact with any mobile elements of the vehicle (the wheels or the subframe), sharp edge, hot surface in all operating conditions if not, this could lead to damages.**

IMPORTANT: If manipulating the hydraulic commands do not create any movement, one hose from the hydraulic lift system is interchanged with one hose for the chute rotation.

NOTE: Use a coloured tie wrap (not supplied) to identify the different hoses to simplify future installation.

IMPORTANT: Twists in the hydraulic hoses will wear them out prematurely. If the quick couplers are not well aligned, slightly loosen the fitting (item 3) in order to rotate the female quick coupler (item 4). Lubricate the threads with hydraulic fluid and tighten the joint at 25 lb. ft.

CAUTION

To avoid serious injuries:

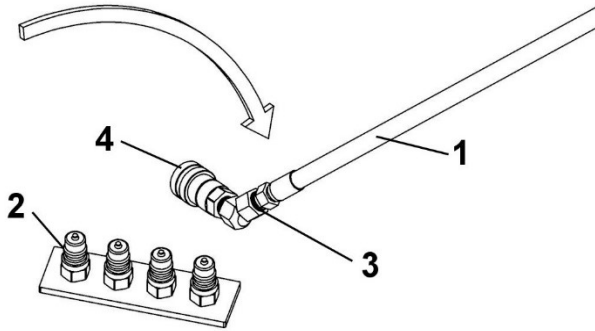
Make sure that the driveline quick coupler is securely locked in place. A "click" must be heard. If it is not securely fastened, it will come off from the shaft and spin out of control.

WARNING

To avoid serious injury or death:

This shaft turns at up to 2000 RPM. If the collar is not locked to the subframe shaft, or if the yoke at the snowblower end is not secured properly, the driveline can fly loose with great force capable of causing serious injury or death.

Hook and un-hook accessory



ATTENTION: Over tightening is one of the greatest causes for oil leaks.

Test the hydraulic controls in order to make sure that they coordinate with the movement of the accessory. If they do not match, reconnect the hoses in the right order.

1. Route hydraulic hose to the tractor hydraulic quick connect in a way to avoid damage to hose and allow movement of any components. Example : avoid any contact with any sharp edges, hot surfaces, any moving part of any component of the vehicle that may damage the hose during installation, operation or maintenance
2. Clean quick couplers and connect the quick coupler to the tractor quick couplers. Make sure this is the same coupler size and type and fully engaged.
3. Use the hydraulic control to activate the accessory. If the movement is the opposite than what expected, switch hose on the tractor coupler.
4. Purge the hydraulic system (see purging hydraulic system section)

1. Route hydraulic hose to the tractor hydraulic quick connect in a way to avoid damage to hose and allow movement of any components. Example : avoid any contact with any sharp edges, hot surfaces, any moving part of any component of the vehicle that may damage the hose during installation, operation or maintenance
2. Clean quick couplers and connect the quick coupler to the tractor quick couplers. Make sure this is the same coupler size and type and fully engaged.
3. Use the hydraulic control to activate the accessory. If the movement is the opposite than what expected, switch hose on the tractor coupler.
4. Purge the hydraulic system (see purging hydraulic system section)

METHOD 1 : Unhooking snowblower from subframe:

The snowblower (if the subframe remains on the tractor)

Follow the instructions for installing the snowblower but in reverse order.

- A. Stop the tractor, see the “Tractor shut down” procedure in the operation section.
- B. Disconnect the chute rotation.
- C. Disconnect the driveline from the subframe shaft.
- D. Start the tractor.
- E. Raise the snowblower off the ground (approx. 1/4”, do not completely raise)
- F. Stop the tractor, see the “Tractor shut down” procedure in the operation section.
- G. Lower the parking stand, see adjustment section.
- H. Pull the pins and lock them.
- I. Lower the subframe completely and back off the tractor.

METHOD 2 : Hooking subframe with snowblower on tractor:

Refer to the subframe manual for hooking instructions.

The subframe can be installed by itself or can also be installed with snowblower already installed on the subframe. The procedure is almost the same in both cases.

Hook and un-hook accessory

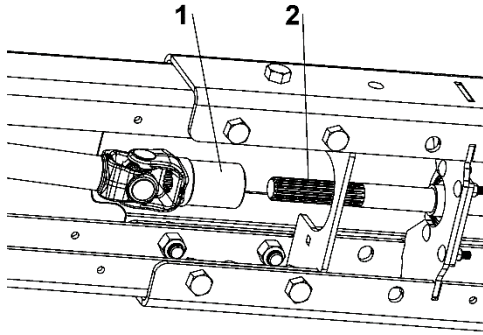
METHOD 2 : Unhooking the snowblower with subframe from the tractor:

Refer to the subframe manual for unhooking instructions.

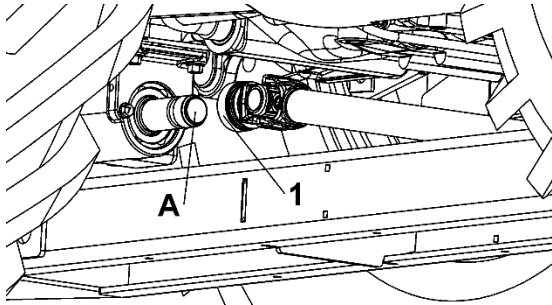
Follow in reverse the same steps than "Hooking the subframe" section.

MID PTO assembly

- A. Apply grease on the shaft (item 2). Slide the driveline (item 1) onto the shaft and push it all the way in.



- B. Connect the driveline (item 1) to the central PTO (item A) by sliding back the locking collar on driveline yoke and then insert it on the transmission shaft until locking ring snaps back.



CAUTION

To avoid serious injuries:

Make sure that the driveline quick coupler is securely locked in place. A "click" must be heard. If it is not securely fastened, it will come off from the shaft and spin out of control.

WARNING

To avoid serious injury or death:

This shaft turns at up to 2000 RPM. If the collar is not locked to the subframe shaft, or if the yoke at the snowblower end is not secured properly, the driveline can fly loose with great force capable of causing serious injury or death.

Purging the hydraulic system

Hydraulic components on the accessory can contain air.

The air needs to be purged from component:

- A. Raise the accessory 6" off the ground
- B. Activate the hydraulic control to cycle all possible movement of the accessory several times until the movement is stable.

Operating instructions

Safety precaution

DANGER

To avoid serious injury or death:

- Always follow all safety precaution in the important safety information section of this manual.
- Follow all instructions and safety precautions in your vehicle manual and any other related accessory manual.
- Always follow all safety precaution on all safety decals.
- To avoid being pinned between loader lift arm or 3pts hitch and vehicle frame, always operate the accessory while seated in the operator seat with seat belt fastened.
- Keep any part of your body inside the operator area.
- Before leaving the operator's seat, lower attachment to the ground, set park brake, turn off engine and remove key.
- Do not use foot or hand control for handholds or steps.
- Keep foot and hand control clean at all times.
- Never bypass or modify a safety device.
- Keep away from electrical power lines.
- Never allow riders on vehicle or accessory.
- Operate vehicle only if equipped with ROPS with seatbelt fastened at all times.
- Check hitch fit-up frequently. An improper fit-up can result in the accessory detaching from the vehicle.
- It is the operator's responsibility to make sure nobody is in the working area before performing any work or any movement with the vehicle and accessory.
- If applicable stop loader arms gradually when lowering or lifting

WARNING

To avoid serious injury or death caused by vehicle overturn:

Operate only with tractor equipped with an approved rollover-protective structure (ROPS) or ROPS cab and seat belt. Foldable ROPS must be kept up at all times. Fasten seatbelt snugly and securely.

CAUTION

To avoid serious injury

- Use snowblower for the intended purpose only: blowing snow.
- Avoid any contact with solid object. This can break the tractor and accessory and can throw the driver forward.

Operating instructions

Controls and display

For the control of the movements of the subframe, please see the subframe's manual.

CHUTE ROTATION:

Use the tractor's hydraulic joystick to turn the chute from one side to the other.

If the chute does not turn in the desired direction, switch the hydraulic hoses on the tractor.

CHUTE DEFLECTOR

See adjustment section.

Operating instructions

Pre-Start Operation

Always inspect the accessory before starting use. See the section "Maintenance and lubrication".
See tractor's manual for starting the tractor.

Tractor shut down

Always shut down vehicle before dismounting.

1. If engaged, disengage PTO.
2. Park on level surface, engage parking brake, lower attachment to the ground, turn off engine, and remove key to prevent unauthorized starting.
3. Wait for all components to come to a complete stop before leaving the operator seat.
4. Use steps, grip-handles, and skid-resistant surfaces when getting on and off the vehicle.

Hook-up accessory

Refer to hook and unhook section of this manual.

Unhook accessory

Refer to hook and unhook section of this manual.

To direct the snow when removing

Use the chute controls to direct the snow. see subsection control and display of the operation section)

To direct snow at the projection distance, adjust the chute deflector (see adjustments section). The more the

deflector is open, the greater the distance will be.

To direct the location of the projection, use the control of the rotation of the chute (see subsection control and display of the operation section)

Snow removal

When removing snow, do not use the snowblower as a dozer blade to push snow. Allow snowblower to ingest snow at its own speed. If the speed of your tractor is too fast, the snowblower may become overloaded and plug. For best results, raise the snowblower and remove a top layer of snow. A second pass with the snowblower will remove the remaining snow.

NOTE: To increase the life span of the components, always disengage the snowblower when it is raised.

IMPORTANT: Always inspect hydraulic components and hoses before use. Replace any damaged or worn parts. If you suspect a leak in the hoses, NEVER use your hand to locate it. Use a piece of cardboard or wood.

- A. Make sure the snowblower is free of snow before engaging the snowblower.
- B. Make sure the fan and auger turn freely.
- C. Start the vehicle's engine.
- D. Before engaging the snowblower, the engine should be running at low speed.
- E. Operate the snowblower at maximum speed when removing wet or sticky snow. A low engine speed will tend to obstruct the chute.
- F. Always use the accessory with float mode. To do this, push the tractor hydraulic lever to the float position.

Operating instructions

Clean a blockage

DANGER

To avoid serious injury or death:

Never use your hand to clean out the discharge chute. Hand contact with the rotating impeller inside the discharge chute is the most common cause of injury associated with snowblowers.

- Do not attempt to clear plugged chute, auger or fan of snow while the snowblower's engine is running.
- Disengage snowblower. -Lower snowblower to the ground and set parking brake.
- **SHUT THE ENGINE OFF & REMOVE KEY!**
- Wait 10 seconds to be sure that all moving parts such as the impeller blades have stopped moving.
- Always use a cleaning tool (a wooden stick a minimum of 3 feet long or the chute shovel supplied with some models), **NEVER YOUR HANDS.**

Adjustments

Parking stand on the snowblower

WARNING

To avoid serious injury or death:

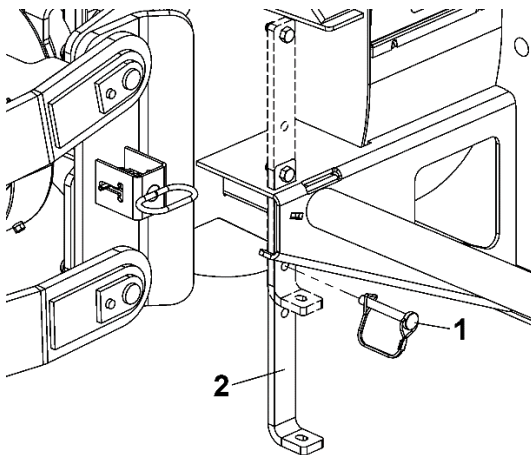
Make the assembly / adjustment on the accessory after it has been properly secured to the tractor and secured with a solid support. Never work around equipment supported by a hydraulic system. The hydraulics can drop the equipment instantly if the controls are operated or if the hydraulic lines burst even when the hydraulic power is turned off.

Lower the parking stand:

IMPORTANT: when in operation or when the snowblower shaft is installed on the subframe shaft the parking stand must always be raised.

Lower the parking stand allows easy hooking and unhooking of the snowblower to avoid contact between the drive line shaft and other components while hooking up.

- If the snowblower is installed on the subframe, raise 2" from the ground.
- Stop the tractor, see the "Tractor shut down" procedure in the operation section.
- Remove the pin (item 1) lower the parking stand (item 2) and put the pin back.

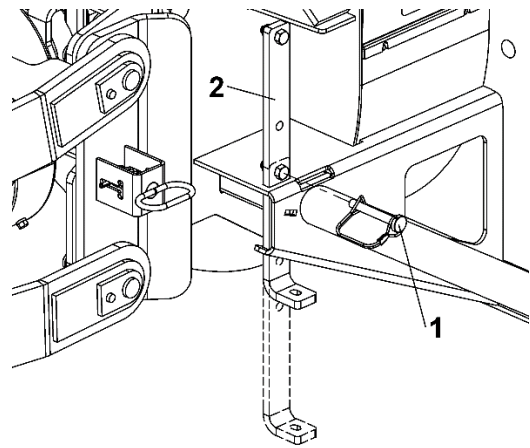


- Lower the snowblower to the ground.

Raising the parking stand:

IMPORTANT: when in operation or when the snowblower shaft is installed on the subframe shaft the parking stand must always be raised.

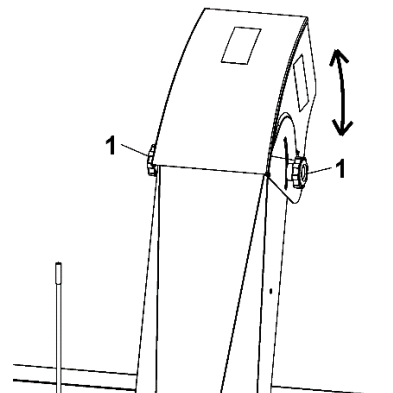
- If the snowblower is installed on the subframe, raise 2" from the ground.
- Stop the tractor, see the procedure for stopping the tractor in the operation section.
- Remove the pin (item 1), raise the parking stand (item 2) and put the pin back.



- Lower the snowblower to the ground.

Chute deflector

Adjust the angle of the deflector according to the distance at which the snow is to be projected and to prevent damage to the property. To change the deflector angle, loosen both knobs (item 1), adjust the knobs to the appropriate angle, and tighten both knobs firmly or use the optional electric deflector assembly.



Adjustments

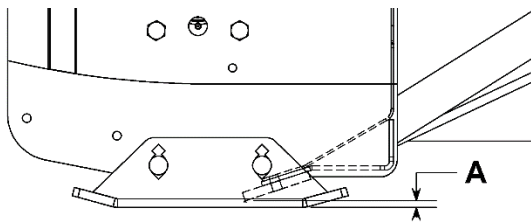
Chute Rotation

See operation section - control and display.

Skid Shoe adjustment

PAVED SURFACE: Adjust skid shoes to allow 3/16" to 1/4" or 5mm to 7mm clearance (A) between cutting edge and surface.

UNEVEN OR GRAVEL SURFACE: Adjust skid shoes to allow 1/2" to 5/8" or 13mm to 16mm clearance (A) between cutting edge and surface.



Troubleshooting

Troubleshooting

PROBLEM	POSSIBLE CAUSES	CORRECTIVE ACTION
Snowblower vibrates or is abnormally noisy.	Damaged auger.	Replace auger.
	Damaged drive shaft.	Replace drive shaft.
	Damaged bearing.	Replace bearing.
	Damaged fan.	Dismount & repair or replace fan.
	Driveline is not well installed.	Reinstall the driveline according to the instructions.
Snowblower stopped turning.	Damaged drive shaft or shear bolt is broken.	Replace drive shaft or replace shear bolt (for identification, see Parts List "Snowblower"). Also see "Maintenance" section.
Chute rotation is difficult.	Dirt or ice may be underneath chute.	Clean the base of the chute & the rotation ring.
	The base of the chute or the rotation ring may be damaged or bent.	Replace defective parts.
The chute plugs easily.	Tractor engine is turning too slowly.	Always have engine at full R.P.M. when using the snowblower.
	Advancing too quickly with tractor.	Reduce speed. Allow snowblower to ingest snow at its own speed.
Snowblower digs into the ground.	Ground is frozen or too soft.	Adjust the skid shoes lower so they may better support the snowblower.
Snowblower does not raise evenly.	Uneven tire pressure from one side to another.	Refer to the tractor's owner manual for tire pressure. Check the adjust tractor tire pressure. Tire pressure must be even on both sides of tractor.
Accessories do not raise fast enough. or lowers too slowly.	Dirt in oil.	Change hydraulic oil.
	Damaged bushing.	Replace the bushing.

Maintenance & Lubrication

WARNING

To avoid serious injury or death :

- Always follow all safety precautions in the important safety information section of this manual.
- Follow all instructions and safety precautions in your vehicle manual and any other related accessory manual.
- Use jack and support blocks to support equipment when required. Carefully release pressure from equipment with stored energy.
- Replace parts on this accessory with genuine parts only.
- Never work or walk under the accessory unless securely blocked. Otherwise accessory can fall.
- Never allow untrained personnel to service machine.

NOTE: When reassembling after maintenance, be sure to apply Loctite when necessary.

Cutting edge maintenance

Check the scraper bar wear from time to time to make sure you do not use the bottom of the snowblower frame. The scraper bar is reversible.

Gear box Maintenance

Change the oil after the first 100 hours of use. Then change after every 600 hours or each year.

The type of oil used: SAE90.EP

- The gearbox should contain 1.2 kg (1.33L) of oil.
- The reduction box should contain 0.6kg (0.67L) of oil.

Maintenance Schedule

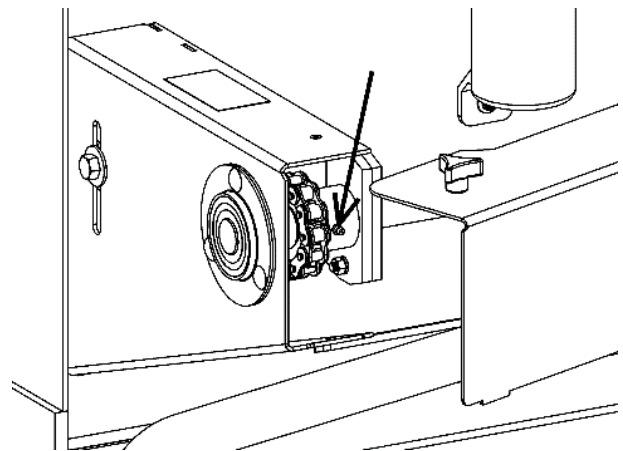
Frequency of maintenance at each:	Element to do:
8 hours	Make sure that the bolts are still tightened correctly and that the skids and scraper bar are not too worn
10 hours	- Drive shaft (multi-purpose grease) (4 zerks) <ul style="list-style-type: none"> ▪ Telescopic part (1 zerk) ▪ Crosses (2 zerks) - Oil chute base. - Greaseable ball bearings (2 zerks) (multi-purpose grease) - Grease the shear bolt sprocket hub (1 zerk) (multi purpose grease).
After first 100 hours	See "Gear box Maintenance" section
1 year or 600 hour, whichever comes first	See "Gear box Maintenance" section
Annual	Check the oil level of the gearbox

Greaseable bearings

Grease every 10 hours of use with multipurpose grease (qty: as needed).

Shear bolt sprocket hub

Lubricate every 10 hours with multipurpose grease (qty: 2 pumps).



Maintenance & Lubrication

Chain

Lubricate when required with commercial chain lubricant (qty: as needed).

Replacing shear bolts for the fan and auger:

Shear bolts are to be considered a preventive measure and not an assured protection. Operator vigilance is required. Thoroughly inspect the areas where the snowblower is to be used and remove all foreign objects.

To avoid damage to the snowblower:

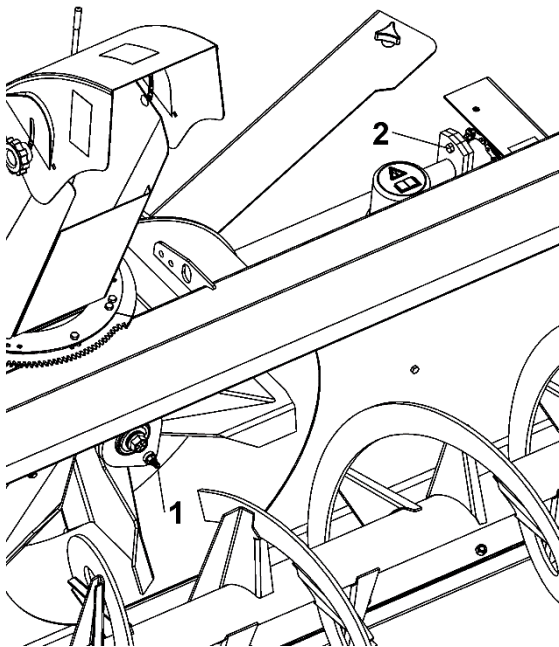
Use only original shear bolts.

#109871 (bag of 10) (item 1) for the fan.

#106983 (bag of 10) (item 2) for the auger:

- A. Unscrew the guard and rotate it.
- B. Replace the shear bolt.

The use of any other shear bolt will not ensure any protection and may void the warranty.

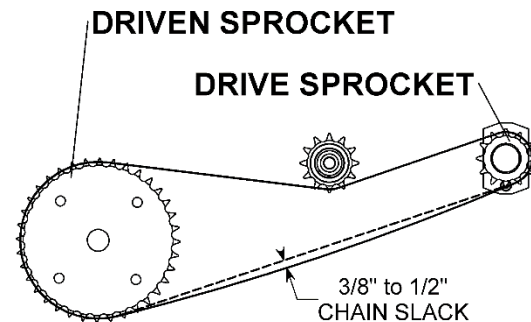
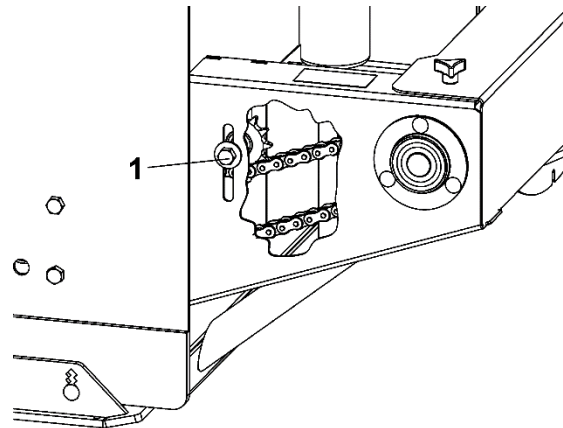


- C. Replace the guard.

Chain adjustment:

Unscrew the adjustment bolt (item 1) sufficiently (to be able to slide the sprocket into the groove), lower the sprocket to add tension to the chain and raise it to remove tension.

NOTE: It is important that the chain is adjusted as shown to maximize its life.



Chain replacement:

- A. Remove the tension from the chain using the adjustment bolt.
- B. Remove the used chain and replace it with a new one.
- C. Adjust the chain to the correct tension as mentioned in section "CHAIN ADJUSTMENT".

Storage and transportation

Long-Term Storage

Follow unhooking instruction in the section “Hook-up and Unhook Accessory” of this manual.

- Clean the accessory
- Inspect the accessory for loose, damaged, missing, or worn parts. Adjust and tighten loose parts. When needed replace parts with new ones.
- Repaint parts where paint is missing or worn
- Replace all damaged or missing decals
- Lubricate all lubrication points see “Maintenance and lubrication” section
- Store accessory on a level surface in a clean, dry place. Inside storage is preferable. Store where kids do not play.
- Check the stability of the accessory to make sure the unit will not tip easily in any direction (forward, backward,...). If required add support where needed to make sure the accessory will not overturn

Transportation

 **WARNING**

To avoid serious injury or death :

When travelling on public roads, use SMV sign, clean reflectors, and any other device to alert others of your presence. Always comply with all federal, state/provincial and local laws

- A. If applicable, always disengage tractor / accessory PTO before raising accessory to transport position.
- B. Make sure that any part of the accessory does not contact any vehicle part when raising accessory to transport position.
- C. Travel at safe speed when transporting.
- D. Reduce tractor ground speed when turning and leave enough clearance so accessory does not contact obstacles such as buildings, trees, or fences. Turning at high speeds can result in a roll over of the tractor.
- E. Transport the accessory low to the ground to help maintain vehicle stability and visibility as much as possible
- F. Keep away from electrical power lines
- G. Shift tractor to a lower gear when traveling over rough or hilly terrain.

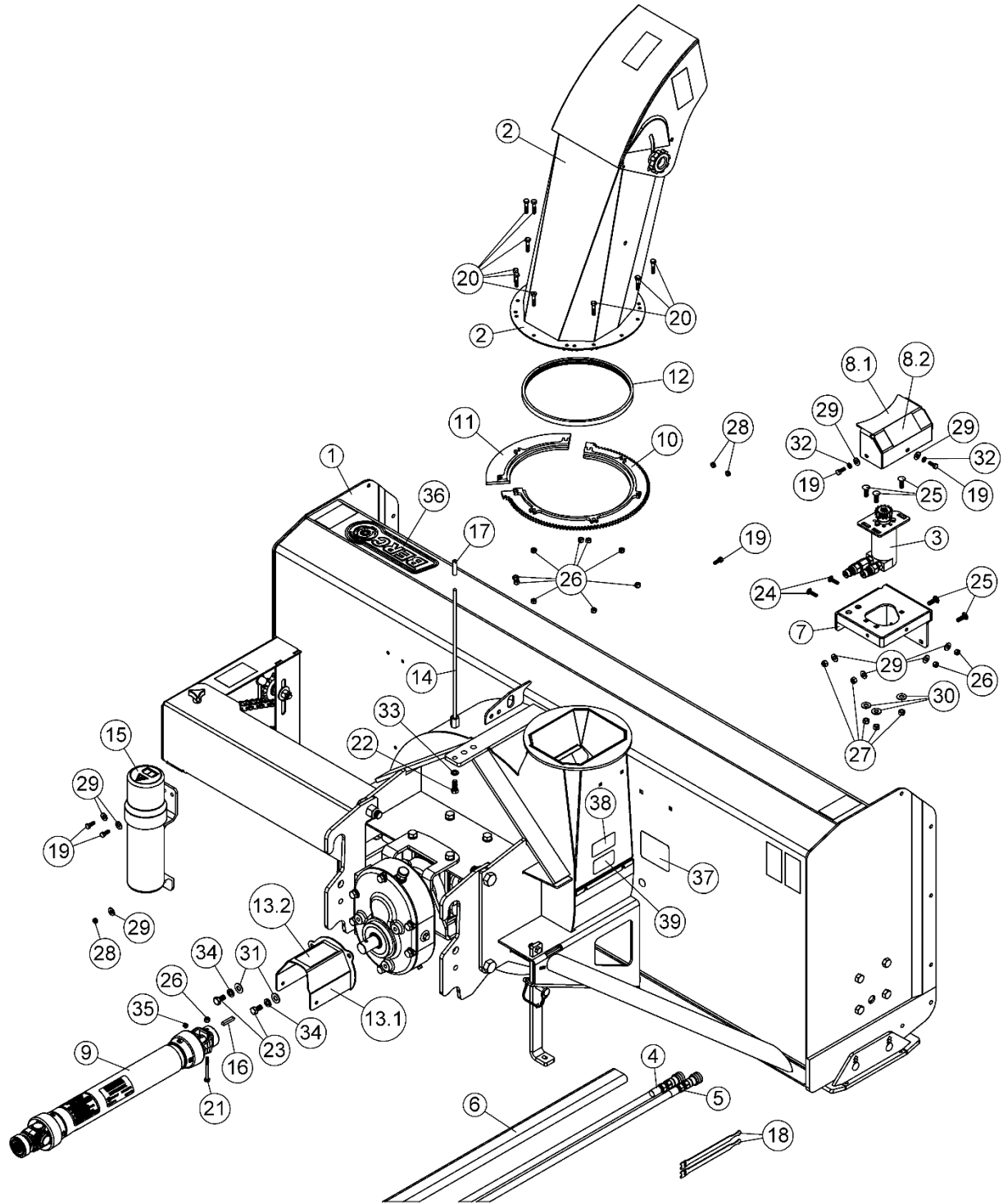
Specifications

Specifications

Spécifications		
Model number	701136	701137
Width	72"	80"
Height (without chute)	31"	31"
Height (chute lowered)	51 1/4"	51 1/4"
Height (chute raised)	61"	61"
Depth (overall)	44"	44"
Weight	707 lbs	740 lbs
Tractor model	TYM T474 See your dealer for the most up to date tractor model list	TYM T574 See your dealer for the most up to date tractor model list
Power range	Tractor engine 40 – 55hp	Tractor engine 48 – 65hp

Parts breakdown

NOMENCLATURE ET LISTE DES PIÈCES / PARTS BREAKDOWN & PART LIST Souffleuse à neige 72" à PDF #701136 72" PTO Snowblower #701136



Parts breakdown

NOMENCLATURE ET LISTE DES PIÈCES / PARTS BREAKDOWN & PART LIST Souffleuse à neige 72" à PDF #701136 72" PTO Snowblower #701136				
REF.	ENGLISH DESCRIPTION	DESCRIPTION FRANÇAISE	QTY.	PART#
1	72" snowblower assembly	Souffleuse assemblée 72"	1	501647
2	Chute assembly	Goulotte assemblée	1	501379
3	Motor assembly	Moteur assemblé	1	501597
4	Hydraulic hose assembly (with calibrated orifice)	Flexible hydraulique assemblé (avec orifice calibré)	1	110973
5	Hydraulic hose assembly	Flexible hydraulique assemblé	1	110974
6	Nylon sleeving 1-3/8" x 122"	Gaine de nylon 1-3/8" x 122"	1	110491
7	Motor support	Support moteur	1	110820
8	Sprocket guard #110822 with safety decal	Garde pignon #110822 avec décalque de séc.	1	110821
8.1	Sprocket guard	Garde pignon	1	110822
8.2	Decal Warning Gear	Décalque Danger Engrenage	1	108555
9	PTO driveshaft	Arbre à cardan	1	108097
10	Half rotation ring	Demi anneau de rotation	1	106362
11	Half rotation ring (toothless)	Demi anneau de rotation (sans dents)	1	106363
12	Rotation ring	Anneau de rotation	1	106364
13	PTO guard #110512 w/ safety decal	Garde de PDF #110512 a/ décalque de sécurité	1	110524
13.1	PTO Guard	Garde de PDF	1	110512
13.2	Decal PTO	Décalque PDF	1	108554
14	Centering guide	Guide de centrage	1	110564
15	Manual canister	Boîte à manuel	1	106165
16	Rounded ends key 1/4" x 1/4" x 1.500"	Clé à bouts arrondis 1/4" x 1/4" x 1.500"	1	108183
17	Round red cap for 5/16" - 3/8" shaft	Capuchon rond rouge pour tige 5/16" - 3/8"	1	110565
18	Hook-it cable ties	Attache câble auto-grippante	2	104408
19	Hex. bolt 1/4" n.c. x 3/4" GR5	Boulon hex. 1/4" n.c. x 3/4" GR5	5	O/L (300NC.5P_1-4x3-4)
20	Hex. bolt 1/4" n.c. x 1 1/4" GR5	Boulon hex. 1/4" n.c. x 1 1/4" GR5	9	O/L (300NC.5P_1-4x1-1-4)
21	Hex. bolt 1/4" n.c. x 2 1/2" GR5	Boulon hex. 1/4" n.c. x 2 1/2" GR5	1	O/L (300NC.5P_1-4x2-1-2)
22	Hex. bolt 3/8" n.c. x 1" GR5	Boulon hex. 3/8" n.c. x 1" GR5	1	O/L (300NC.5P_3-8x1)
23	Hex. bolt M10 x 1.50 x 20 GR8.8	Boulon hex. M10 x 1.50 x 20 GR8.8	2	O/L (310.8.8P_M10X1.50X20)
24	Carriage bolt 1/4" n.c. x 1" GR5	Boulon à carrosserie 1/4" n.c. x 1" GR5	2	O/L (320NC.5P_1-4x1)
25	Carriage bolt 5/16" n.c. x 1" GR5	Boulon à carrosserie 5/16" n.c. x 1" GR5	5	O/L (320NC.5P_5-16x1)
26	Nylon Insert lock Nut 1/4" n.c.	Écrou à garniture de nylon 1/4" n.c.	12	O/L (335NC.P_1-4)
27	Nylon Insert lock Nut 5/16" n.c. GR5	Écrou à garniture de nylon 5/16" n.c. GR5	5	O/L (335NC.P_5-16)
28	Nylon insert lock nut 1/4" n.c. (thin)	Écrou à garniture de nylon 1/4" n.c. (mince)	3	O/L (336NC.P_1-4)
29	Flat washer 5/16" hole	Rondelle plate 5/16" trou	9	O/L (360.P_5-16T)
30	Flat washer 3/8" hole	Rondelle plate 3/8" trou	3	O/L (360.P_3-8T)
31	Flat washer 7/16" hole	Rondelle plate 7/16" trou	2	O/L (360.P_7-16T)
32	Lock washer 1/4"	Rondelle de blocage 1/4"	2	O/L (362.P_1-4)
33	Lock washer 3/8"	Rondelle de blocage 3/8"	1	O/L (362.P_3-8)
34	Lock washer 7/16"	Rondelle de blocage 7/16"	2	O/L (362.P_7-16)
35	Socket head set screw 3/8" n.c. x 3/8"	Vis pression tête plate 6PC 3/8" n.c. x 3/8"	1	O/L (391NC.N_3-8x3-8)
36	Berco decal	Décalque Berco	1	103785
37	Decal Proposition 65	Décalque Proposition 65	1	109483
38	Serial number	Numéro de série	1	REF.
39	Made in Canada decal	Décalque Fabriqué au Canada	1	REF.

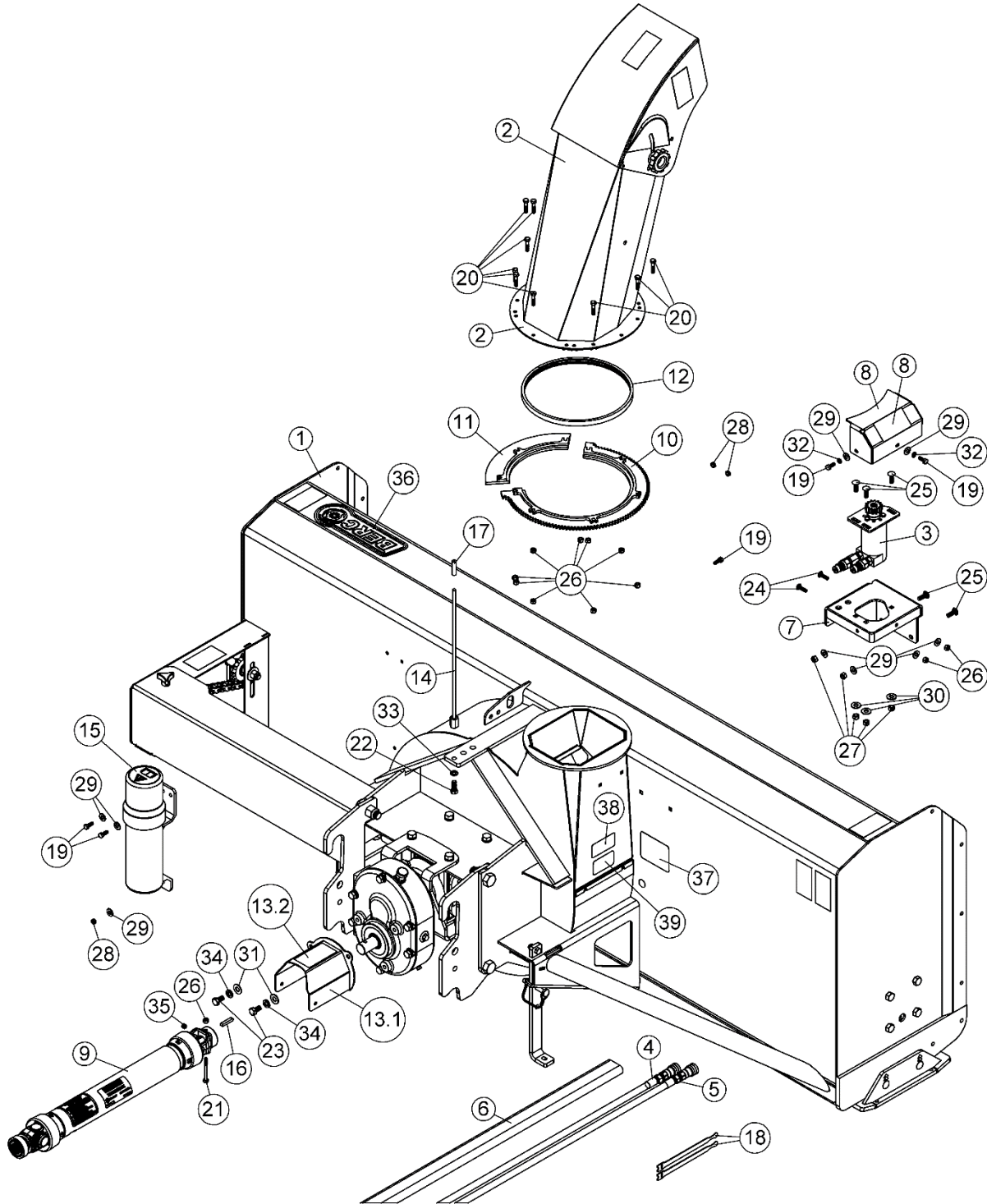
O/L = Obtain Locally / Obtenir localement

Part numbers starting with 500XXX are not available for sale, however, separate parts are available for sale individually.

Les numéros 500xxx ne sont pas disponibles pour la vente. Au besoin, veuillez commander les numéros de pièces séparément.

Parts breakdown

NOMENCLATURE ET LISTE DES PIÈCES / PARTS BREAKDOWN & PART LIST Souffleuse à neige 80" à PDF #701137 80" PTO Snowblower #701137



Parts breakdown

NOMENCLATURE ET LISTE DES PIÈCES / PARTS BREAKDOWN & PART LIST				
Souffleuse à neige 80" à PDF #701137				
80" PTO Snowblower #701137				
REF.	ENGLISH DESCRIPTION	DESCRIPTION FRANÇAISE	QTY.	PART#
1	80" snowblower assembly	Souffleuse assemblée 80"	1	501644
2	Chute assembly	Goulotte assemblée	1	501379
3	Motor assembly	Moteur assemblé	1	501597
4	Hydraulic hose assembly (with calibrated orifice)	Flexible hydraulique assemblé (avec orifice calibré)	1	110973
5	Hydraulic hose assembly	Flexible hydraulique assemblé	1	110974
6	Nylon sleeving 1-3/8" x 122"	Gaine de nylon 1-3/8" x 122"	1	110491
7	Motor support	Support moteur	1	110820
8	Sprocket guard #110822 with safety decal	Garde pignon #110822 avec décalque de séc.	1	110821
9	PTO driveshaft	Arbre à cardan	1	108097
10	Half rotation ring	Demi anneau de rotation	1	106362
11	Half rotation ring (toothless)	Demi anneau de rotation (sans dents)	1	106363
12	Rotation ring	Anneau de rotation	1	106364
13	PTO guard #110512 w/ safety decal	Garde de PDF #110512 a/ décalque de sécurité	1	110524
13.1	PTO Guard	Garde de PDF	1	110512
13.2	Decal PTO	Décalque PDF	1	108554
14	Centering guide	Guide de centrage	1	110564
15	Manual canister	Boîte à manuel	1	106165
16	Rounded ends key 1/4" x 1/4" x 1.500"	Clé à bouts arrondis 1/4" x 1/4" x 1.500"	1	108183
17	Round red cap for 5/16" - 3/8" shaft	Capuchon rond rouge pour tige 5/16" - 3/8"	1	110565
18	Hook-it cable ties	Attache câble auto-grippante	2	104408
19	Hex. bolt 1/4" n.c. x 3/4" GR5	Boulon hex. 1/4" n.c. x 3/4" GR5	5	O/L (300NC.5P_1-4x3-4)
20	Hex. bolt 1/4" n.c. x 1 1/4" GR5	Boulon hex. 1/4" n.c. x 1 1/4" GR5	9	O/L (300NC.5P_1-4x1-1-4)
21	Hex. bolt 1/4" n.c. x 2 1/2" GR5	Boulon hex. 1/4" n.c. x 2 1/2" GR5	1	O/L (300NC.5P_1-4x2-1-2)
22	Hex. bolt 3/8" n.c. x 1" GR5	Boulon hex. 3/8" n.c. x 1" GR5	1	O/L (300NC.5P_3-8x1)
23	Hex. bolt M10 x 1.50 x 20 GR8.8	Boulon hex. M10 x 1.50 x 20 GR8.8	2	O/L (310.8.8P_M10X1.50X20)
24	Carriage bolt 1/4" n.c. x 1" GR5	Boulon à carrosserie 1/4" n.c. x 1" GR5	2	O/L (320NC.5P_1-4x1)
25	Carriage bolt 5/16" n.c. x 1" GR5	Boulon à carrosserie 5/16" n.c. x 1" GR5	5	O/L (320NC.5P_5-16x1)
26	Nylon Insert lock Nut 1/4" n.c.	Écrou à garniture de nylon 1/4" n.c.	12	O/L (335NC.P_1-4)
27	Nylon Insert lock Nut 5/16" n.c. GR5	Écrou à garniture de nylon 5/16" n.c. GR5	5	O/L (335NC.P_5-16)
28	Nylon insert lock nut 1/4" n.c. (thin)	Écrou à garniture de nylon 1/4" n.c. (mince)	3	O/L (336NC.P_1-4)
29	Flat washer 5/16" hole	Rondelle plate 5/16" trou	9	O/L (360.P_5-16T)
30	Flat washer 3/8" hole	Rondelle plate 3/8" trou	3	O/L (360.P_3-8T)
31	Flat washer 7/16" hole	Rondelle plate 7/16" trou	2	O/L (360.P_7-16T)
32	Lock washer 1/4"	Rondelle de blocage 1/4"	2	O/L (362.P_1-4)
33	Lock washer 3/8"	Rondelle de blocage 3/8"	1	O/L (362.P_3-8)
34	Lock washer 7/16"	Rondelle de blocage 7/16"	2	O/L (362.P_7-16)
35	Socket head set screw 3/8" n.c. x 3/8"	Vis pression tête plate 6PC 3/8" n.c. x 3/8"	1	O/L (391NC.N_3-8x3-8)
36	Berco decal	Décalque Berco	1	103785
37	Decal Proposition 65	Décalque Proposition 65	1	109483
38	Serial number	Numéro de série	1	REF.
39	Made in Canada decal	Décalque Fabriqué au Canada	1	REF.

O/L = Obtain Locally / Obtenir localement

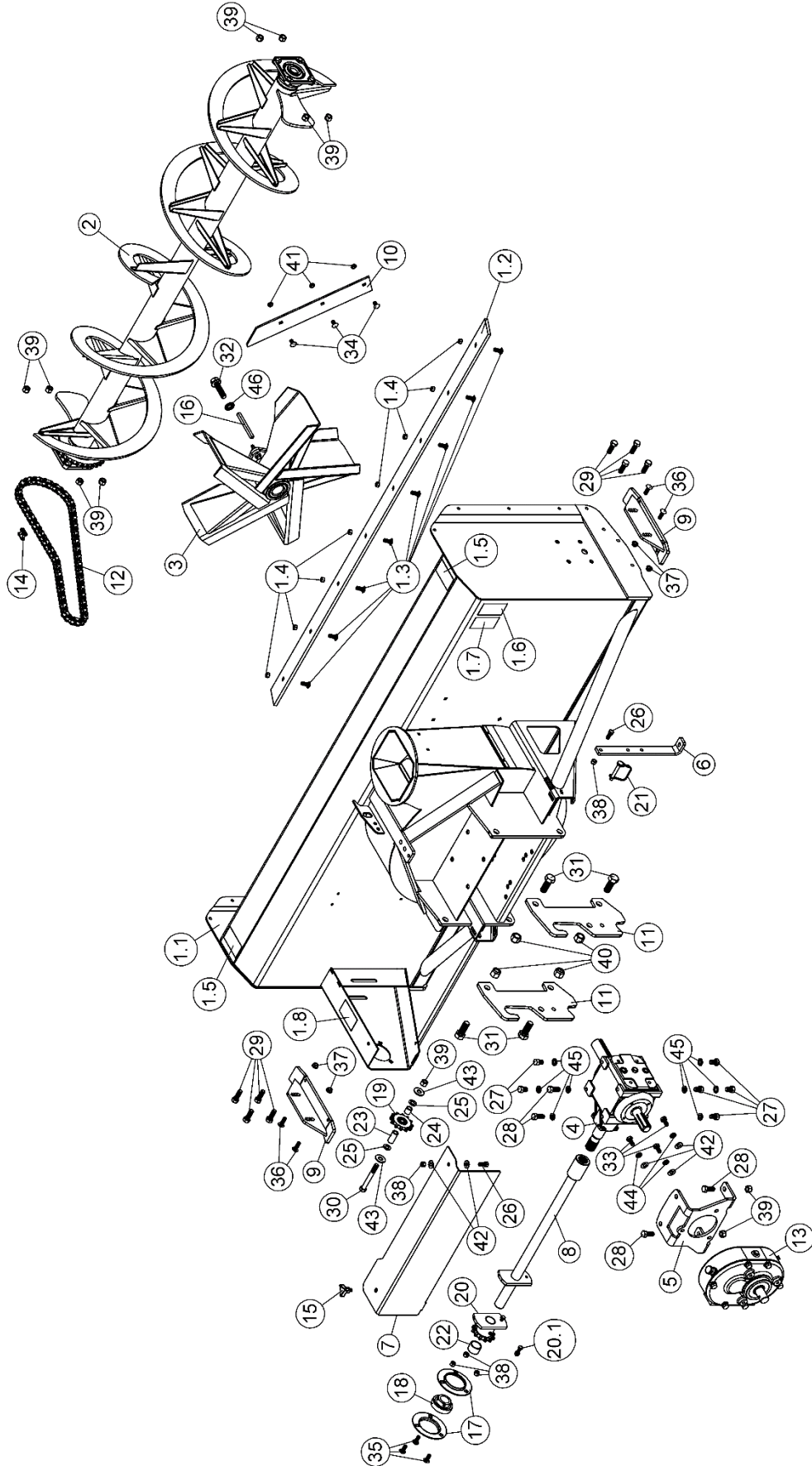
Part numbers starting with 500XXX are not available for sale, however, separate parts are available for sale individually.

Les numéros 500xxx ne sont pas disponibles pour la vente. Au besoin, veuillez commander les numéros de pièces séparément.

Parts breakdown

NOMENCLATURE ET LISTE DES PIÈCES / PARTS BREAKDOWN & PART LIST

Souffleuse assemblée 72" #501647
72" snowblower assembly #501647



Parts breakdown

NOMENCLATURE ET LISTE DES PIÈCES / PARTS BREAKDOWN & PART LIST Souffleuse assemblée 72" #501647 72" snowblower assembly #501647				
REF.	ENGLISH DESCRIPTION	DESCRIPTION FRANÇAISE	QTY.	PART#
1	72" Frame #110823-E02 w/ safety decals	Châssis 72" #110823-E02 a/ déc. de sécurité	1	110824
1.1	72" Frame	Châssis 72"	1	110823-E02
1.2	Cutting edge 72"	Racloir 72"	1	109899
1.3	Carriage bolt 3/8" n.c. x 1 " GR5	Boulon à carrosserie 3/8" n.c. x 1 " GR5	8	O/L (320NC.5P_3-8x1)
1.4	Stover lock nut 3/8" n.c.	Écrou de blocage 3/8" n.c.	8	O/L (338NC.P_3-8)
1.5	Decal Danger Auger	Décalque Danger Vis	2	108550
1.6	Decal Read Instructions	Décalque lire Instructions	1	108551
1.7	Decal Maintenance	Décalque Maintenance	1	108556
1.8	Decal Warning Gear	Décalque Danger Engrenage	1	108555
2	72" auger assembly	Vis assemblée 72"	1	501519
3	5 blades 24" fan assembly	Éventail à 5 pales 24" assemblée	1	501645
4	Gear Box	Boîte d'engrenage	1	110008
5	Gearbox support	Support de boîte d'engrenage	1	110819
6	Parking stand	Pied de stationnement	1	110502
7	72" shaft guard	Garde de l'arbre 72"	1	110825-E02
8	Drive shaft 72"	Arbre de commande 72"	1	109886
9	Skid shoe	Patin	2	110505
10	Reinforcement	Renfort	1	110506
11	Mounting plate	Plaque d'attache	2	110833
12	Chain #60 x 60" + conn.link	Chaîne #60 x 60" +maille acc.	1	106156
13	Reduction gearbox	Boîte de réduction	1	107377
14	Connecting link #60	Maille d'accouplement #60	1	108650
15	Knob	Bouton	1	106861
16	Rounded ends key 3/8" x 3/8" x 4 1/2"	Clé à bouts arrondis 3/8" x 3/8" x 4 1/2"	1	109901
17	Flangette	Flangette	2	106372
18	Bearing with set screw	Roulement à billes avec vis à pression	1	106371
19	Idler sprocket SI60A12H with bearing	Pignon tendeur SI60A12H avec roulement	1	106152
20	Sprocket 60SB12H w/ Shear Pin	Pignon 60SB12H a/ Goupille de Cisaillement	1	106151
20.1	Shear bolt / H.N. / lock washer (auger) pkg-10	B. de séc. / E.H. / r. blocage (vis) pqt-10	1	106983
21	Lock pin	Tige de verrouillage	1	103563
22	Sleeve	Douille	1	110121
23	Sleeve	Douille	1	110142
24	Sleeve	Douille	1	110143

O/L = Obtain Locally / Obtenir localement

Part numbers starting with 500XXX are not available for sale, however, separate parts are available for sale individually.

Les numéros 500xxx ne sont pas disponibles pour la vente. Au besoin, veuillez commander les numéros de pièces séparément.

Parts breakdown

NOMENCLATURE ET LISTE DES PIÈCES / PARTS BREAKDOWN & PART LIST Souffleuse assemblée 72" #501647 72" snowblower assembly #501647				
REF.	ENGLISH DESCRIPTION	DESCRIPTION FRANÇAISE	QTY.	PART#
25	Spacer thin	Espaceur mince	2	110043
26	Hex. bolt 3/8" n.c. x 1" GR5	Boulon hex. 3/8" n.c. x 1" GR5	2	O/L (300NC.5P_3-8x1)
27	Hex. bolt 1/2" n.c. x 3/4" GR5	Boulon hex. 1/2" n.c. x 3/4" GR5	6	O/L (300NC.5P_1-2x3-4)
28	Hex. bolt 1/2" n.c. x 1 1/4" GR5	Boulon hex. 1/2" n.c. x 1 1/4" GR5	4	O/L (300NC.5P_1-2x1-1-4)
29	Hex. bolt 1/2" n.c. x 1 1/2" GR5	Boulon hex. 1/2" n.c. x 1 1/2" GR5	8	O/L (300NC.5P_1-2x1-1-2)
30	Hex. bolt 1/2" n.c. x 4 1/4" GR5	Boulon hex. 1/2" n.c. x 4 1/4" GR5	1	O/L (300NC.5P_1-2x4-1-4)
31	Hex. bolt 3/4" n.c. x 2" GR5	Boulon hex. 3/4" n.c. x 2" GR5	4	O/L (300NC.5P_3-4x2)
32	Hex. flange bolt 5/8" n.c. x 2 1/2" GR8	Boulon hex. à bride 5/8" n.c. x 2 1/2" GR8	1	O/L (301NC.8P_5-8x2-1-2)
33	Hex. bolt M10 x 1.50 x 25 GR8.8	Boulon hex. M10 x 1.50 x 25 GR8.8	3	O/L (310.8.8P_M10X1.50X25)
34	Carriage bolt 3/8" n.c. x 3/4 " GR5	Boulon à carrosserie 3/8" n.c. x 3/4" GR5	3	O/L (320NC.5P_3-8x3-4)
35	Carriage bolt 3/8" n.c. x 1 " GR5	Boulon à carrosserie 3/8" n.c. x 1 " GR5	3	O/L (320NC.5P_3-8x1)
36	Carriage bolt 3/8" n.c. x 1 1/4 " GR5	Boulon à carrosserie 3/8" n.c. x 1 1/4 " GR5	4	O/L (320NC.5P_3-8x1-1-4)
37	Flange nut 3/8" n.c.	Écrou à bride 3/8" n.c.	4	O/L (334NC.P_3-8)
38	Nylon Insert Lock Nut 3/8" n.c.	Écrou à garniture de nylon 3/8" n.c.	5	O/L (335NC.P_3-8)
39	Nylon Insert lock Nut 1/2" n.c.	Écrou à garniture de nylon 1/2" n.c.	11	O/L (335NC.P_1-2)
40	Nylon Insert lock Nut 3/4" n.c.	Écrou à garniture de nylon 3/4" n.c.	4	O/L (335NC.P_3-4)
41	Nylon insert lock nut 3/8" n.c. (thin)	Écrou à garniture de nylon 3/8" n.c. (mince)	3	O/L (336NC.P_3-8)
42	Flat washer 7/16" hole	Rondelle plate 7/16" trou	5	O/L (360.P_7-16T)
43	Flat washer 9/16" hole	Rondelle plate 9/16" trou	2	O/L (360.P_9-16T)
44	Lock washer 7/16"	Rondelle de blocage 7/16"	3	O/L (362.P_7-16)
45	Lock washer 1/2"	Rondelle de blocage 1/2"	8	O/L (362.P_1-2)
46	Wedge lock washer 5/8"	Rondelle de blocage en coin 5/8"	1	O/L (364.Z_5-8)

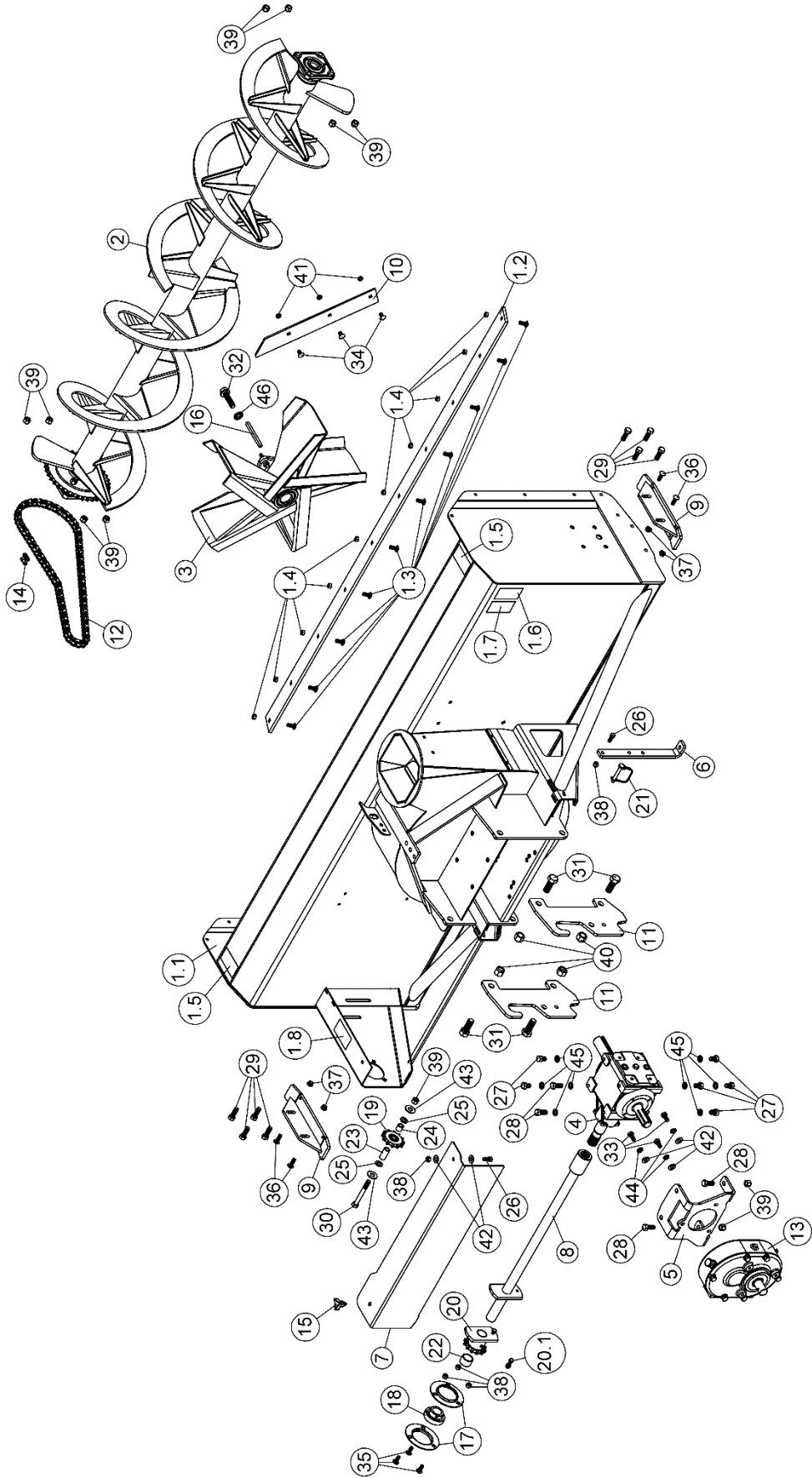
O/L = Obtain Locally / Obtenir localement

Part numbers starting with 500XXX are not available for sale, however, separate parts are available for sale individually.

Les numéros 500xxx ne sont pas disponibles pour la vente. Au besoin, veuillez commander les numéros de pièces séparément.

Parts breakdown

NOMENCLATURE ET LISTE DES PIÈCES / PARTS BREAKDOWN & PART LIST
Souffleuse assemblée 80" #501644
80" snowblower assembly #501644



Parts breakdown

NOMENCLATURE ET LISTE DES PIÈCES / PARTS BREAKDOWN & PART LIST Souffleuse assemblée 80" #501644 80" snowblower assembly #501644				
REF.	ENGLISH DESCRIPTION	DESCRIPTION FRANÇAISE	QTY.	PART#
1	80" Frame #110813-E02 w/ safety decals	Châssis 80" #110813-E02 a/ déc. de sécurité	1	110814
1.1	80" Frame	Châssis 80"	1	110813-E02
1.2	Cutting edge 80"	Racloir 80"	1	110500
1.3	Carriage bolt 3/8" n.c. x 1 " GR5	Boulon à carrosserie 3/8" n.c. x 1 " GR5	10	O/L (320NC.5P_3-8x1)
1.4	Stover lock nut 3/8" n.c.	Écrou de blocage 3/8" n.c.	10	O/L (338NC.P_3-8)
1.5	Decal Danger Auger	Décalque Danger Vis	2	108550
1.6	Decal Read Instructions	Décalque lire Instructions	1	108551
1.7	Decal Maintenance	Décalque Maintenance	1	108556
1.8	Decal Warning Gear	Décalque Danger Engrenage	1	108555
2	80" auger assembly	Vis assemblée 80"	1	501646
3	5 blades 24" fan assembly	Éventail à 5 pales 24" assemblée	1	501645
4	Gear Box	Boîte d'engrenage	1	110008
5	Gearbox support	Support de boîte d'engrenage	1	110819
6	Parking stand	Pied de stationnement	1	110502
7	80" shaft guard	Garde de l'arbre 80"	1	110818-E02
8	Drive shaft 80"	Arbre de commande 80"	1	110504
9	Skid shoe	Patin	2	110505
10	Reinforcement	Renfort	1	110506
11	Mounting plate	Plaque d'attache	2	110833
12	Chain #60 x 84 Links W/ Conn. Link	Chaîne #60 x 84 Mailles A/ Maille Acc.	1	110509
13	Reduction gearbox 13:38	Boîte de réduction 13:38	1	110359
14	Connecting link #60	Maille d'accouplement #60	1	108650
15	Knob	Bouton	1	106861
16	Rounded ends key 3/8" x 3/8" x 4 1/2"	Clé à bouts arrondis 3/8" x 3/8" x 4 1/2"	1	109901
17	Flangette	Flangette	2	106372
18	Bearing with set screw	Roulement à billes avec vis à pression	1	106371
19	Idler sprocket SI60A12H with bearing	Pignon tendeur SI60A12H avec roulement	1	106152
20	Sprocket 60SB12H w/ Shear Pin	Pignon 60SB12H a/ Goupille de Cisaillement	1	106151
20.1	Shear bolt / H.N. / lock washer (auger) pkg-10	B. de séc. / E.H. / r. blocage (vis) pqt-10	1	106983
21	Lock pin	Tige de verrouillage	1	103563
22	Sleeve	Douille	1	110121
23	Sleeve	Douille	1	110142
24	Sleeve	Douille	1	110143

O/L = Obtain Locally / Obtenir localement

Part numbers starting with 500XXX are not available for sale, however, separate parts are available for sale individually.

Les numéros 500xxx ne sont pas disponibles pour la vente. Au besoin, veuillez commander les numéros de pièces séparément.

Parts breakdown

NOMENCLATURE ET LISTE DES PIÈCES / PARTS BREAKDOWN & PART LIST Souffleuse assemblée 80" #501644 80" snowblower assembly #501644				
REF.	ENGLISH DESCRIPTION	DESCRIPTION FRANÇAISE	QTY.	PART#
25	Spacer thin	Espaceur mince	2	110043
26	Hex. bolt 3/8" n.c. x 1" GR5	Boulon hex. 3/8" n.c. x 1" GR5	2	O/L (300NC.5P_3-8x1)
27	Hex. bolt 1/2" n.c. x 3/4" GR5	Boulon hex. 1/2" n.c. x 3/4" GR5	6	O/L (300NC.5P_1-2x3-4)
28	Hex. bolt 1/2" n.c. x 1 1/4" GR5	Boulon hex. 1/2" n.c. x 1 1/4" GR5	4	O/L (300NC.5P_1-2x1-1-4)
29	Hex. bolt 1/2" n.c. x 1 1/2" GR5	Boulon hex. 1/2" n.c. x 1 1/2" GR5	8	O/L (300NC.5P_1-2x1-1-2)
30	Hex. bolt 1/2" n.c. x 4 1/4" GR5	Boulon hex. 1/2" n.c. x 4 1/4" GR5	1	O/L (300NC.5P_1-2x4-1-4)
31	Hex. bolt 3/4" n.c. x 2" GR5	Boulon hex. 3/4" n.c. x 2" GR5	4	O/L (300NC.5P_3-4x2)
32	Hex. flange bolt 5/8" n.c. x 2 1/2" GR8	Boulon hex. à bride 5/8" n.c. x 2 1/2" GR8	1	O/L (301NC.8P_5-8x2-1-2)
33	Hex. bolt M10 x 1.50 x 25 GR8.8	Boulon hex. M10 x 1.50 x 25 GR8.8	3	O/L (310.8.8P_M10X1.50X25)
34	Carriage bolt 3/8" n.c. x 3/4" GR5	Boulon à carrosserie 3/8" n.c. x 3/4" GR5	3	O/L (320NC.5P_3-8x3-4)
35	Carriage bolt 3/8" n.c. x 1" GR5	Boulon à carrosserie 3/8" n.c. x 1" GR5	3	O/L (320NC.5P_3-8x1)
36	Carriage bolt 3/8" n.c. x 1 1/4" GR5	Boulon à carrosserie 3/8" n.c. x 1 1/4" GR5	4	O/L (320NC.5P_3-8x1-1-4)
37	Flange nut 3/8" n.c.	Écrou à bride 3/8" n.c.	4	O/L (334NC.P_3-8)
38	Nylon Insert Lock Nut 3/8" n.c.	Écrou à garniture de nylon 3/8" n.c.	5	O/L (335NC.P_3-8)
39	Nylon Insert lock Nut 1/2" n.c.	Écrou à garniture de nylon 1/2" n.c.	11	O/L (335NC.P_1-2)
40	Nylon Insert lock Nut 3/4" n.c.	Écrou à garniture de nylon 3/4" n.c.	4	O/L (335NC.P_3-4)
41	Nylon insert lock nut 3/8" n.c. (thin)	Écrou à garniture de nylon 3/8" n.c. (mince)	3	O/L (336NC.P_3-8)
42	Flat washer 7/16" hole	Rondelle plate 7/16" trou	5	O/L (360.P_7-16T)
43	Flat washer 9/16" hole	Rondelle plate 9/16" trou	2	O/L (360.P_9-16T)
44	Lock washer 7/16"	Rondelle de blocage 7/16"	3	O/L (362.P_7-16)
45	Lock washer 1/2"	Rondelle de blocage 1/2"	8	O/L (362.P_1-2)
46	Wedge lock washer 5/8"	Rondelle de blocage en coin 5/8"	1	O/L (364.Z_5-8)

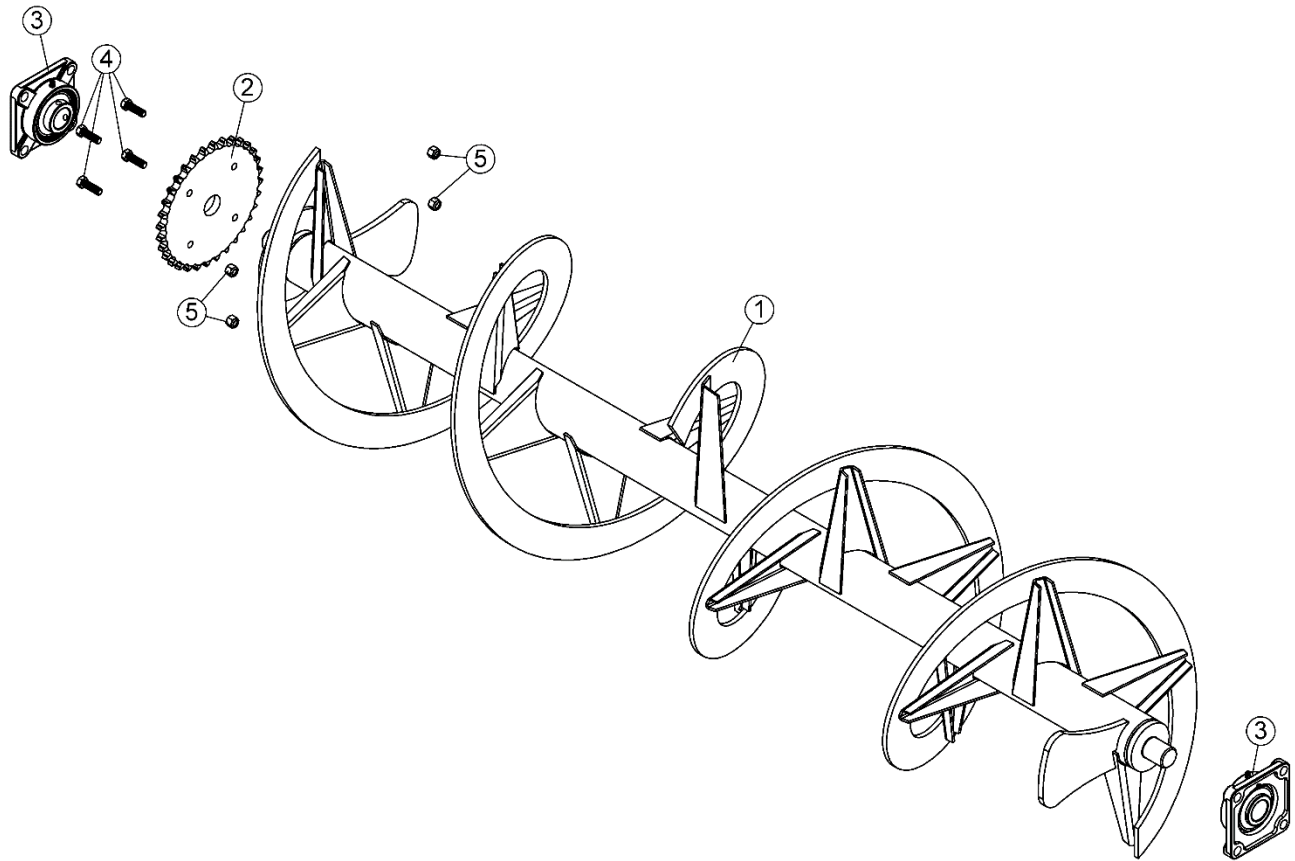
O/L = Obtain Locally / Obtenir localement

Part numbers starting with 500XXX are not available for sale, however, separate parts are available for sale individually.

Les numéros 500xxx ne sont pas disponibles pour la vente. Au besoin, veuillez commander les numéros de pièces séparément.

Parts breakdown

NOMENCLATURE ET LISTE DES PIÈCES / PARTS BREAKDOWN & PART LIST Vis assemblée 72" #501519 72" auger assembly #501519				
REF.	ENGLISH DESCRIPTION	DESCRIPTION FRANÇAISE	QTY.	PART#
1	Auger 72"	Vis 72"	1	109884
2	Sprocket	Pignon	1	106155
3	Flange Mounted Bearing with set screws	Roulement Appliqué avec vis à pression	2	106150
4	Hex. bolt 3/8" n.c. x 1 1/4" GR5	Boulon hex. 3/8" n.c. x 1 1/4" GR5	4	O/L (300NC.5P_3-8x1-1-4)
5	Nylon Insert Lock Nut 3/8" n.c.	Écrou à garniture de nylon 3/8" n.c.	4	O/L (335NC.P_3-8)



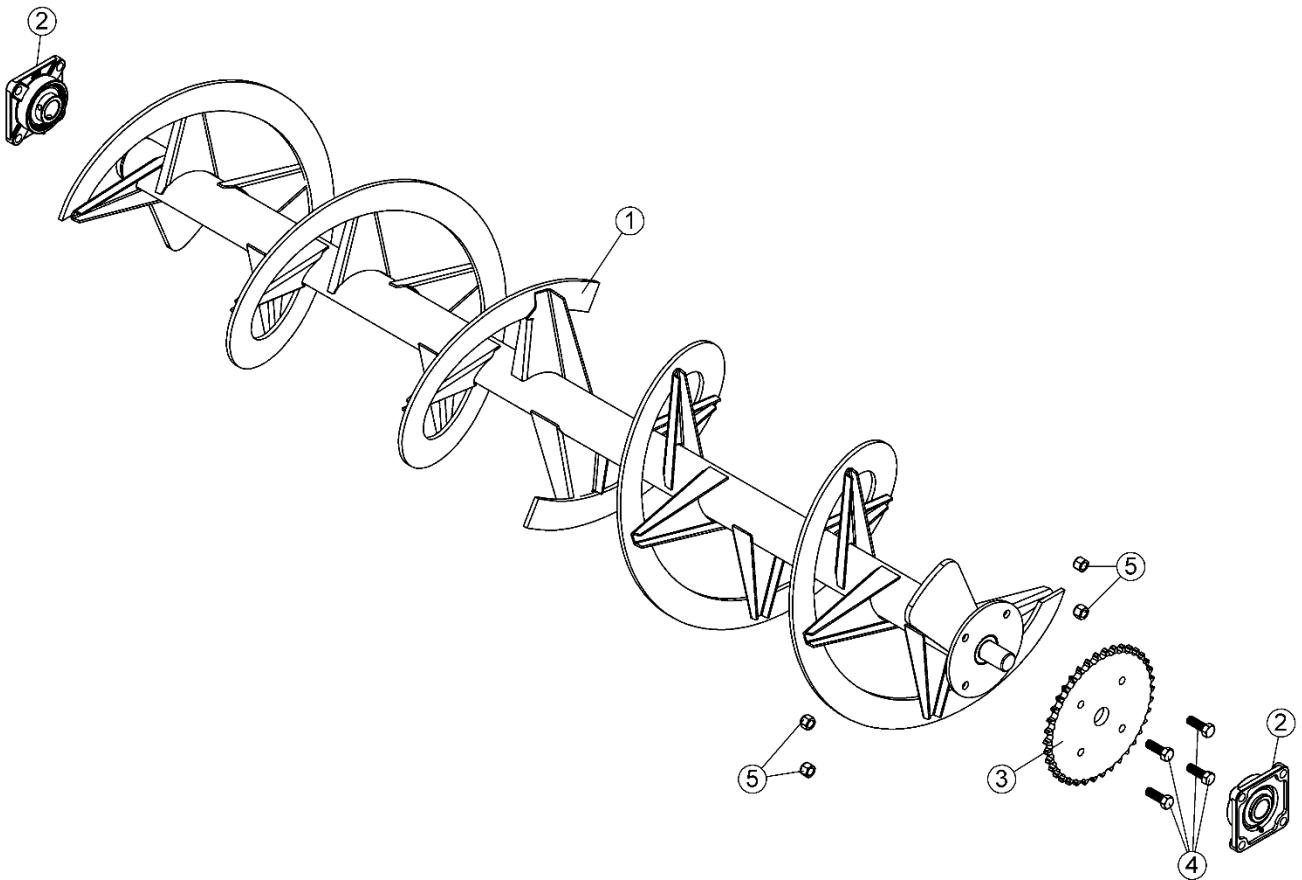
O/L = Obtain Locally / Obtenir localement

Part numbers starting with 500XXX are not available for sale, however, separate parts are available for sale individually.

Les numéros 500xxx ne sont pas disponibles pour la vente. Au besoin, veuillez commander les numéros de pièces séparément.

Parts breakdown

NOMENCLATURE ET LISTE DES PIÈCES / PARTS BREAKDOWN & PART LIST				
Vis assemblée 80" #501646				
80" auger assembly #501646				
REF.	ENGLISH DESCRIPTION	DESCRIPTION FRANÇAISE	QTY.	PART#
1	Auger 80"	Vis 80"	1	110817
2	Flange Mounted Bearing with set screws	Roulement Appliqué avec vis à pression	2	106150
3	Sprocket 60A38	Pignon 60A38	1	108089
4	Hex. bolt 1/2" n.c. x 1 1/2" GR5	Boulon hex. 1/2" n.c. x 1 1/2" GR5	4	O/L (300NC.5P_1-2x1-1-2)
5	Nylon Insert lock Nut 1/2" n.c.	Écrou à garniture de nylon 1/2" n.c.	4	O/L (335NC.P_1-2)



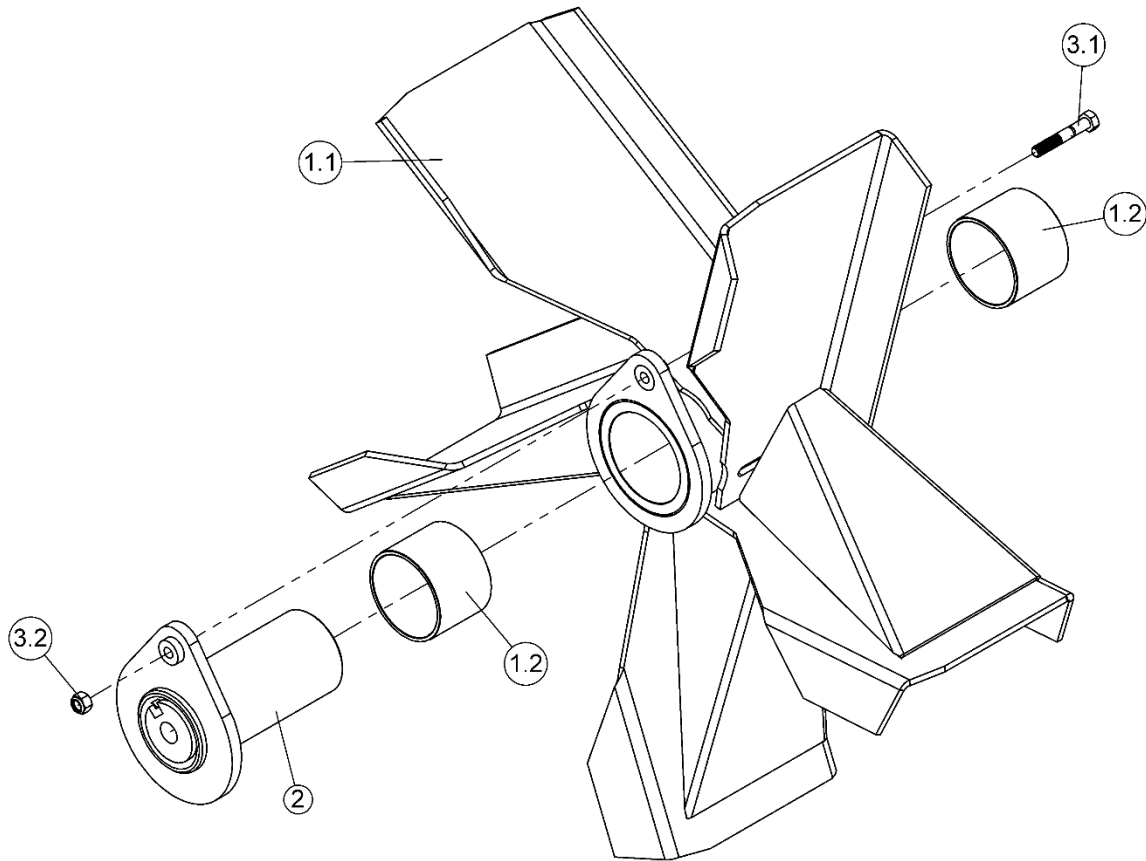
O/L = Obtain Locally / Obtenir localement

Part numbers starting with 500XXX are not available for sale, however, separate parts are available for sale individually.

Les numéros 500xxx ne sont pas disponibles pour la vente. Au besoin, veuillez commander les numéros de pièces séparément.

Parts breakdown

NOMENCLATURE ET LISTE DES PIÈCES / PARTS BREAKDOWN & PART LIST				
Évantail à 5 pales 24" assemblée #501645				
5 blades 24" fan assembly #501645				
REF.	ENGLISH DESCRIPTION	DESCRIPTION FRANÇAISE	QTY.	PART#
1	5 blades 24" fan with bushings	Évantail 5 pales 24" avec cousinnets	1	110815
1.1	5 blades 24" fan	Évantail 5 pales 24"	1	110816
1.2	Oil lite bushing	Coussinet imprégné d'huile	2	109843
2	Shear plate	Plaque de cisaillement	1	109842
3	SHEAR BOLT W/N.I.L.N. (FAN) - PKG OF 10	BOULON SEC. A/E.G.N.(EVENTAIL)-PQT 10	1	109871
3.1	Shear Bolt	Boulon de Sécurité	1	109879
3.2	Nylon Insert lock Nut 5/16" n.c. GR5	Écrou à garniture de nylon 5/16" n.c. GR5	1	O/L (335NC.P_5-16)



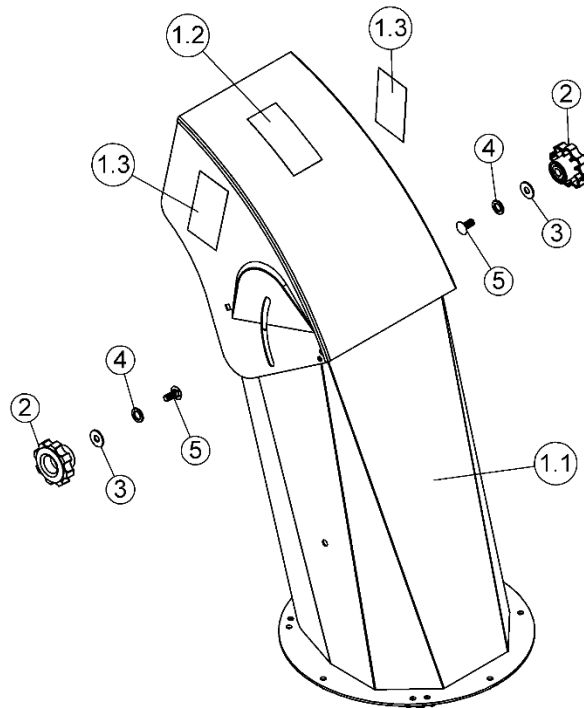
O/L = Obtain Locally / Obtenir localement

Part numbers starting with 500XXX are not available for sale, however, separate parts are available for sale individually.

Les numéros 500xxx ne sont pas disponibles pour la vente. Au besoin, veuillez commander les numéros de pièces séparément.

Parts breakdown

NOMENCLATURE ET LISTE DES PIÈCES / PARTS BREAKDOWN & PART LIST Goulotte assemblée #501379 Chute assembly #501379				
REF.	ENGLISH DESCRIPTION	DESCRIPTION FRANÇAISE	QTY.	PART#
1	Chute #106354 with safety decal	Goulotte #106354 a/ déc. de sécurité	1	108523
1.1	Chute	Goulotte	1	106354
1.2	Decal Danger Chute	Décalque Danger Goulotte	1	108553
1.3	Decal Caution Projections	Décalque Attention Projections	2	108557
2	Knob	Bouton	2	102020
3	Nylon flat washer 11/32"	Rondelle plate de nylon 11/32"	2	102009
4	Nylon flat washer 7/16"	Rondelle plate de nylon 7/16"	2	102011
5	Carriage bolt 5/16" n.c. x 3/4 " GR5	Boulon à carrosserie 5/16" n.c. x 3/4 " GR5	2	O/L (320NC.5Z_5-16x3-4)



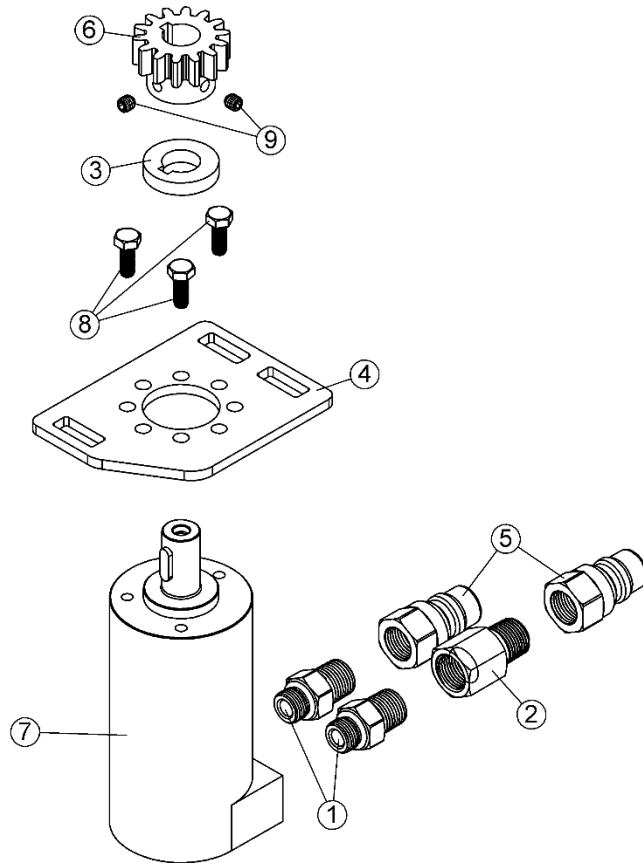
O/L = Obtain Locally / Obtenir localement

Part numbers starting with 500XXX are not available for sale, however, separate parts are available for sale individually.

Les numéros 500xxx ne sont pas disponibles pour la vente. Au besoin, veuillez commander les numéros de pièces séparément.

Parts breakdown

NOMENCLATURE ET LISTE DES PIÈCES / PARTS BREAKDOWN & PART LIST				
Moteur assemblé #501597				
Motor assembly #501597				
REF.	ENGLISH DESCRIPTION	DESCRIPTION FRANÇAISE	QTY.	PART#
1	Adapter straight 3/8" ORB 6 M. x 3/8" NPTF M.	Adaptateur droit 3/8" ORB 6 M. x 3/8" NPTF M.	2	110483
2	Adapter 3/8" NPTF F._3/8" NPTF M.	Adaptateur 3/8" NPTF F._3/8" NPTF M.	1	110484
3	Spacer	Espaceur	1	107471
4	Support plate	Plaque de support	1	106366
5	Quick nipple 3/8" ISO A_3/8" NPTF F.	Connecteur rapide mâle 3/8" ISO A_3/8" NPTF F.	2	105917
6	Gear 14 teeth	Pignon 14 dents	1	105887
7	Hydraulic motor with key	Moteur Hydraulique avec clé	1	105783
8	Hex. bolt M6 x 1.00 x 16 GR8.8	Boulon hex. M6 x 1.00 x 16 GR8.8	3	O/L (310.8.8P_M6X1.00X16)
9	Socket head set screw 1/4" n.c. x 1/4" (knurled)	Vis à pression à tête plate 6PC 1/4" n.c. x 1/4" (moletée)	2	O/L (391NC.N_1-4x1-4)



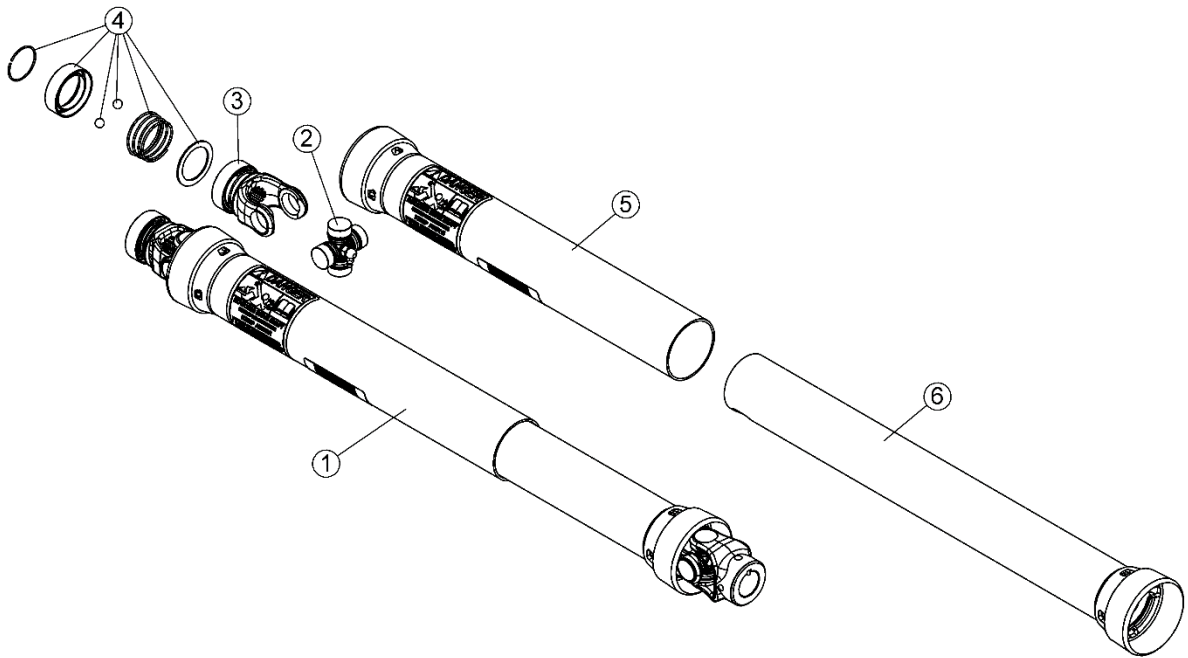
O/L = Obtain Locally / Obtenir localement

Part numbers starting with 500XXX are not available for sale, however, separate parts are available for sale individually.

Les numéros 500xxx ne sont pas disponibles pour la vente. Au besoin, veuillez commander les numéros de pièces séparément.

Parts breakdown

NOMENCLATURE ET LISTE DES PIÈCES / PARTS BREAKDOWN & PART LIST Nécessaire de réparation pour #108097 Repair kit for #108097				
REF.	ENGLISH DESCRIPTION	DESCRIPTION FRANÇAISE	QTY.	PART#
1	PTO driveshaft	Arbre à cardan	1	108097
2	Universal Joint Kit	Croix de Joint Universel	1	107445
3	Quick disconnect yoke ass.	Fourche à désengagement rapide	1	102158
4	Spring lock repair kit for PTO	Nécessaire de réparation pour PDF	1	102159
5	Outer guard	Garde extérieur	1	108445
6	Inner guard	Garde intérieur	1	108446



O/L = Obtain Locally / Obtenir localement







Part numbers starting with 500XXX are not available for sale, however, separate parts are available for sale individually.







Les numéros 500xxx ne sont pas disponibles pour la vente. Au besoin, veuillez commander les numéros de pièces séparément.

Torque specification table

Torque specification table

- The following table shows the minimum torque requirement
- Maximum is 15% more than the minimum (example: min100 Nm -> max is 115Nm)
- If specific thread is not specified in the part list or manual, the bolt thread is coarse
- N m = Newton x meter
- Ft-lb = foot pounds
- If bolt is lubricated, divide the torque value by 1.33

IMPERIAL THREAD														
Nominal Thread Diameter	Thread / inch	UNC						UNF						
		Grade 2		Grade 5		Grade 8		Grade 2		Grade 5		Grade 8		
								N m	Ft-lb	N m	Ft-lb	N m	Ft-lb	N m
1/4"	20	7.4	5.6	11	8	16	12	28	8.5	6	13	10	18	14
5/16"	18	15	11	24	17	33	25	24	17	13	26	19	37	27
3/8"	16	27	20	42	31	59	44	24	31	22	47	35	67	49
7/16"	14	43	32	67	49	95	70	20	49	36	75	55	105	78
1/2"	13	66	49	105	76	145	105	20	75	55	115	85	165	120
9/16	12	95	70	150	110	210	155	18	105	79	165	120	235	170
5/8	11	130	97	205	150	285	210	18	150	110	230	170	325	240
3/4	10	235	170	360	265	510	375	16	260	190	405	295	570	420
7/8	9	225	165	585	430	820	605	14	250	185	640	475	905	670
1	8	340	250	875	645	1230	910	12	370	275	955	705	1350	995
1-1/8	7	480	355	1080	795	1750	1290	12	540	395	1210	890	1960	1440
1-1/4	7	680	500	1520	1120	2460	1820	12	750	555	1680	1240	2730	2010
1-3/8	6	890	655	1990	1470	3230	2380	12	1010	745	2270	1670	3680	2710

METRIC THREAD														
Nominal Thread Diameter	Pitch (mm)	COARSE THREAD						FINE THREAD						
		Class 5.8		Class 8.8		Class 10.9		Class 5.8		Class 8.8		Class 10.9		
								N m	Ft-lb	N m	Ft-lb	N m	Ft-lb	N m
M5	0.8	4	3	6	5	9	7	-	-	-	-	-	-	-
M6	1	7	5	11	8	15	11	-	-	-	-	-	-	-
M8	1.25	17	12	26	19	36	27	1	18	13	28	21	39	29
M10	1.5	33	24	52	39	72	53	0.75	39	29	61	45	85	62
M12	1.75	58	42	89	67	125	93	1.25	58	42	95	70	135	99
M14	2	92	68	145	105	200	150	1.5	99	73	155	115	215	160
M16	2	145	105	225	165	315	230	1.5	155	115	240	180	335	245
M18	2.5	195	145	310	230	405	300	1.5	220	165	350	260	485	355
M20	2.5	280	205	440	325	610	450	1.5	310	230	650	480	900	665
M24	3	480	355	760	560	1050	780	2	525	390	830	610	1150	845
M30	3.5	960	705	1510	1120	2100	1550	2	1060	785	1680	1240	2320	1710

LIMITED WARRANTY

Conditions and Products Covered:

BERCOMAC guarantees any part of the product or accessory manufactured by BERCOMAC and found in the reasonable judgment of BERCOMAC to be defective in material and or workmanship will be repaired or replaced by an authorized dealer without charge up to our maximum labor rates and pre-established times. For replacement parts only standard ground freight services are covered. This warranty extends to the original retail purchaser only and is not transferable to any subsequent purchasers. This warranty applies to the products bought and used in North America.

Warranty Period

(from date of the original retail purchase)

- Residential use: 2 years
- Semi-commercial, professional or rental use: 90 days

Exceptions Noted Below; the following items are guaranteed by the original manufacturer and have their own warranty, conditions and limited time:

- Tire Chains: 90 days
- Engines: Will vary as per the manufacturer
Please refer to the engine manufacturer's warranty statement included with the unit. BERCOMAC is not authorized to handle warranty adjustments on engines.

Items and Conditions NOT Covered:

This warranty does not cover the following:

- Pick-up or delivery charges or in-home services fees.
- Any damage or deterioration of the unit, parts and or finish of these due to normal use, wear and tear, or exposure.
- Cost of regular use or maintenance service or parts, such as gas, oil, lubricants, tune-up parts, and adjustments.
- Any part or accessory which has been altered, modified, misused, neglected, accidentally damaged or not properly installed, maintained, stored or repaired not in accordance with the instructions in the owner's manual.
- Repair due to normal wear and or any wear items such as shear pins, bolts, belts, etc.
- Expedited freight fee services for replacement parts.
- Shear bolts and shear pins are to be considered as a preventive measure not as an assured protection, any damages resulting from the lack of shear bolts breakage are not covered.
- Damages due to product being installed on a vehicle other than stipulated in owner's manual.

NOTE: All warranty work must be performed by an authorized dealer using original (manufacturer) replacement parts.

NOTE: Bercomac reserves the right to change or improve the design of any part or accessory without assuming any obligation to modify any product previously manufactured.

Instructions for Obtaining Warranty Services:

Contact dealer where equipment was purchased or any other BERCO service dealer to arrange service at their dealership. Requests for warranty claims must be carried out through the same distribution network used to purchase the product. Don't forget to bring your proof of purchase (sales receipt) to the BERCOMAC dealer.

Owner's Responsibilities:

BERCOMAC's defective equipment or part must be returned to an authorized dealer within the warranty period for repairs. In the event that defective merchandise must be returned to manufacturer for repairs, freight fees are prepaid and a written authorization from BERCOMAC must be obtained by dealer prior to the shipment. This warranty extends only to equipment operated under normal conditions. To validate a warranty claim, it is the user's responsibility to maintain and service the unit as specified in the owner's manual or to have the unit serviced at their dealer at their expense.

General Conditions:

The sole liability of BERCOMAC with respect to this warranty shall be strictly and exclusively repair and replacement as mentioned herein. BERCOMAC shall not have any liability for any other costs, loss or damage, including but not limited to, any incidental or consequential loss or damage. Taking advantage of the warranty does not in any way extend the length or renewal of the warranty.

In particular, without being limited to, BERCOMAC shall have no liability or responsibility for:

- Travel time, overtime, after hours time or other extraordinary repair charges or relating to repairs and or replacements outside of normal business hours.
- Rental of like or similar replacement equipment during the period of any, repair or replacement work.
- Any communicating or travel charges.
- Loss or damage to person or property other than that covered by the terms of this warranty.
- Any claims for lost revenue, lost profit or any similar costs as a result of damage or repair.
- Attorney's fees.

BERCOMAC's responsibility in respect to claims is limited to making the required repairs or replacement without charge up to our maximum labor rates and pre-established times and no claim of breach of warranty shall be cause for cancellation or rescission of the contract of sale of any product or accessory. In no event recovery of any kind be greater than the amount of the purchase price of the product sold.

This warranty gives you specific legal rights. You may also have other rights, which vary from state to state.



***WHEN PERFORMANCE
& DEPENDABILITY
ARE NON NEGOTIABLE!***

**Bercomac Limitée
92, Fortin North, Adstock, Quebec, Canada, G0N 1S0**

WWW.BERCOMAC.COM

PRINTED IN CANADA

(ORIGINAL NOTICE)